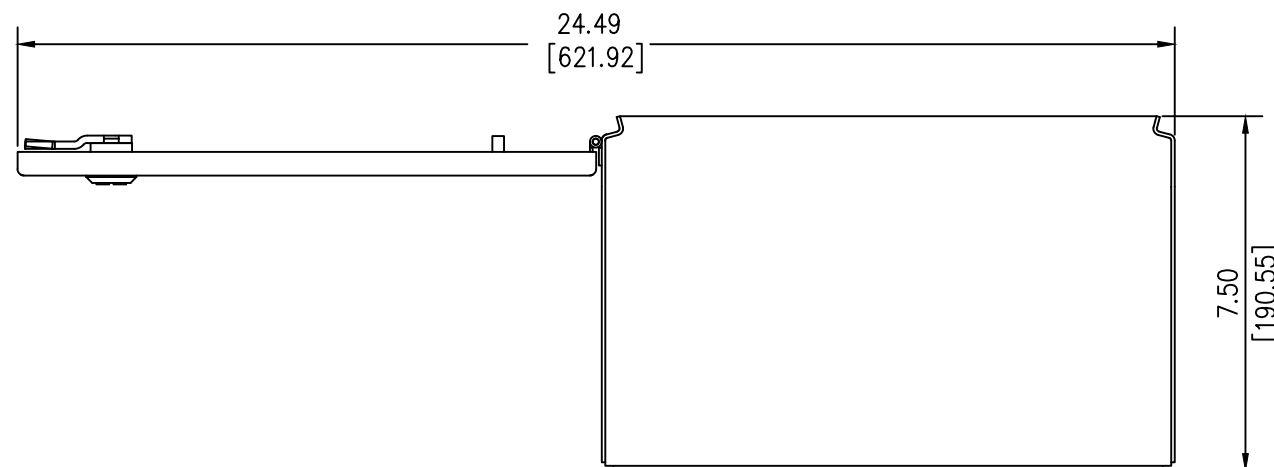
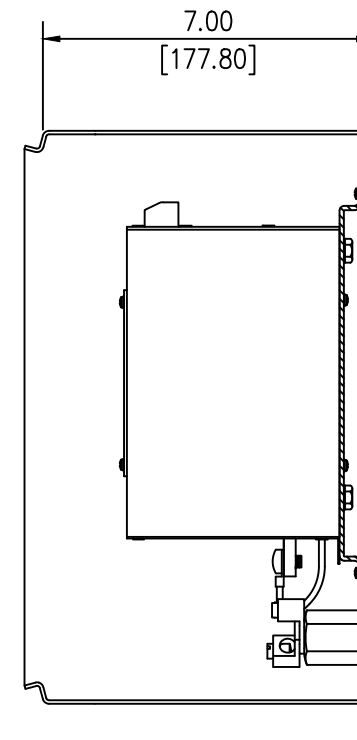
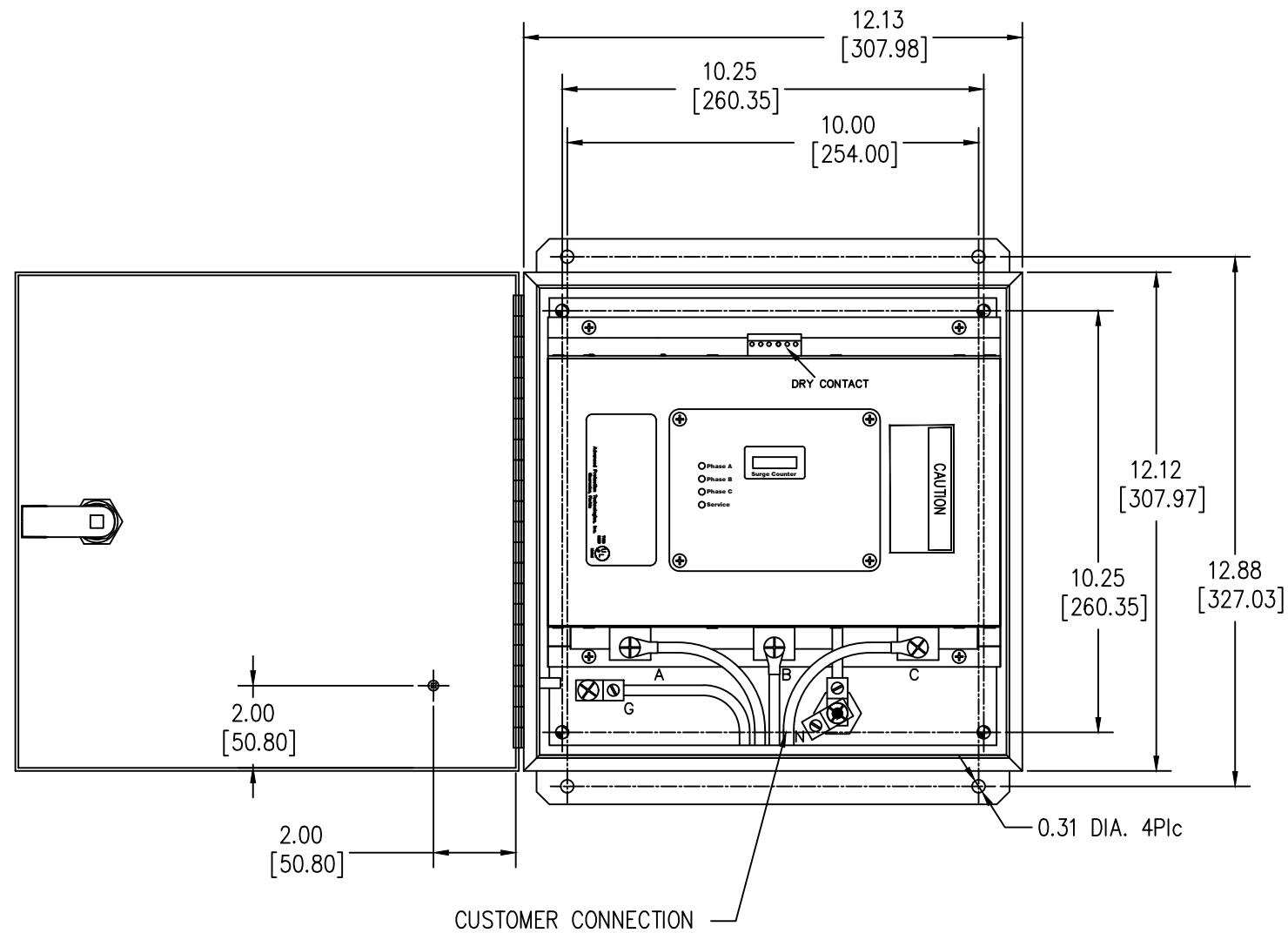


SURGE PROTECTIVE DEVICE (SPD)
WEIGHTS & DIMENSIONS
NEMA RATING: 4S STAINLESS STEEL



ENCLOSURE SPECS.
DESC: ENCLOSURE, HINGED
DIM: 12"H x 12"W x 7"D
MAT: STAINLESS STEEL, 14 GAUGE
FINISH: STAINLESS STEEL
NEMA RATING: 4S
DEVICE WEIGHT: 24.20LBS. (10.97KG.)

Rev	C.N.	Date	Unless otherwise specified dimensions are in inches. Tolerances are non-cumulative and are as follows unless specified otherwise. .XX ± .020 .XXX ± .005 Angular ± 2° Do not scale drawing		Confidential - Property of Siemens Industry, Inc. Building Technologies Division
			DRAWN H. DRIGGERS 8/17/09 ENGINEER M.JG 8/17/09 APPROVAL	TPS3-12 SERIES 400k-500k w/o DS NEMA RATING: 4S	
1					DWG NO. SIE_DW_TPS31250-4S SCALE NONE SHEET 1 of 1