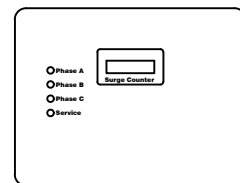
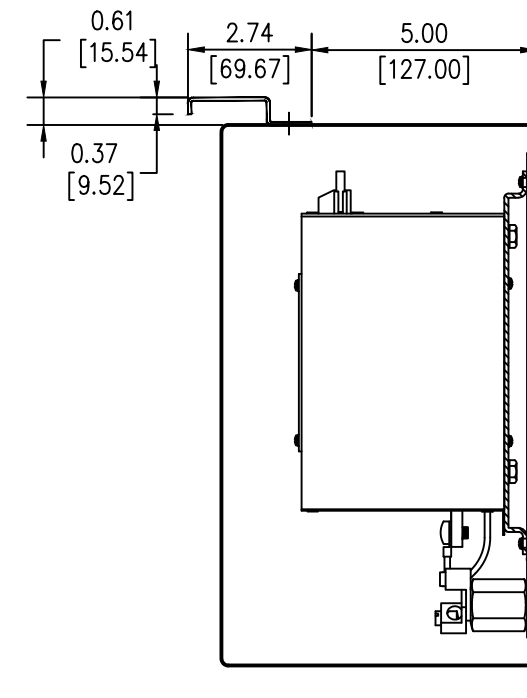
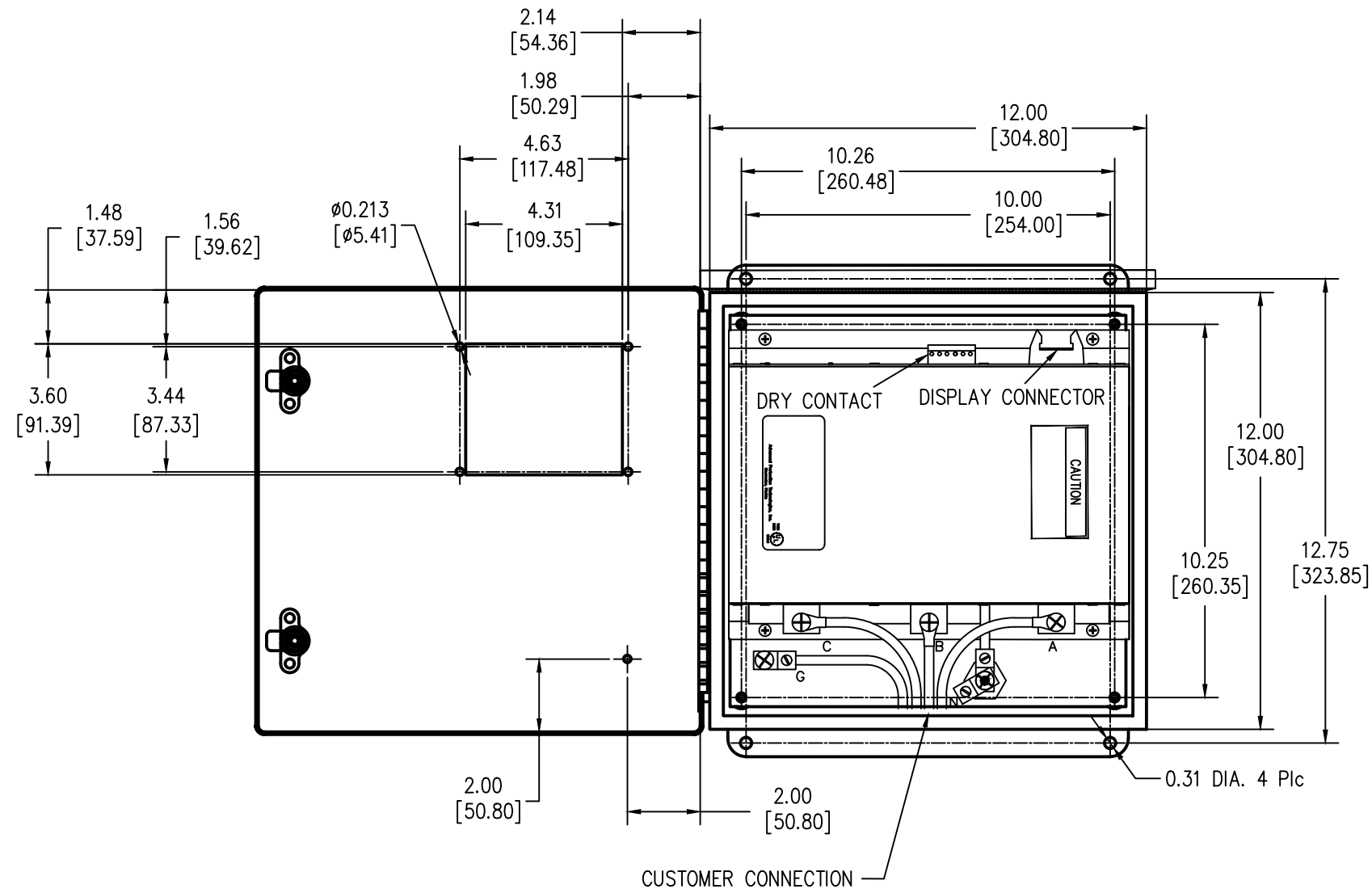


SURGE PROTECTIVE DEVICE (SPD)
WEIGHTS & DIMENSIONS
NEMA RATING: 1/12/3R/4



DISPLAY



ENCLOSURE SPECS.
DESC: ENCLOSURE, HINGED
DIM: 12"H x 12"W x 7"D
MAT: CARBON STEEL, 16 GAUGE
FINISH: POWDERCOAT ANSI 61 GRAY
NEMA RATING: 1/12/3R/4
DEVICE WEIGHT: 21.70LBS. (9.84KG.)

Rev	Date	C.N.	Unless otherwise specified dimensions are in inches. Tolerances are non-cumulative and are as follows unless specified otherwise.		Confidential - Property of Siemens Industry, Inc. Building Technologies Division
			.XX	± .020	
1	-	-	.XXX	± .005	TPS3-12 SERIES 400k-500k w/o DS NEMA RATING: 1/12/3R/4
			Angular	± 2'	
△ - Denotes latest changes. □ - Critical dimension.			DRAWN H. DRIGGERS 8/17/09 ENGINEER MJG 8/17/09 APPROVAL		DWG NO. SIE_DW_TPS31250-123R REV -
			SCALE NONE		SHEET 1 of 1