

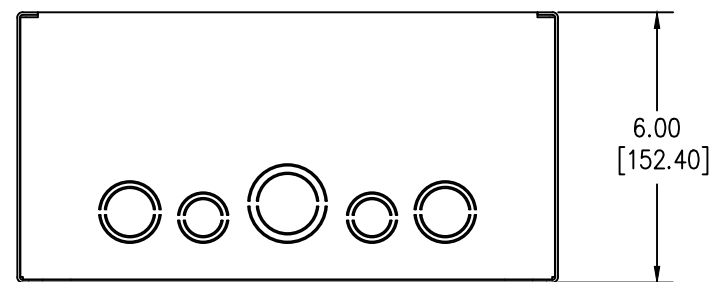
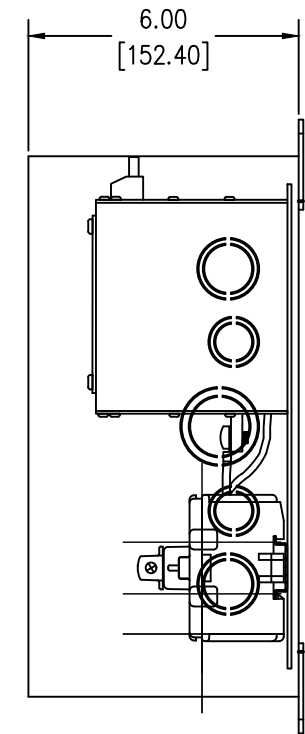
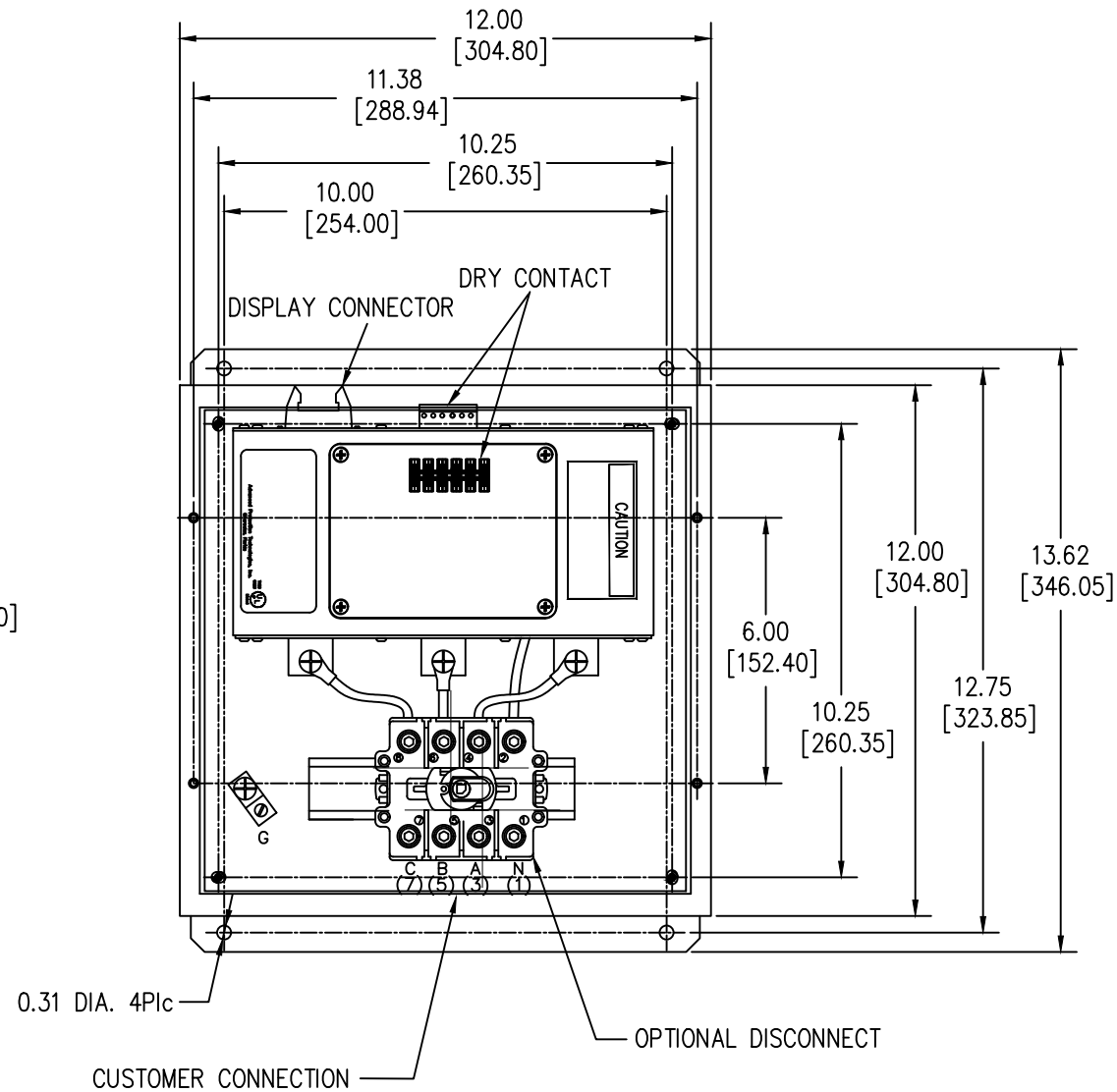
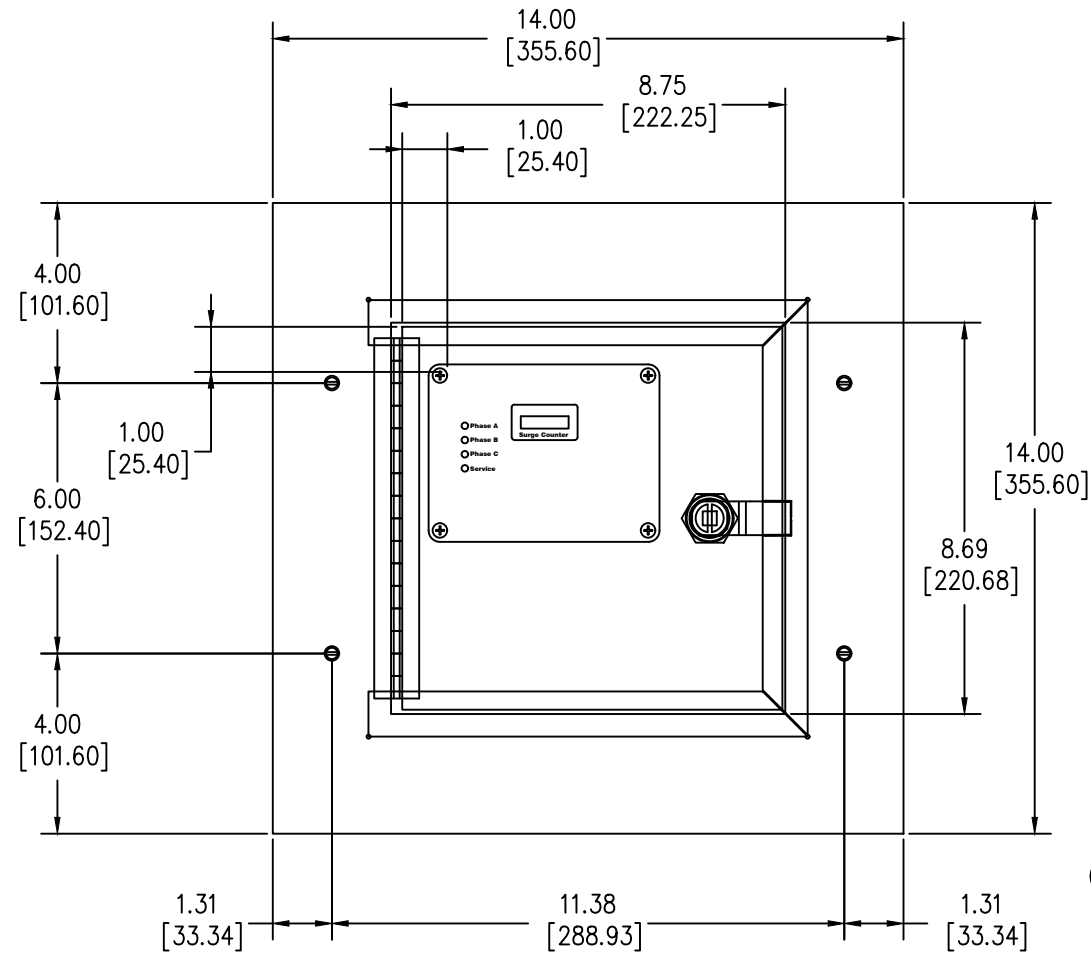
Rev -

Sht 1

Dwg. No. SIE_DW_TPS31230DS-FM1

BORDERD Autocad filename: SIE_DW_TPS31230DS-FM1

SURGE PROTECTIVE DEVICE (SPD) WEIGHTS & DIMENSIONS NEMA RATING: 1 FLUSHMOUNT



ENCLOSURE SPECS.
 DESC: ENCLOSURE, FLUSHMOUNT PULLBOX
 DIM: 12"H x 12"W x 6"D
 MAT: CARBON STEEL, 16 GAUGE
 FINISH: POWDERCOAT ANSI 61 GRAY
 NEMA RATING: 1
 DEVICE WEIGHT: 20.50LBS. (9.3KG.)

3-26-10	Date	Unless otherwise specified dimensions are in inches. Tolerances are non-cumulative and are as follows unless specified otherwise. .XX ± .020 .XXX ± .005 Angular ± 2° Do not scale drawing		Confidential - Property of Siemens Industry, Inc. Building Technologies Division
	C.N.	DRAWN H. DRIGGERS 8/17/09	TPS3-12 SERIES 100k-300k w/DS FLUSHMOUNT NEMA: 1	
Rev		ENGINEER M.JG 8/17/09	APPROVAL	DWG NO. SIE_DW_TPS31230DS-FM1
				SCALE NONE SHEET 1 of 1