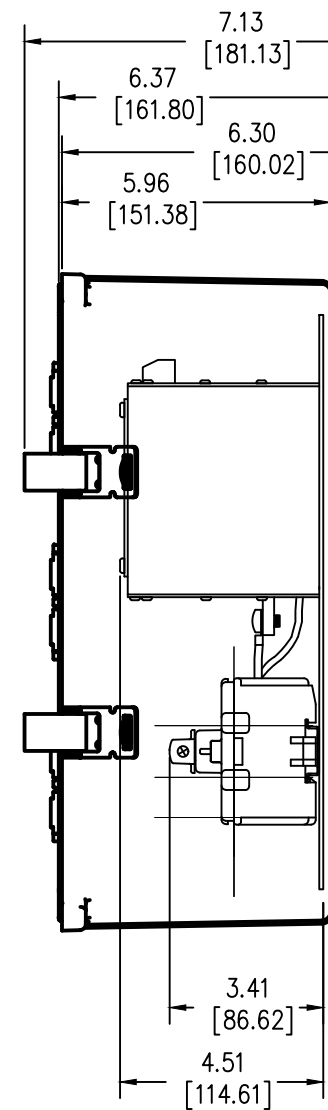
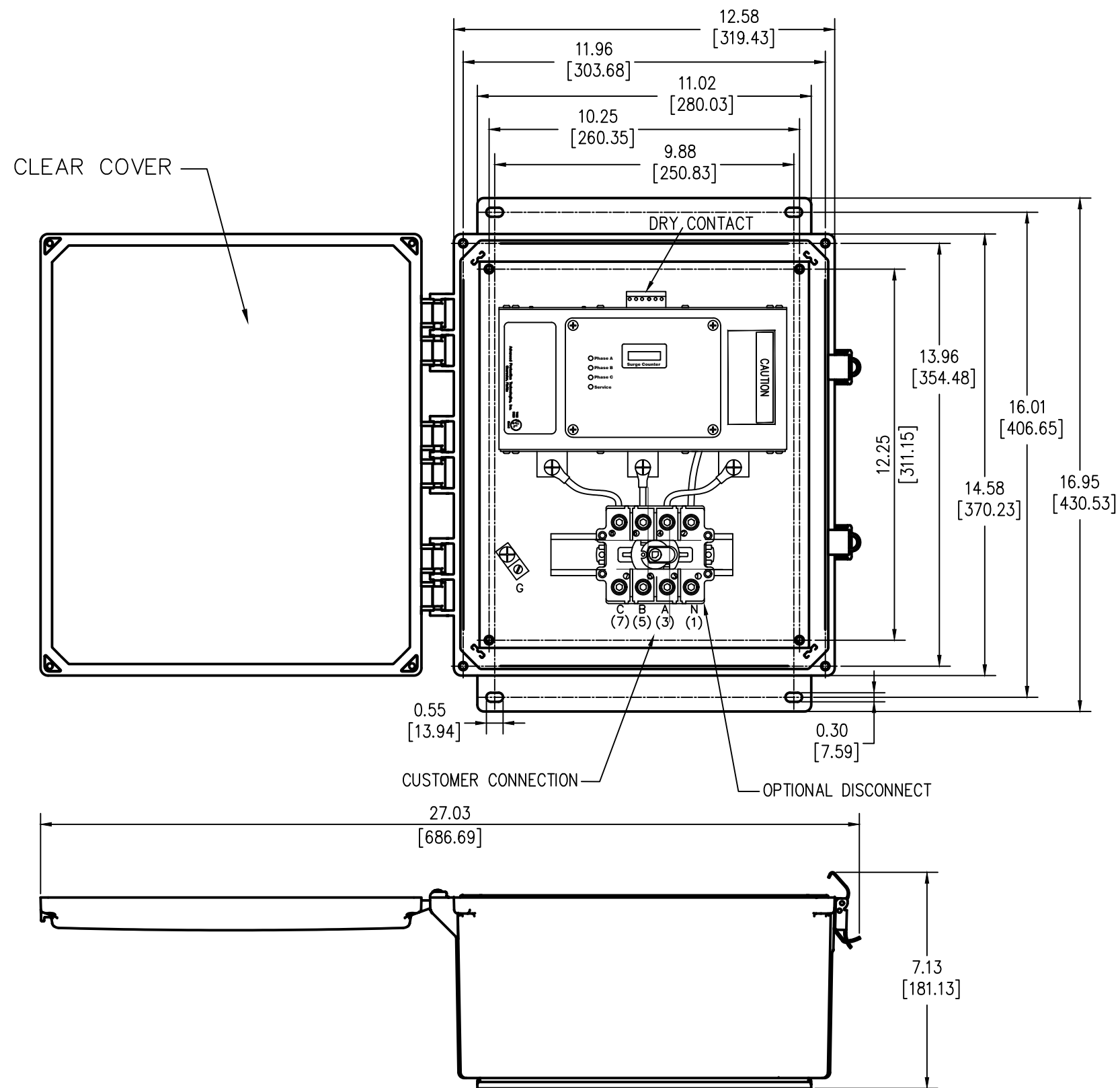


SURGE PROTECTIVE DEVICE (SPD)  
WEIGHTS & DIMENSIONS  
NEMA RATING: 4X NON METALLIC



ENCLOSURE SPECS.  
DESC: NON METALLIC ENCLOSURE, HINGED  
DIM: 14"H x 12"W x 7"D  
MAT: POLYCARBONATE  
FINISH: GRAY  
NEMA RATING: 4X  
DEVICE WEIGHT: 13.80LBS. (6.25KG.)

3-26-10	Date	Unless otherwise specified dimensions are in inches. Tolerances are non-cumulative and are as follows unless specified otherwise. .XX ± .020 .XXX ± .005 Angular ± 2° Do not scale drawing		Confidential - Property of <b>Siemens Industry, Inc.</b> Building Technologies Division
	C.N.	H. DRIGGERS	8/17/09	
	Rev	M.J.G.	8/17/09	DWG NO. SIE_DW_TPS31230DS-4X
				SCALE NONE SHEET 1 of 1