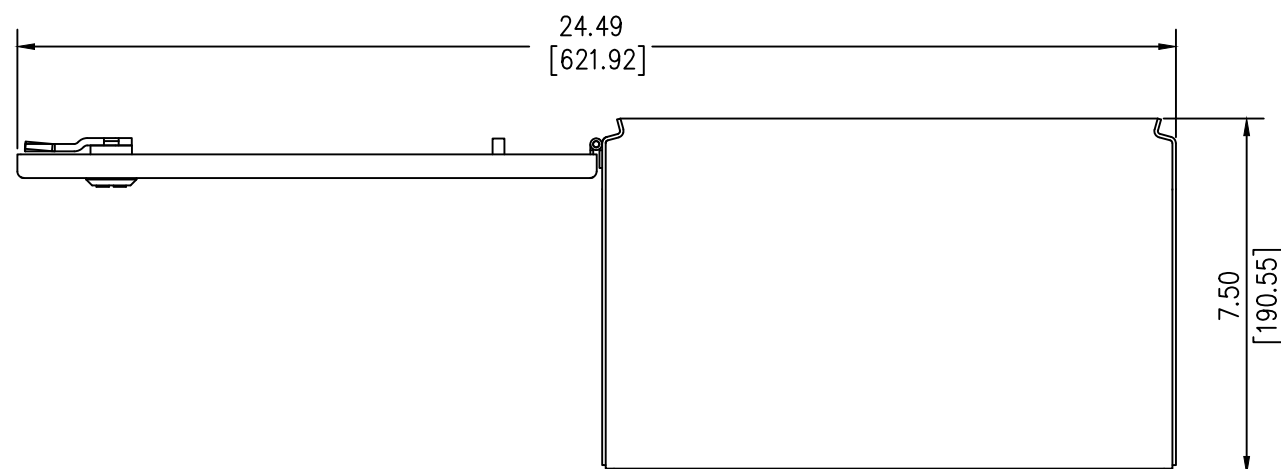
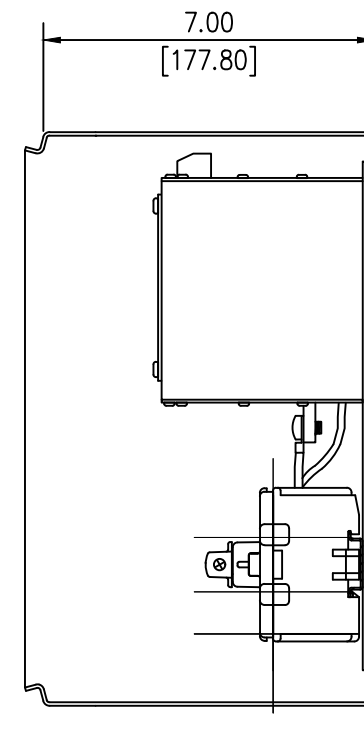
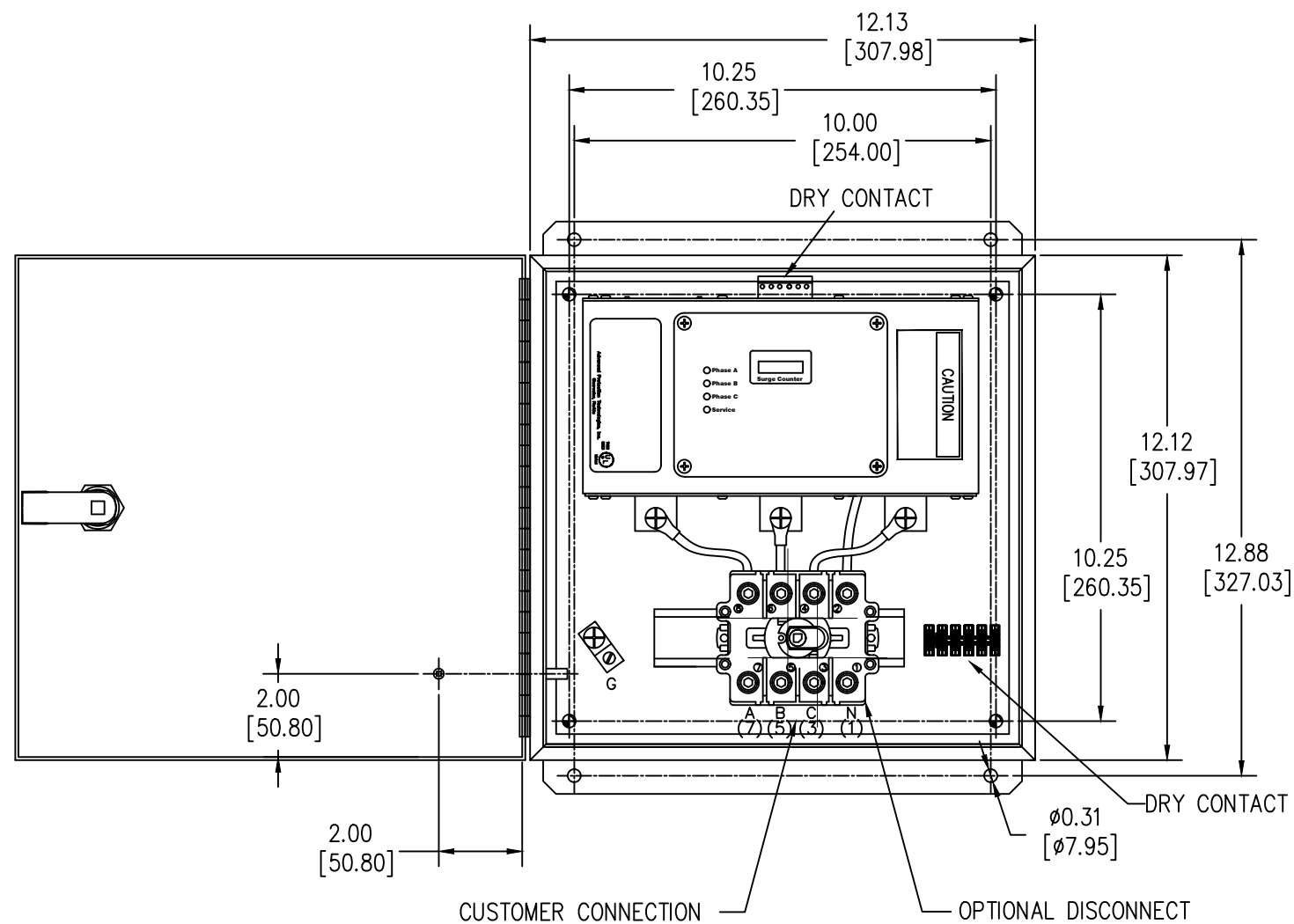


SURGE PROTECTIVE DEVICE (SPD)
WEIGHTS & DIMENSIONS
NEMA RATING: 4S STAINLESS STEEL



ENCLOSURE SPECS.
DESC: ENCLOSURE, HINGED
DIM: 12"H x 12"W x 7"D
MAT: STAINLESS STEEL, 14 GAUGE
FINISH: STAINLESS STEEL
NEMA RATING: 4S
DEVICE WEIGHT: 23.60LBS. (10.70KG.)

3-26-10	Date	Unless otherwise specified dimensions are in inches. Tolerances are non-cumulative and are as follows unless specified otherwise. .XX ± .020 .XXX ± .005 Angular ± 2' Do not scale drawing	Confidential - Property of Siemens Industry, Inc. Building Technologies Division
	C.N.	DRAWN H. DRIGGERS 8/17/09 ENGINEER M.JG 8/17/09 APPROVAL	TPS3-12 SERIES 100k-300k w/DS NEMA RATING: 4S
	Rev		DWG NO. SIE_DW_TPS31230DS-4S SCALE NONE SHEET 1 of 1