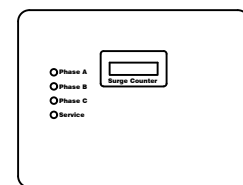
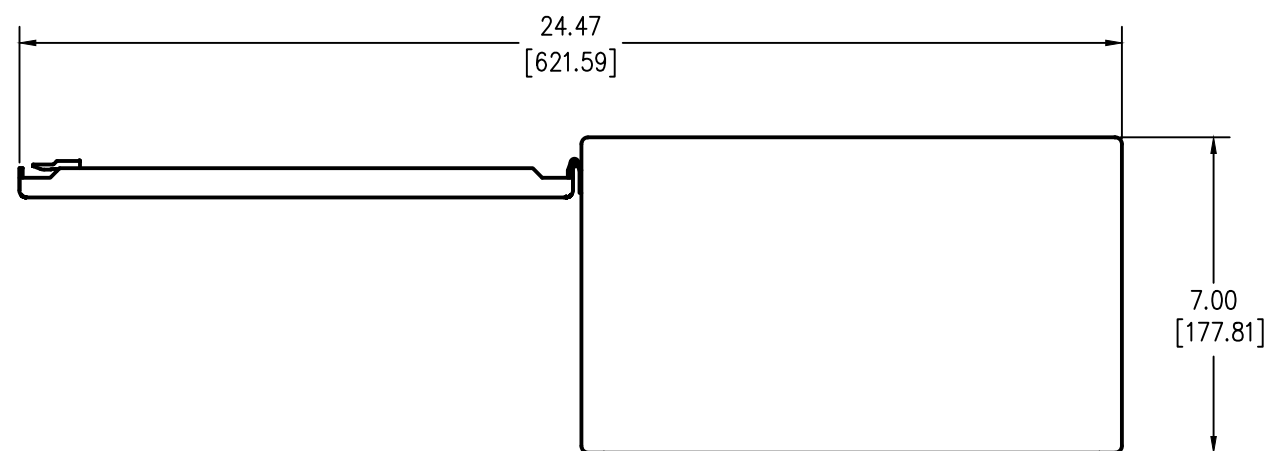
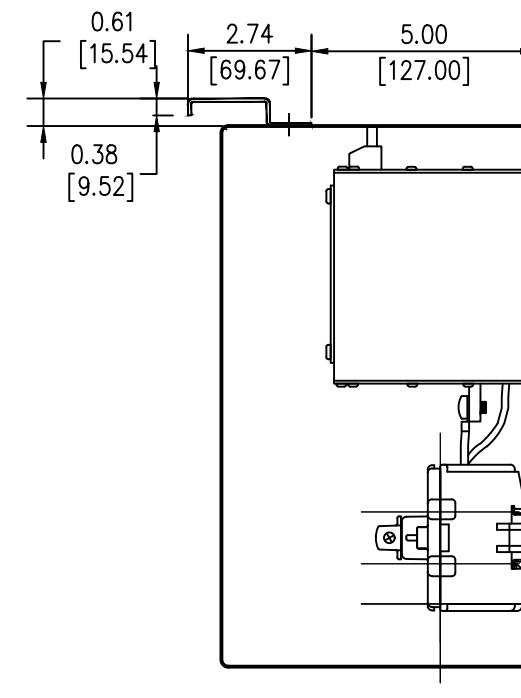
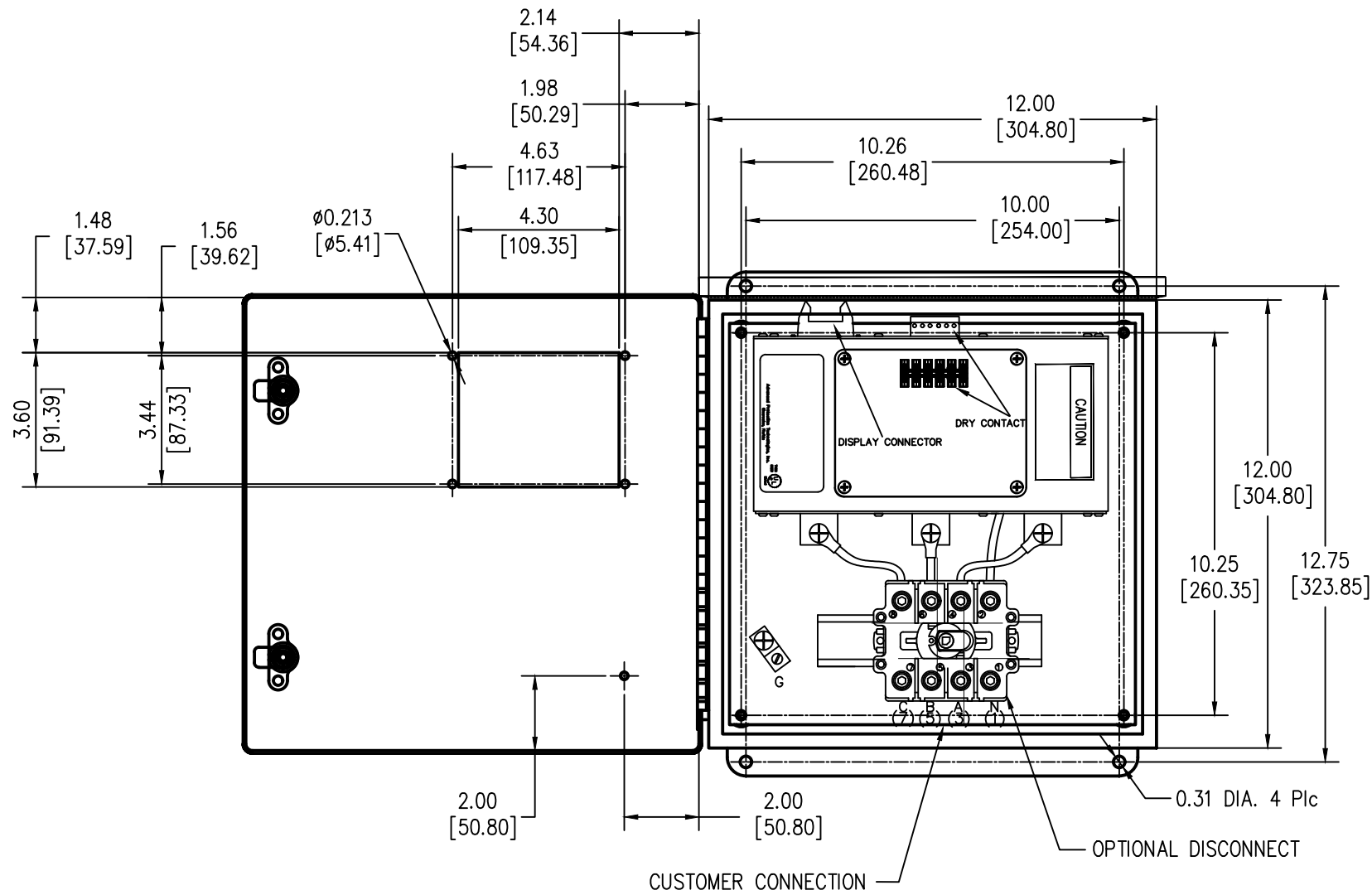


SURGE PROTECTIVE DEVICE (SPD)
WEIGHTS & DIMENSIONS
NEMA RATING: 1/12/3R/4



DISPLAY



ENCLOSURE SPECS.
DESC: ENCLOSURE, HINGED
DIM: 12"H x 12"W x 7"D
MAT: CARBON STEEL, 16 GAUGE
FINISH: POWDERCOAT ANSI 61 GRAY
NEMA RATING: 1/12/3R/4
DEVICE WEIGHT: 21.70LBS. (9.84KG.)

3-26-10	Date	Unless otherwise specified dimensions are in inches. Tolerances are non-cumulative and are as follows unless specified otherwise.		Confidential - Property of Siemens Industry, Inc. Building Technologies Division
	C.N.	.XX ± .020	.XXX ± .005	
	Rev	Angular ± 2'	Do not scale drawing	TPS3-12 SERIES 100k-300k w/DS NEMA RATING: 1/12/3R/4
		△ - Denotes latest changes.	□ - Critical dimension.	DWG NO. SIE_DW_TPS31230DS-123R REV -
				SCALE NONE SHEET 1 of 1