

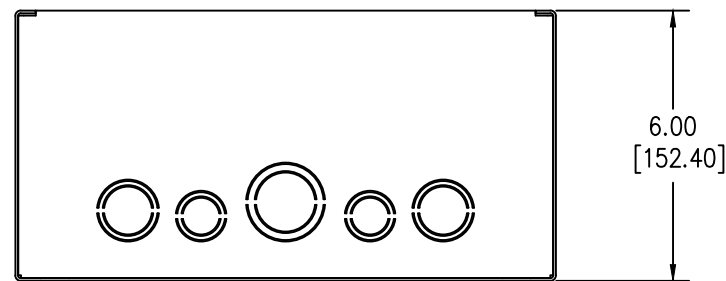
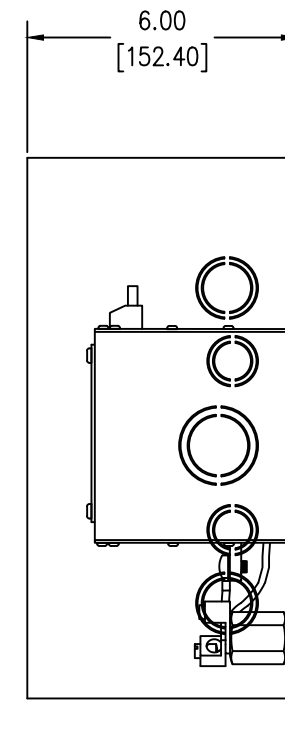
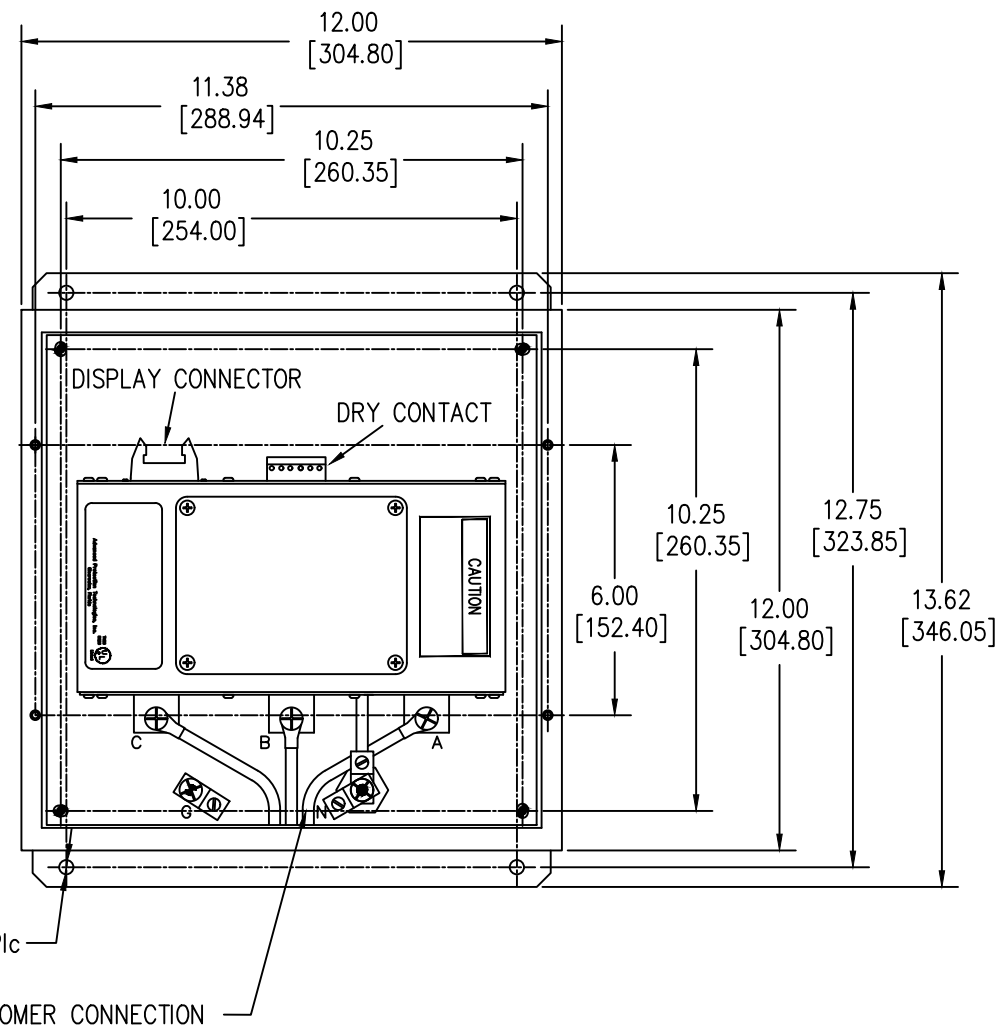
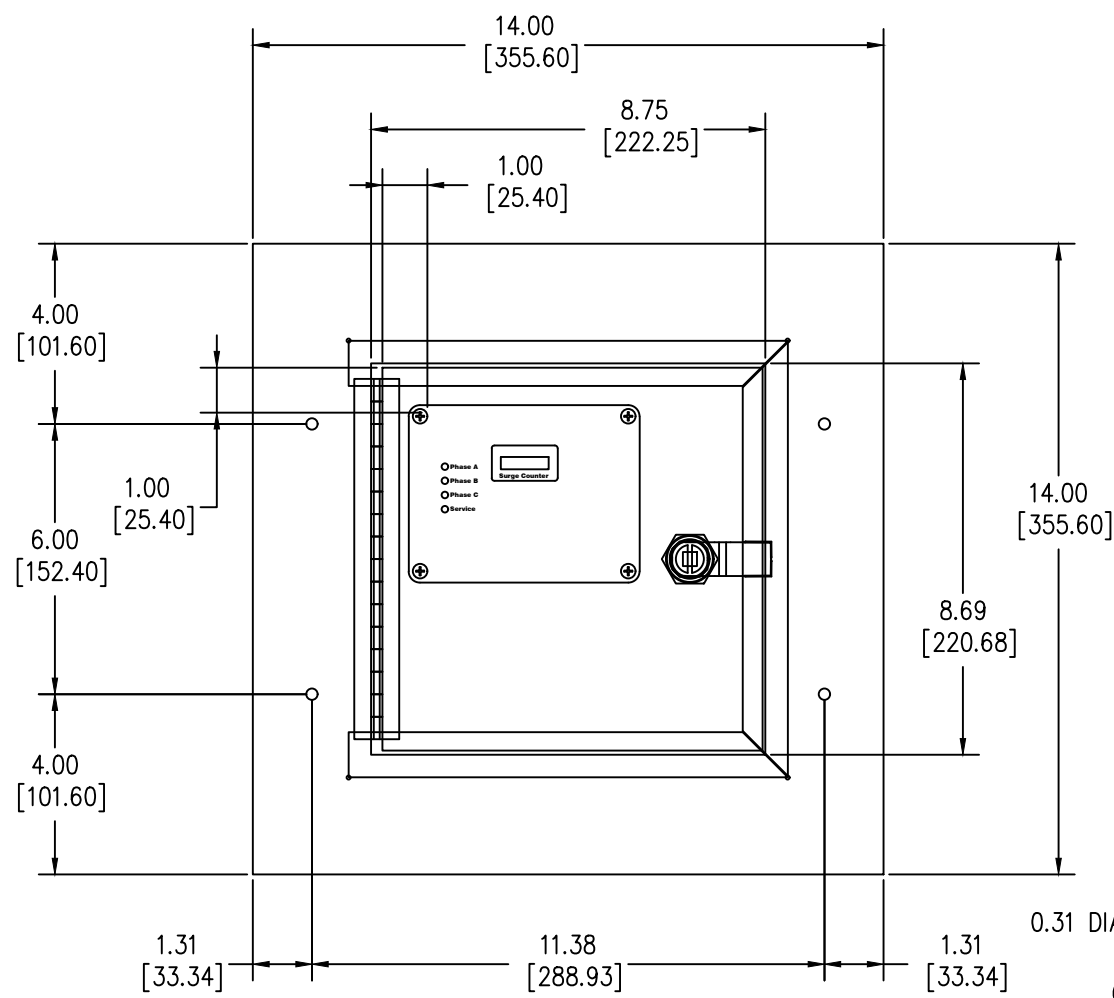
Rev -

Sht 1

Dwg. No. SIE_DW_TPS31230-FM1

BORDERD Autocad filename: SIE_DW_TPS31230-FM1

SURGE PROTECTIVE DEVICE (SPD) WEIGHTS & DIMENSIONS NEMA RATING: 1 FLUSHMOUNT



ENCLOSURE SPECS.
 DESC: ENCLOSURE, FLUSHMOUNT PULLBOX
 DIM: 12"H x 12"W x 6"D
 MAT: CARBON STEEL, 16 GAUGE
 FINISH: POWDERCOAT ANSI 61 GRAY
 NEMA RATING: 1
 DEVICE WEIGHT: 19.10LBS. (8.66KG.)

Rev	C.N.	Date	Unless otherwise specified dimensions are in inches. Tolerances are non-cumulative and are as follows unless specified otherwise.		Confidential - Property of Siemens Industry, Inc. Building Technologies Division
			.XX	± .020	
1	-	-	.XXX	± .005	TPS3-12 SERIES 100k-300k w/o DS FLUSHMOUNT NEMA: 1
			Angular	± 2°	
△ - Denotes latest changes. □ - Critical dimension.			DRAWN H. DRIGGERS 8/17/09 ENGINEER M.JG 8/17/09 APPROVAL	DWG NO. SIE_DW_TPS31230-FM1 SCALE NONE	REV - SHEET 1 of 1