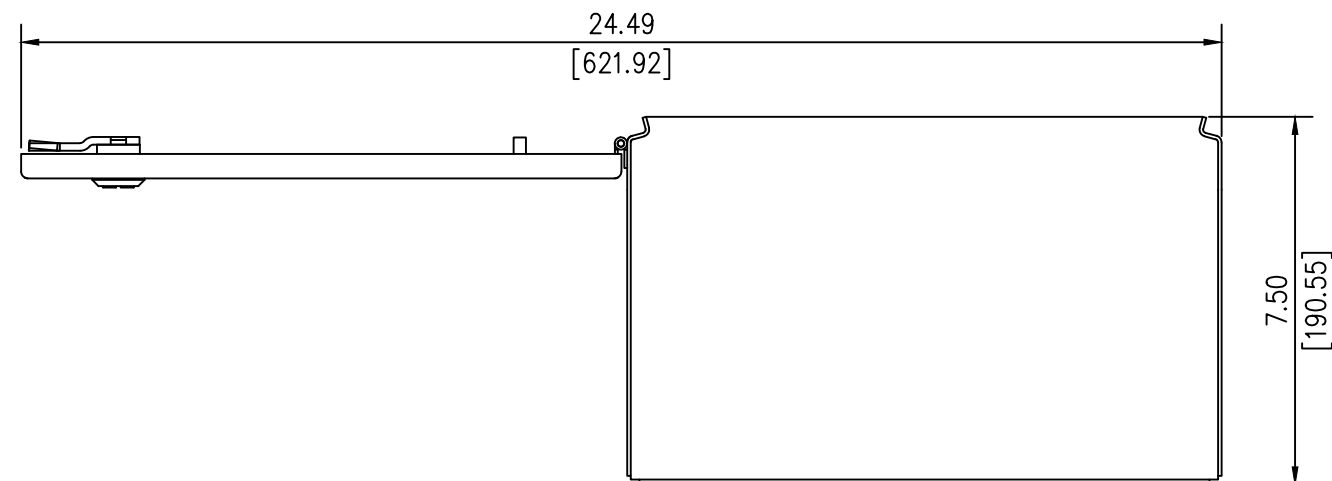
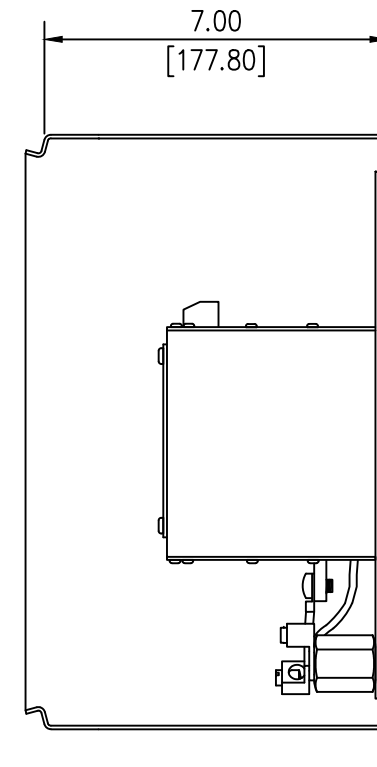
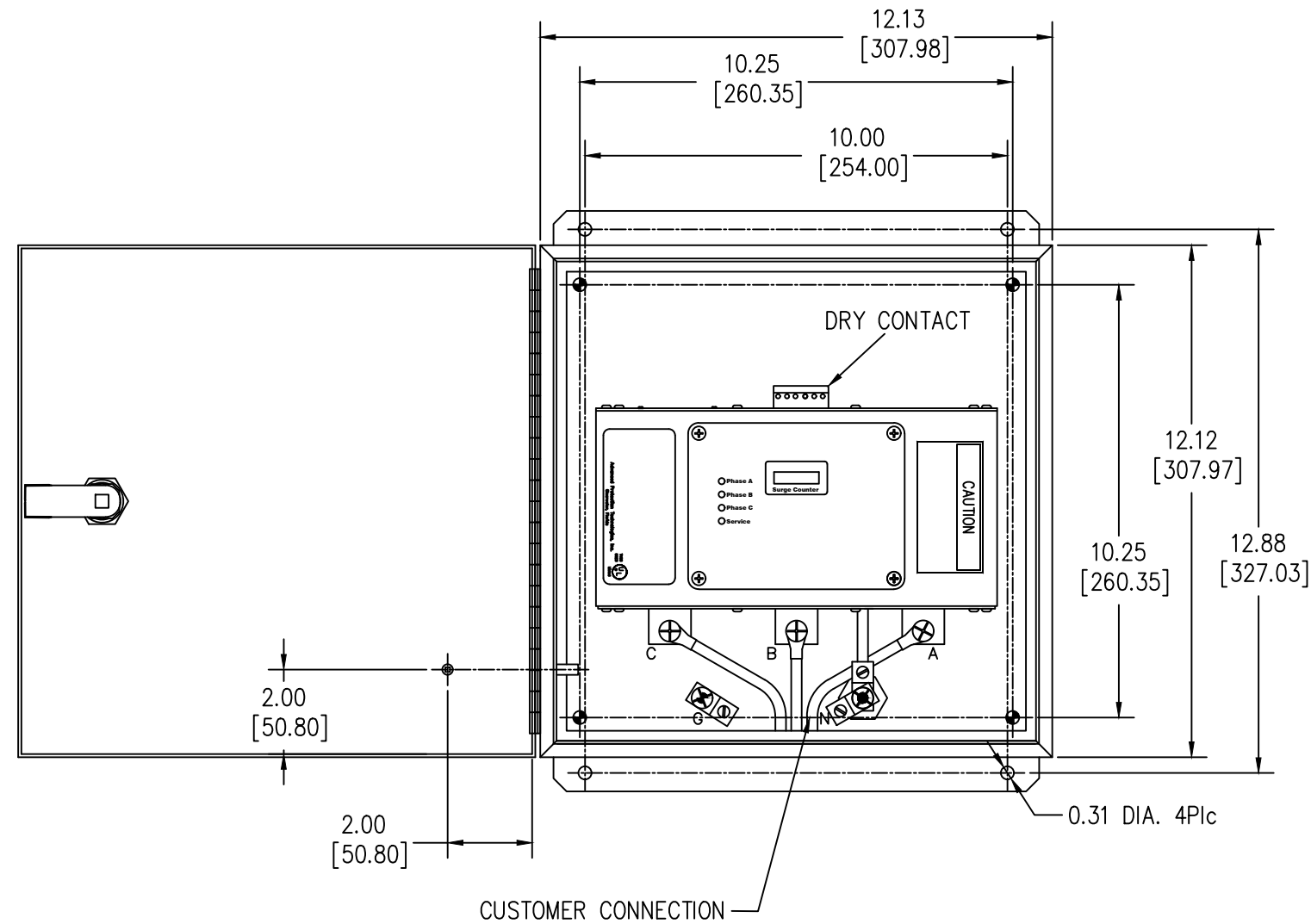


SURGE PROTECTIVE DEVICE (SPD)
WEIGHTS & DIMENSIONS
NEMA RATING: 4S STAINLESS STEEL



ENCLOSURE SPECS.
DESC: ENCLOSURE, HINGED
DIM: 12"H x 12"W x 7"D
MAT: STAINLESS STEEL, 14 GAUGE
FINISH: STAINLESS STEEL
NEMA RATING: 4S
DEVICE WEIGHT: 22.20LBS. (10.06KG.)

Rev	C.N.	Date	Unless otherwise specified dimensions are in inches. Tolerances are non-cumulative and are as follows unless specified otherwise.		Confidential - Property of Siemens Industry, Inc. Building Technologies Division
			.XX	± .020	
			.XXX	± .005	TPS3-12 SERIES 100k-300k w/o DS NEMA RATING: 4S
			Angular	± 2'	
			Do not scale drawing		DWG NO. SIE_DW_TPS31230-4S REV -
			DRAWN	H. DRIGGERS 8/17/09	
			ENGINEER	MJG 8/17/09	SCALE NONE
			APPROVAL		SHEET 1 of 1