

Third Angle Proj

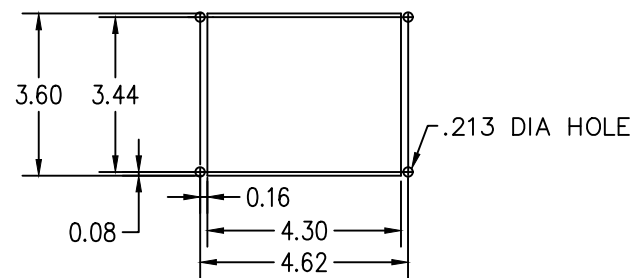
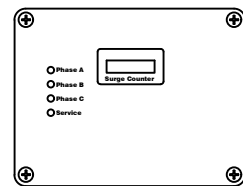
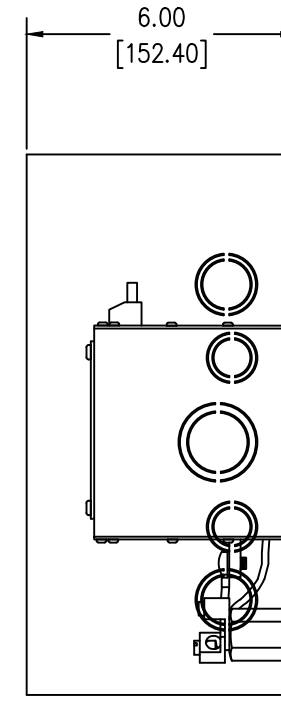
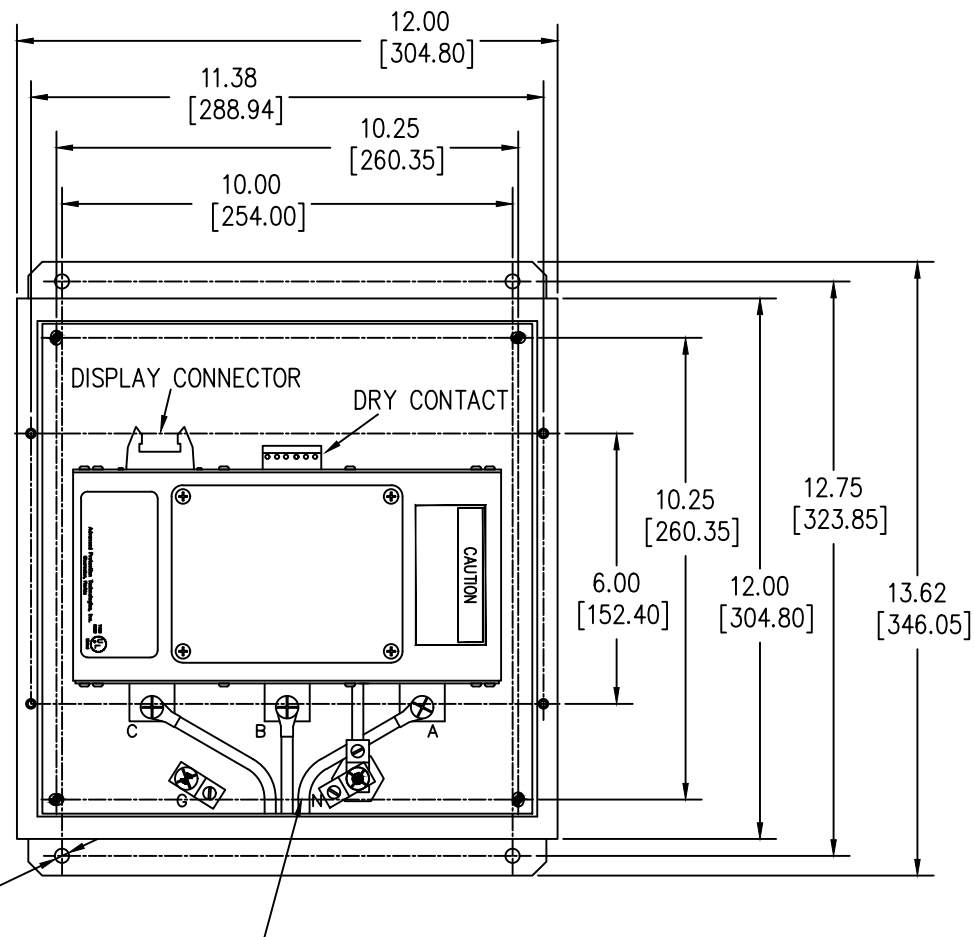
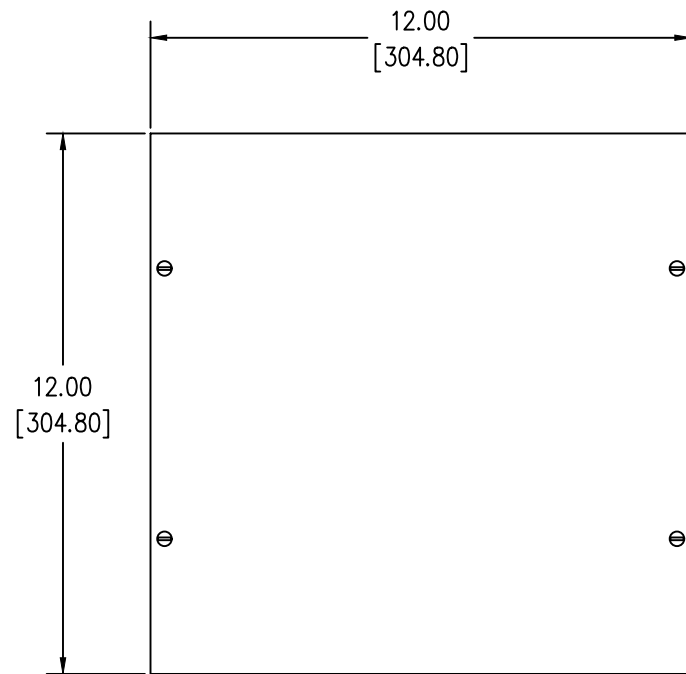
Rev -

Sht 1

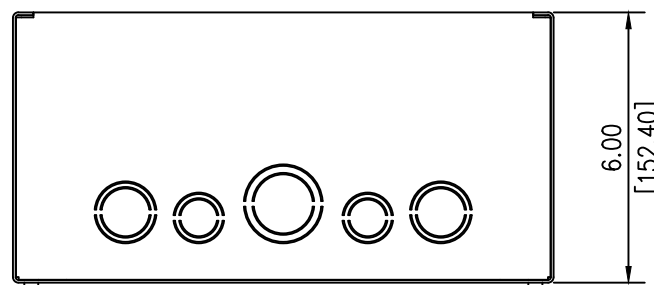
Dwg. No. SIE_DW_TPS31230-1

BORDERD Autocad filename: SIE_DW_TPS31230-1

SURGE PROTECTIVE DEVICE (SPD) WEIGHTS & DIMENSIONS NEMA RATING: 1



REMOTE DISPLAY CUT-OUT REFERENCE



ENCLOSURE SPECS.
DESC: ENCLOSURE, SCREWCOVER PULLBOX
DIM: 12"H x 12"W x 6"D
MAT: CARBON STEEL, 16 GAUGE
FINISH: POWDERCOAT ANSI 61 GRAY
NEMA RATING: 1
DEVICE WEIGHT: 14.80LBS. (6.71KG.)

Rev	Date	C.N.	Date
1			

△ - Denotes latest changes.
 □ - Critical dimension.

<small>Unless otherwise specified dimensions are in inches. Tolerances are non-cumulative and are as follows unless specified otherwise.</small> .XX ± .020 .XXX ± .005 Angular ± 2° Do not scale drawing		Confidential - Property of Siemens Industry, Inc. Building Technologies Division	
DRAWN	H. DRIGGERS		8/17/09
ENGINEER	M.JG		8/17/09
APPROVAL			
TPS3-12 SERIES 100k-300k w/o DS NEMA RATING: 1			DWG NO. SIE_DW_TPS31230-1 REV - SCALE NONE SHEET 1 of 1