

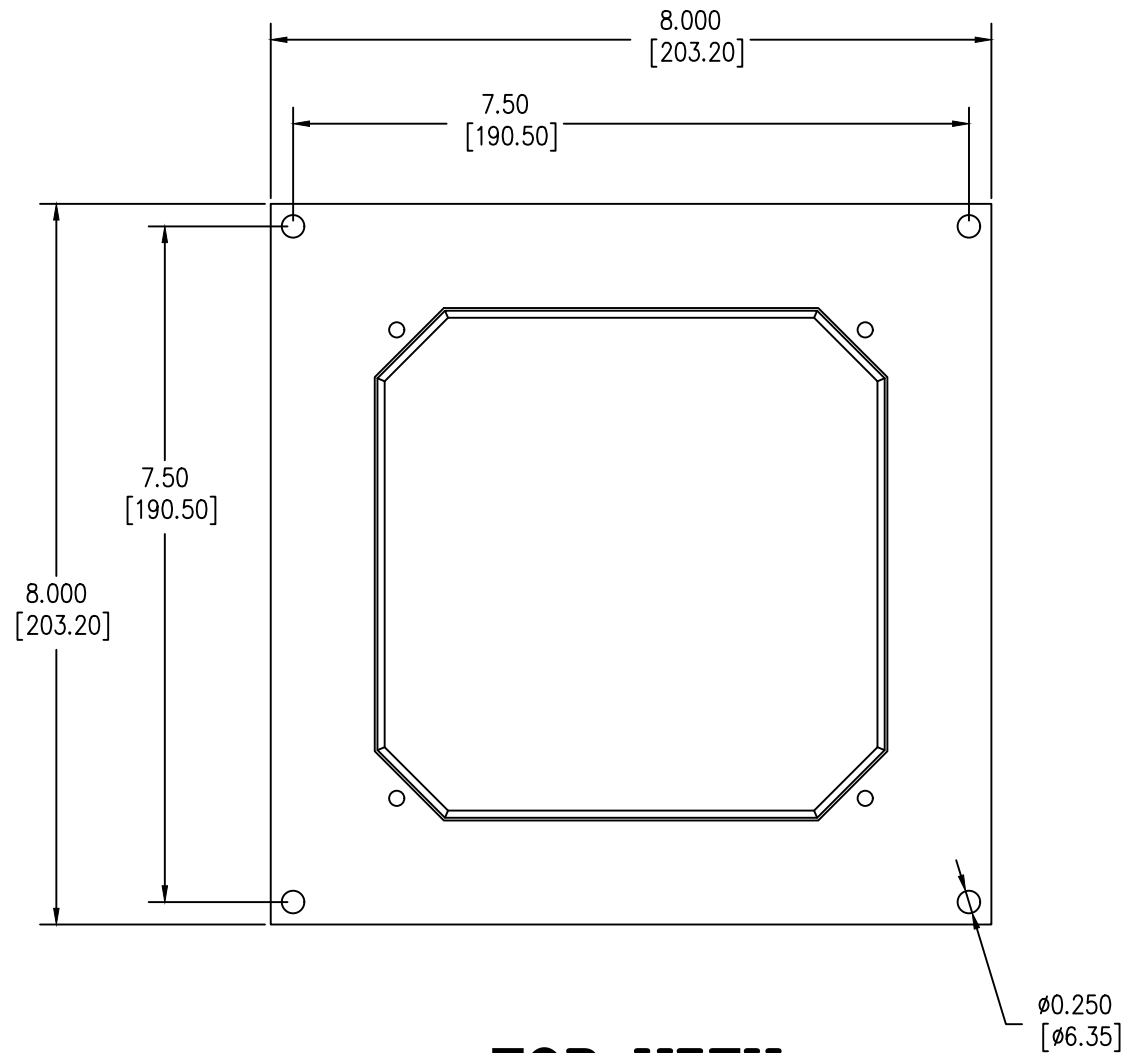
Rev -

Sht 1

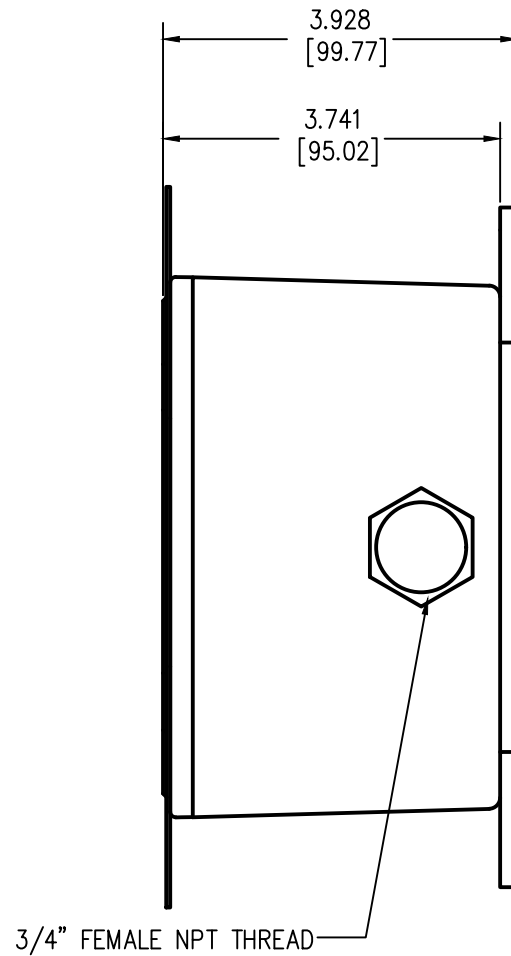
Dwg. No. SIE_DW_TPS31120-FM4X

BORDERD Autocad filename: SIE_DW_TPS31120-FM4X

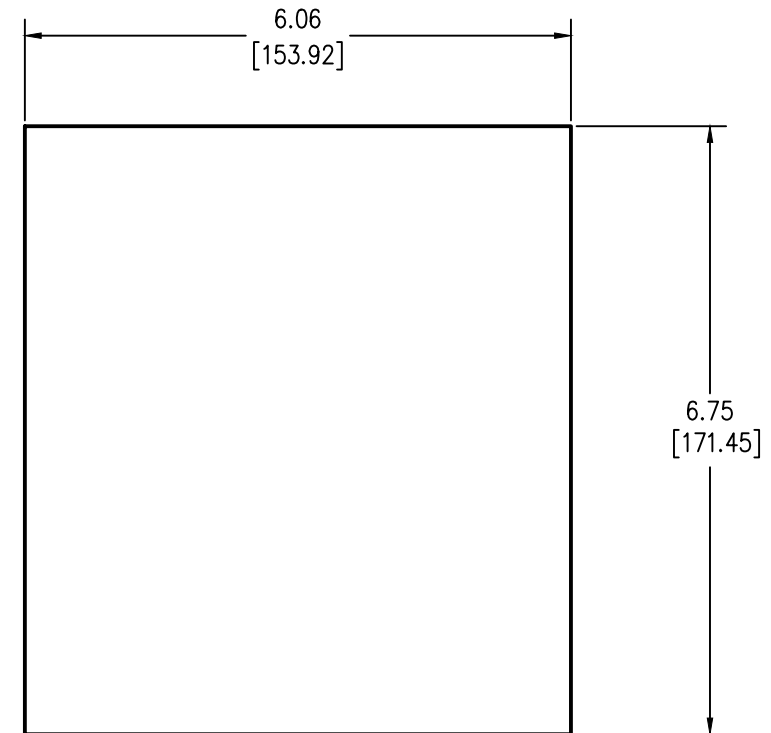
SURGE PROTECTIVE DEVICE (SPD)
WEIGHTS & DIMENSIONS
NEMA RATING: 4X NON METALLIC
FLUSHMOUNT KIT



TOP VIEW



SIDE VIEW



MOUNTING HOLE
IN WALL

ENCLOSURE SPECS.:
 DESC: NON-METALLIC ENCLOSURE
 WITH FLUSHMOUNT KIT
 DIM: 6.00"H x 6.00"W x 3.93"D
 MAT: POLYCARBONATE (V2 & F1)
 FINISH: GRAY
 NEMA RATING: 4X
 DEVICE WEIGHT: 5.29LBS. (2.39KG.)

Date	Unless otherwise specified dimensions are in inches. Tolerances are non-cumulative and are as follows unless specified otherwise.		Confidential - Property of Siemens Industry, Inc. Building Technologies Division
	.XX	± .020	
C.N.	.XXX	± .005	TPS3-11 SERIES 100K-200K FLUSHMOUNT NEMA: 4X
	Angular	± 2°	
Rev	Do not scale drawing		DWG NO. SIE_DW_TPS31120-FM4X
	△ - Denotes latest changes. □ - Critical dimension.		
SCALE		NONE	SHEET 1 of 1