

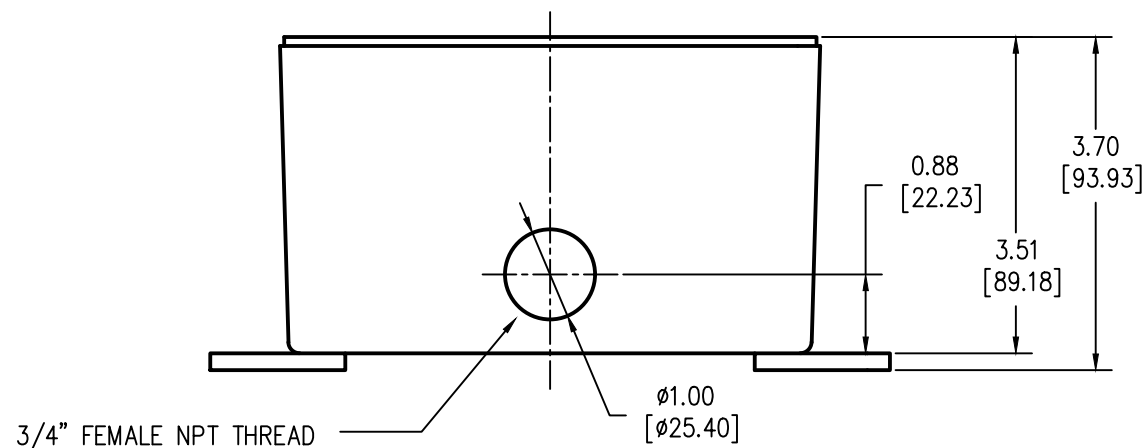
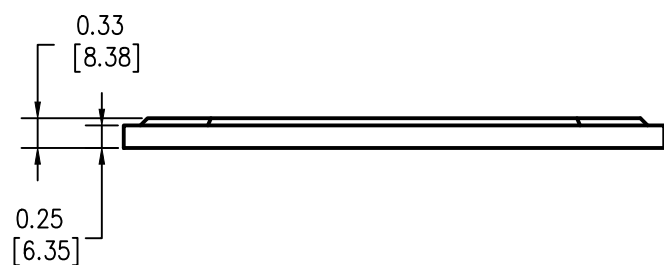
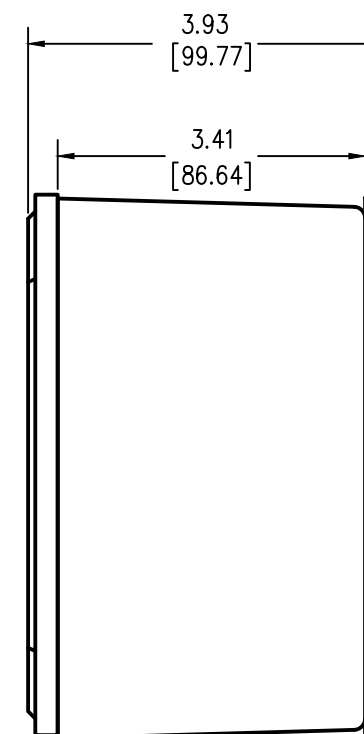
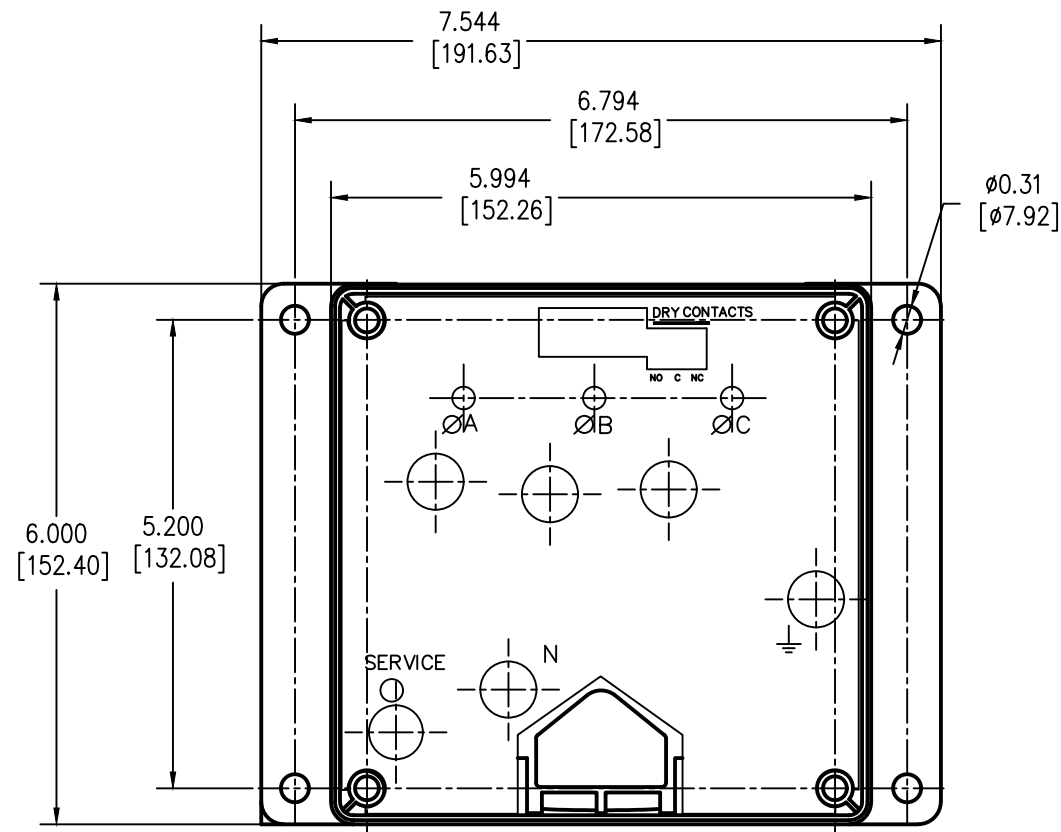
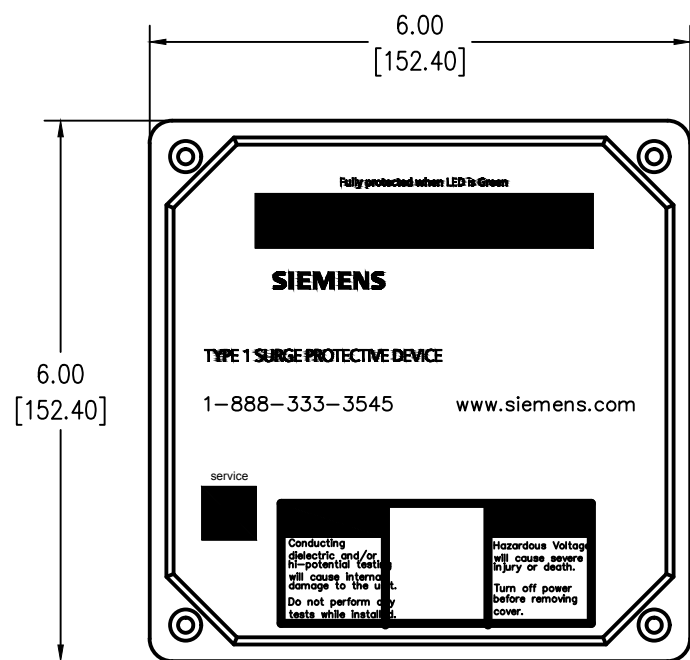
Rev -

Sht 1

Dwg. No. SIE_DW_TPS31120-4X

BORDERD Autocad filename: SIE_DW_TPS31120-4X

SURGE PROTECTIVE DEVICE (SPD) WEIGHTS & DIMENSIONS NEMA RATING: 4X NON METALLIC



ENCLOSURE SPECS.:
 DESC: NON-METALLIC ENCLOSURE
 DIM: 6.00"H x 6.00"W x 3.93"D
 MAT: POLYCARBONATE (V2 & F1)
 FINISH: GRAY
 NEMA RATING: 4X
 DEVICE WEIGHT: 4.95LBS. (2.24KG.)

Rev	Date	Unless otherwise specified dimensions are in inches. Tolerances are non-cumulative and are as follows unless specified otherwise. .XX ± .020 .XXX ± .005 Angular ± 2° Do not scale drawing	Confidential - Property of Siemens Industry, Inc. Building Technologies Division	
	C.N.			
1			TPS3-11 SERIES 100K-200K NEMA: 4X	
DWG NO. SIE_DW_TPS31120-4X SCALE NONE			REV - SHEET 1 of 1	