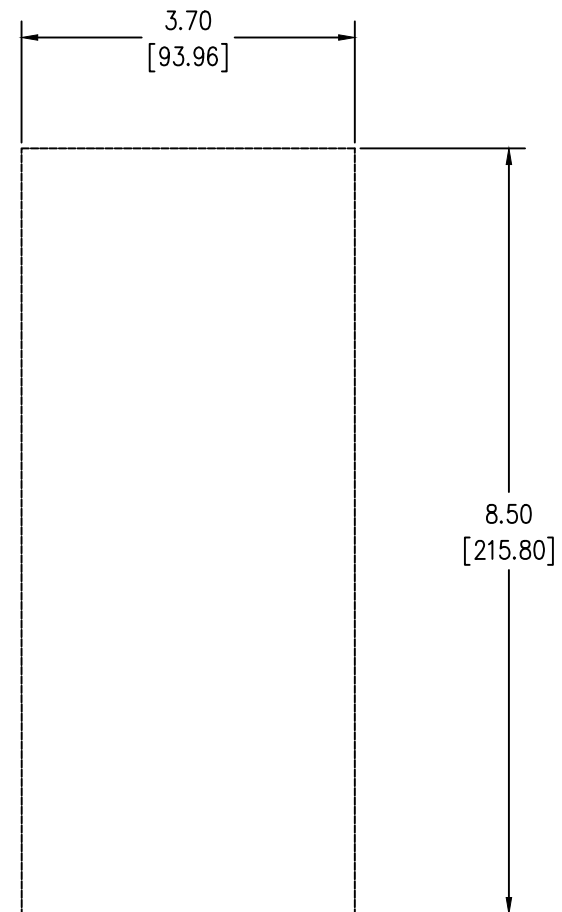
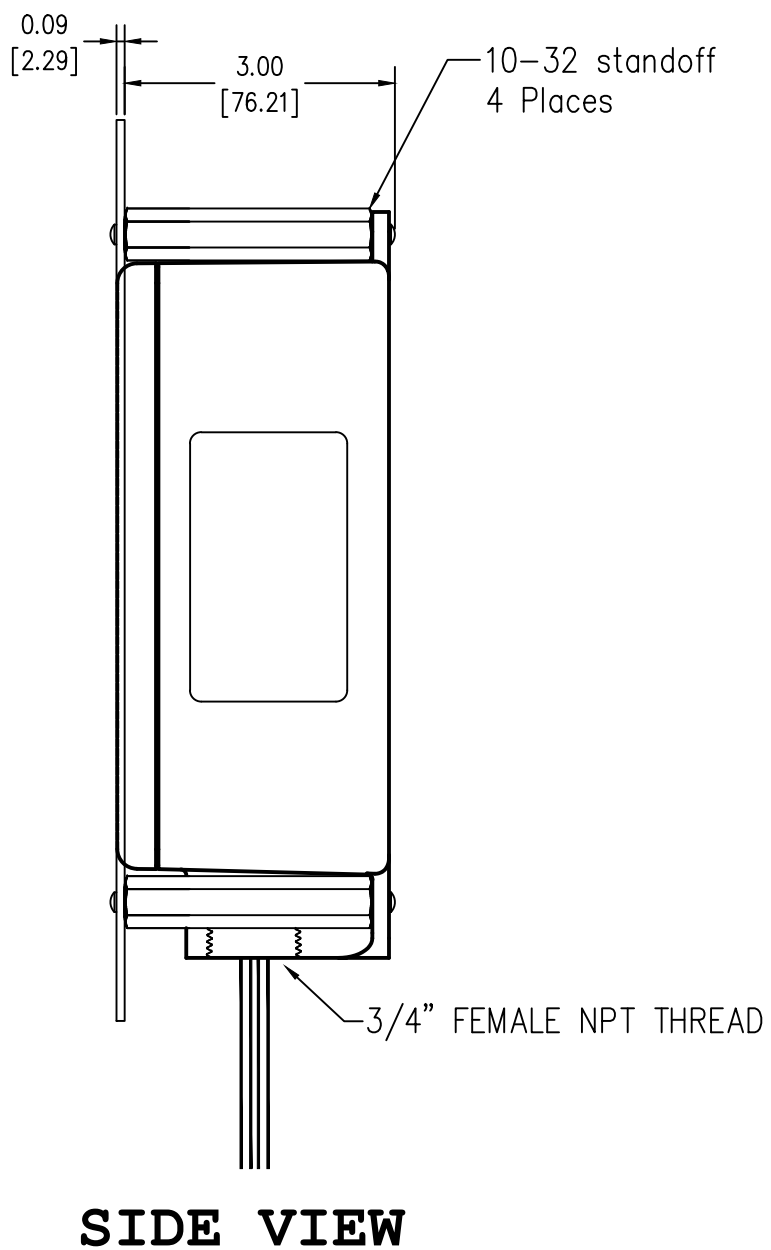
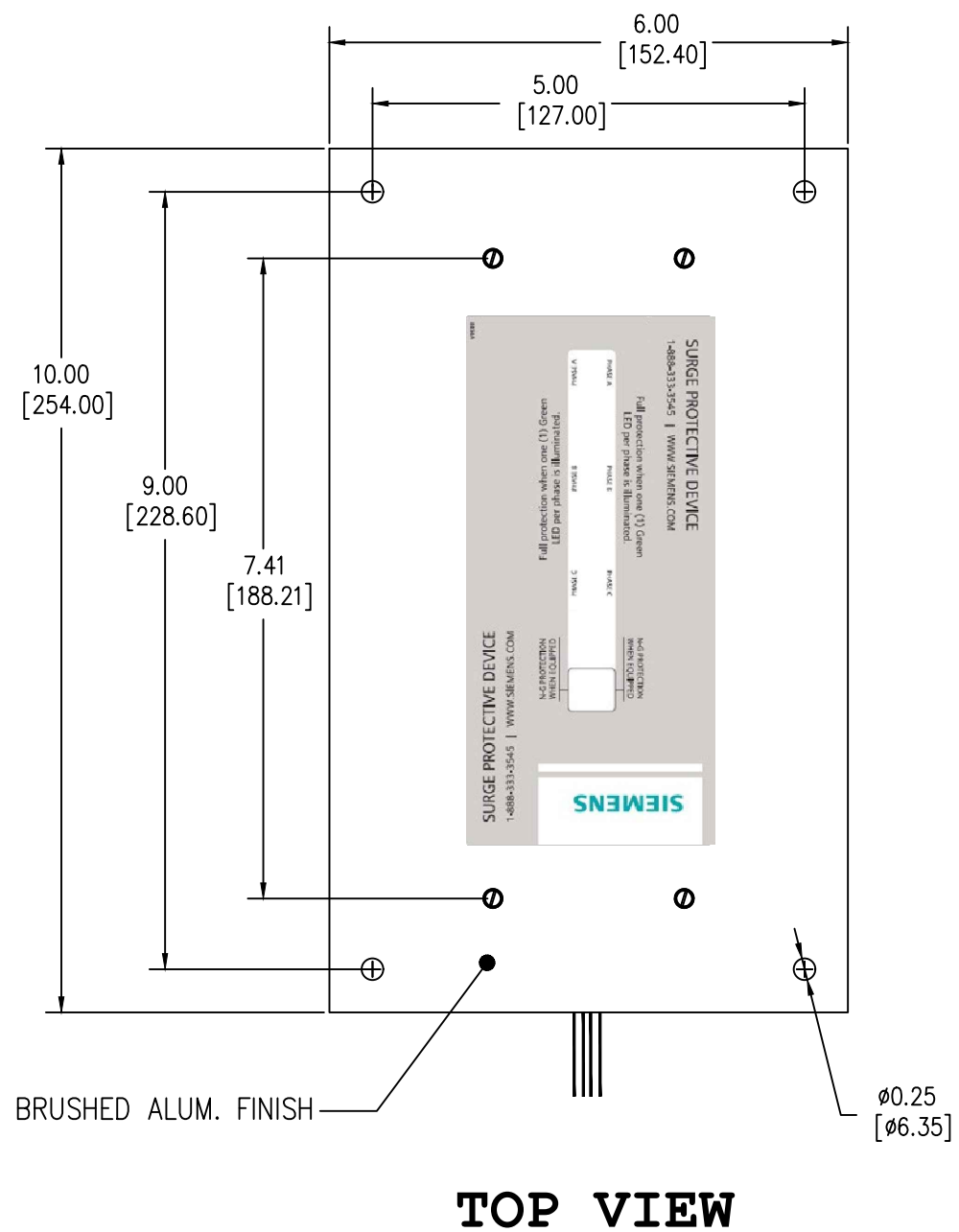


SURGE PROTECTIVE DEVICE (SPD)
WEIGHTS & DIMENSIONS
NEMA RATING: 4X NON METALLIC
FLUSHMOUNT KIT



**MOUNTING HOLE
IN WALL**

ENCLOSURE SPECS.
 DESC: NON-METALLIC ENCLOSURE WITH FLUSHMOUNT KIT
 DIM: 8.3"H x 3.6"W x 3.0"D
 MAT: GRAY POLYCARBONATE (5VA & F1)
 FINISH: MATTE / CLEAR LID
 NEMA RATING: 4X
 DEVICE WEIGHT: 3.0LBS. (1.4KG.)

Rev	C.N.	Date	Unless otherwise specified dimensions are in inches. Tolerances are non-cumulative and are as follows unless specified otherwise.		Confidential - Property of Siemens Industry, Inc. Building Technologies Division
			.XX	± .020	
			.XXX	± .005	TPS3-09 SERIES 100ka, NEMA RATING: 4X FLUSH MOUNT
			Angular	± 2°	
			Do not scale drawing		DWG NO. SIE_DW_TPS30910-4XFM SCALE NONE SHEET 1 of 1
			DRAWN: D. PROFFITT 07/28/14 ENGINEER: M.J.G. 07/28/14 APPROVAL: M.J.G. 07/28/14		