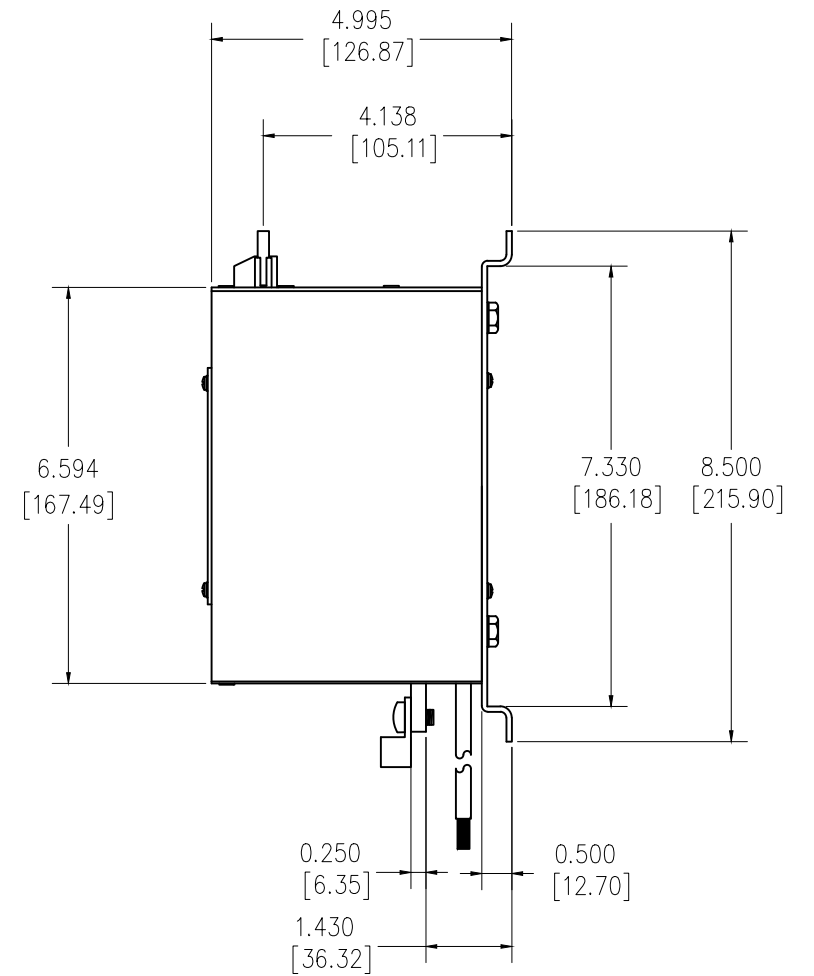
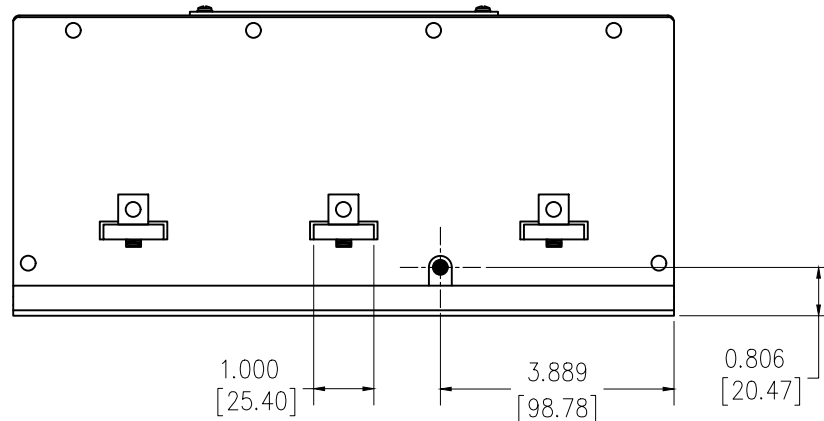
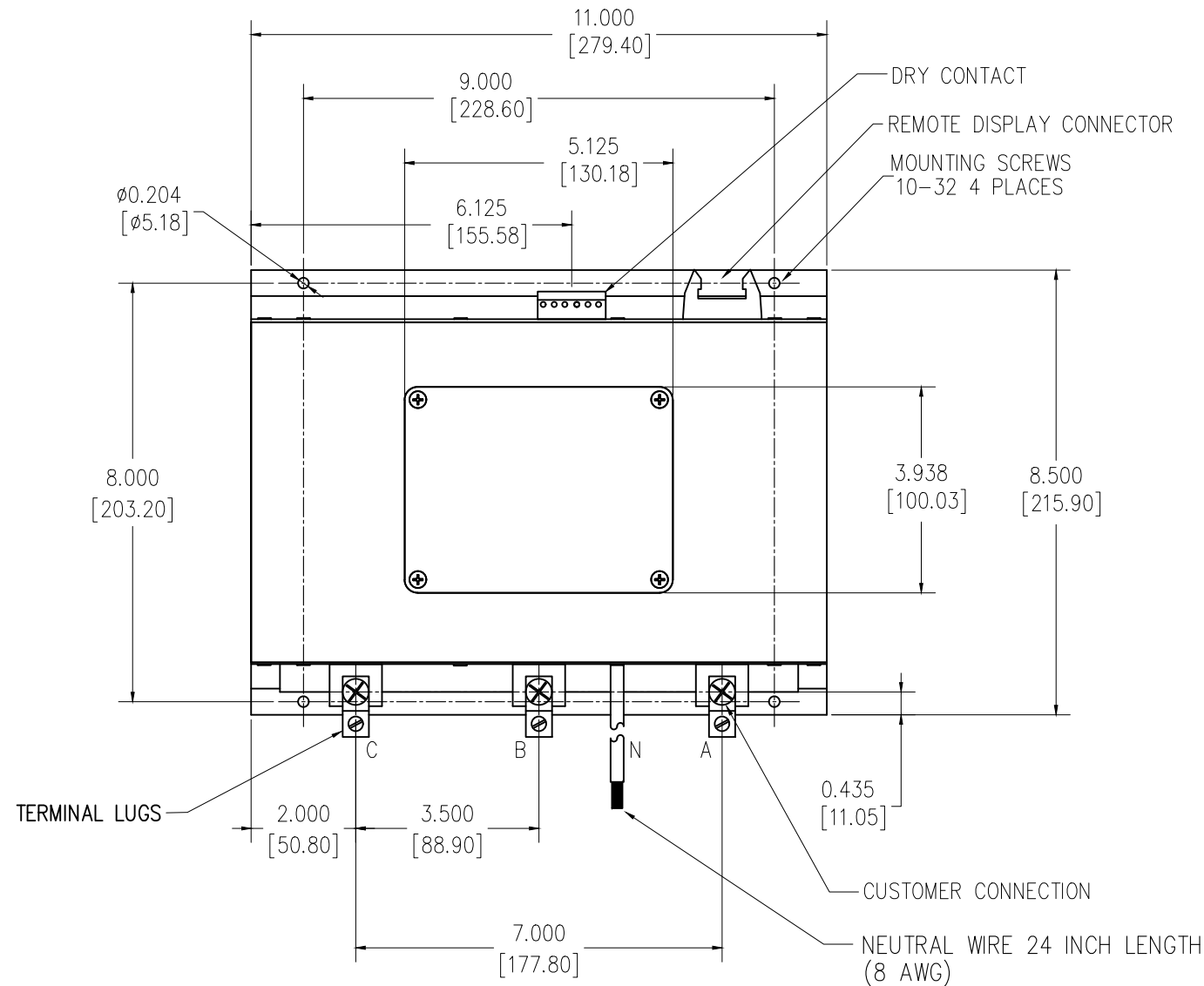
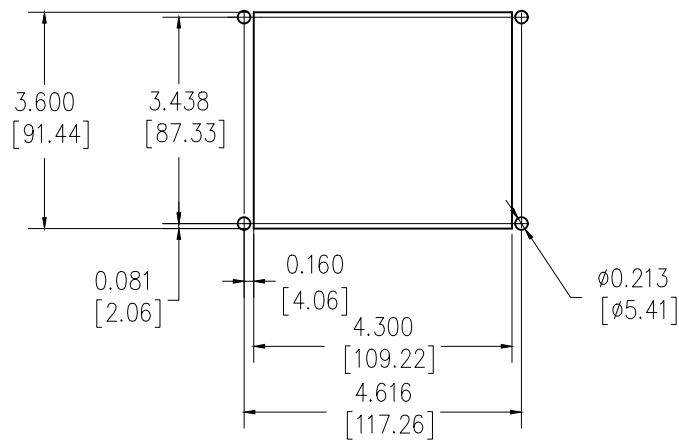
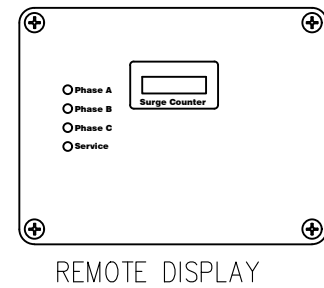


# SURGE PROTECTIVE DEVICE (SPD) WEIGHTS & DIMENSIONS



SPECS.  
DESC: TPS3-06-POWER MODULE SERIES SPD MODULE WITH OPTION (P) POWER MODULE  
KA RATING: 400-500  
In RATING: 20KA  
OVERALL DIM: 11"L x 8.5"W x 5"D  
ENCL. MAT: ALUMINUM, 16 GAUGE  
FINISH: BLACK ANNOXIDIZED  
NEMA RATING: 1  
DEVICE WEIGHT: 6.55 LBS. (2.97 KG.)

Date	Unless otherwise specified dimensions are in inches. Tolerances are non-cumulative and are as follows unless specified otherwise.		Confidential - Property of Siemens Industry, Inc. Building Technologies Division
	.XX	± .020	
C.N.	.XXX		TPS3-06- P OPTION 400-500K SPD MODULE
	Angular ± 2°		
Rev	Do not scale drawing		DWG NO. SIE_DW_TPS30650-P
	DRAWN H. DRIGGERS 7/9/12		
△ - Denotes latest changes.		ENGINEER M.JG 7/9/12	SCALE NONE
□ - Critical dimension.		APPROVAL	SHEET 1 of 1