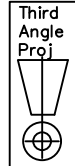


# SURGE PROTECTIVE DEVICE (SPD) WEIGHTS & DIMENSIONS

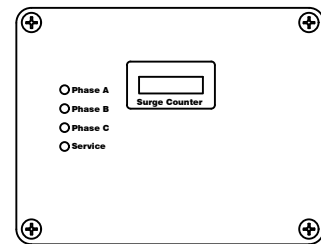


Rev -

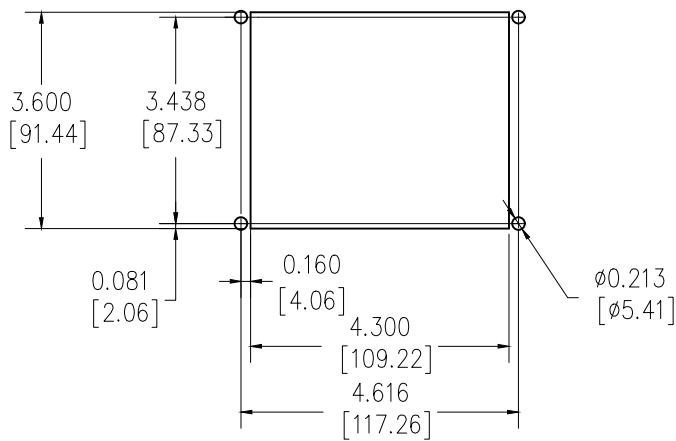
Sht 1

Dwg. No. SIE\_DW\_TPS30650-M

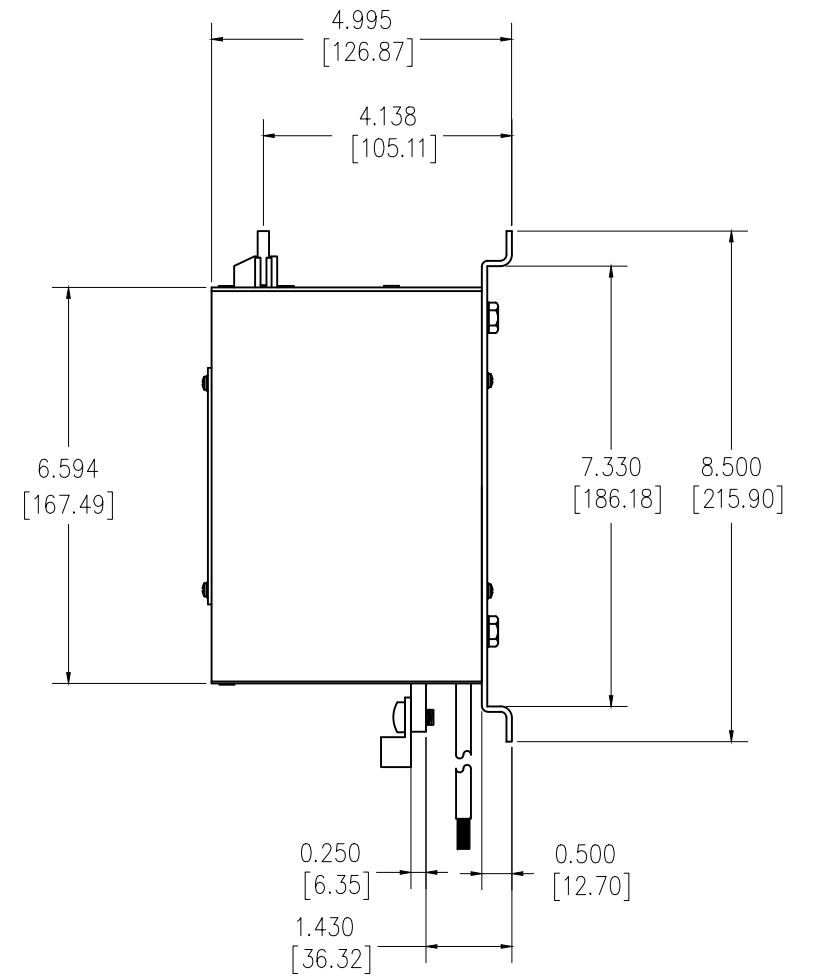
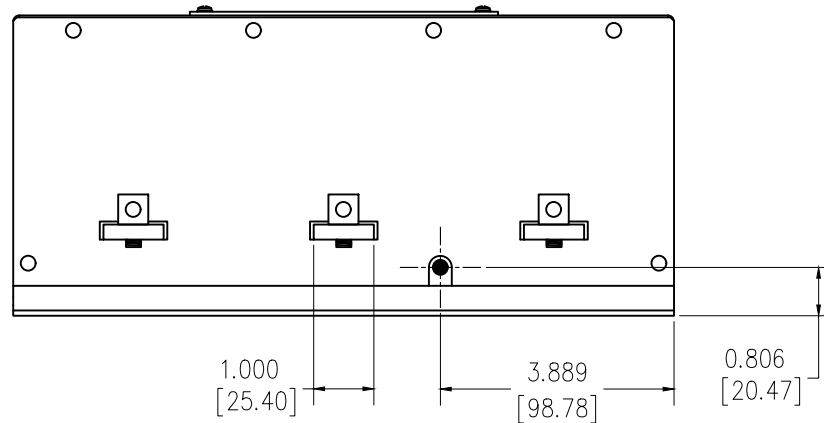
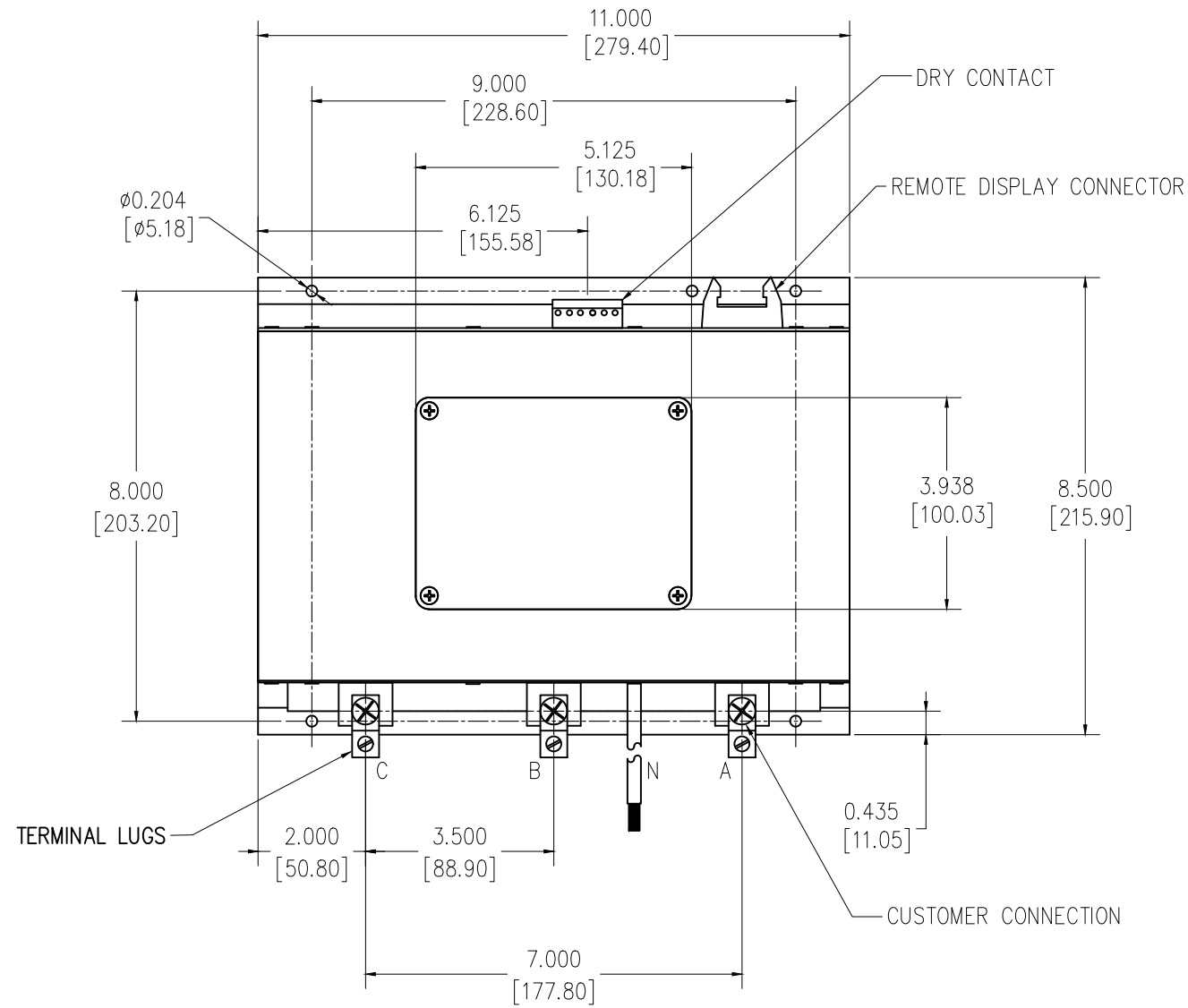
BORDERD Autocad filename: SIE\_DW\_TPS30650-M



REMOTE DISPLAY



REMOTE DISPLAY CUT-OUT REFERENCE



SPECS.  
 DESC: TPS3-06-MCC SERIES SPD MODULE  
 WITH OPTION (M) MOTOR CONTROL CENTER  
 KA RATING: ALL 400-500 EXCEPT VOLTAGE CODE G 200-250  
 In RATING: 20KA  
 OVERALL DIM: 11"L x 8.5"W x 5"D  
 ENCL. MAT: ALUMINUM, 16 GAUGE  
 FINISH: BLACK ANNOIDIZED  
 NEMA RATING: 1  
 DEVICE WEIGHT: 6.55 LBS. (2.97 KG.)

Vol. Code G 3-5-10	Date	Unless otherwise specified dimensions are in inches. Tolerances are non-cumulative and are as follows unless specified otherwise. .XX ± .020 .XXX ± .005 Angular ± 2° Do not scale drawing	Confidential - Property of <b>Siemens Industry, Inc.</b> Building Technologies Division	
	C.N.			
Rev -	△ - Denotes latest changes. □ - Critical dimension.		TPS3-06-MCC SERIES 400-500K SPD MODULE	
DWG NO. SIE_DW_TPS30650-M SCALE NONE SHEET 1 of 1			REV -	