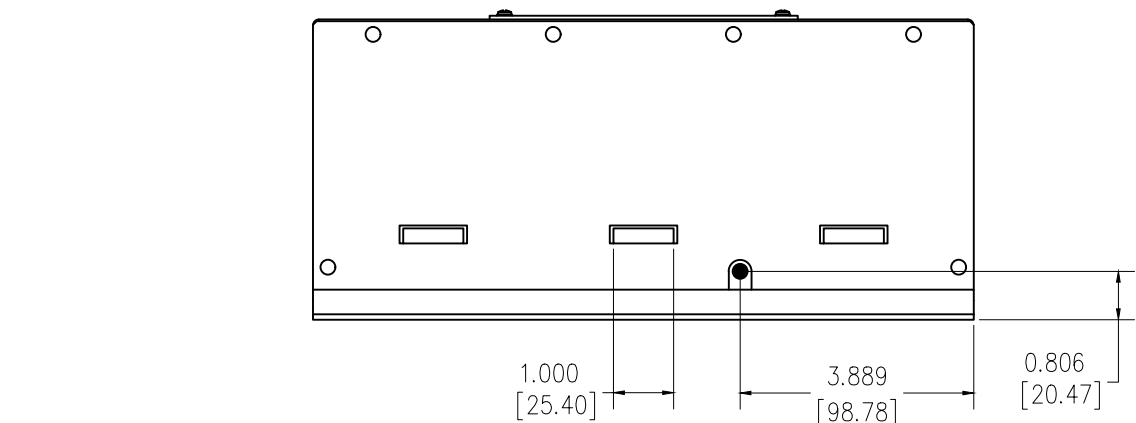
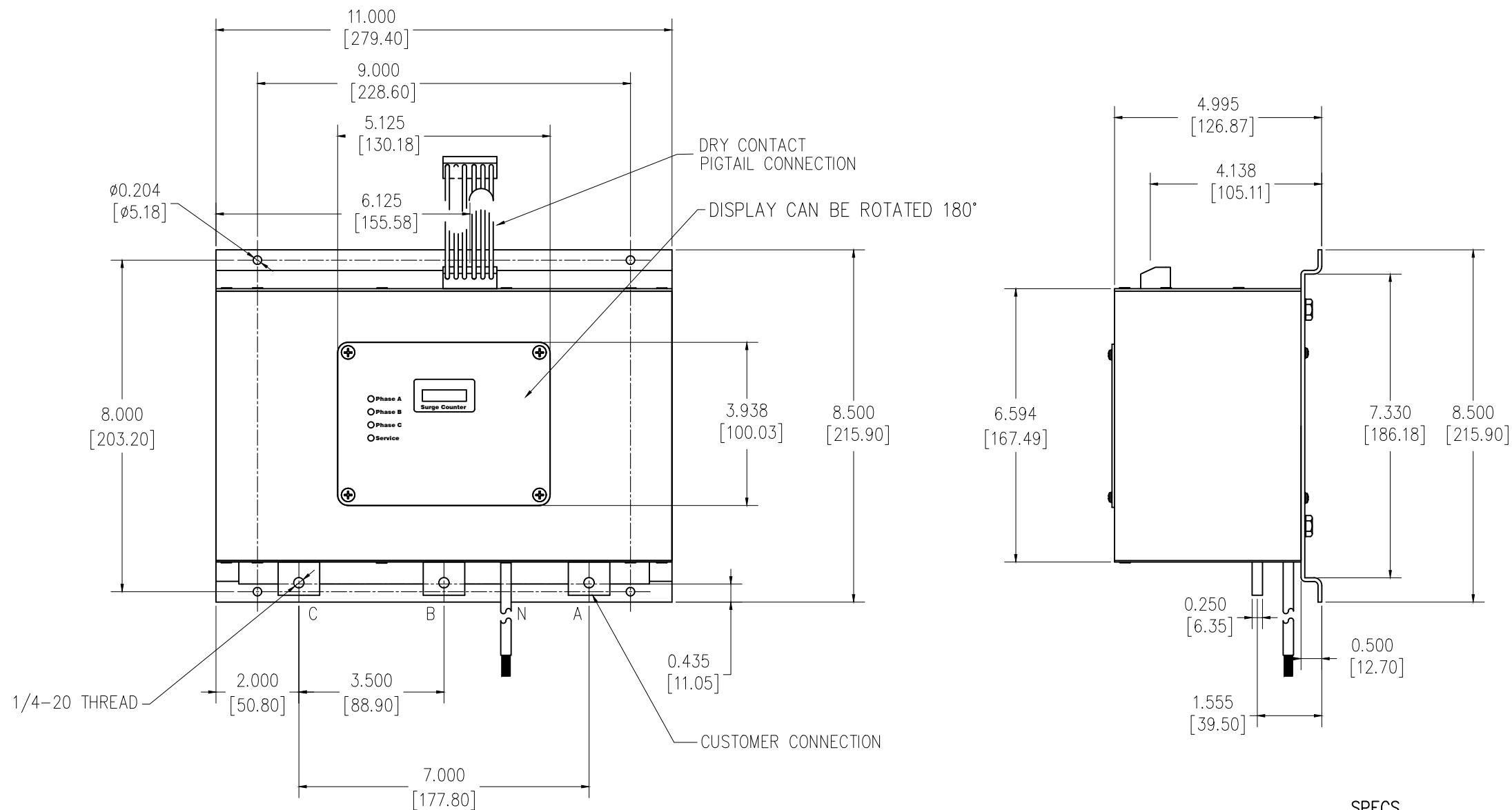


SURGE PROTECTIVE DEVICE (SPD) WEIGHTS & DIMENSIONS



SPECS.
 DESC: TPS3-06-BUS SERIES SPD MODULE
 WITH OPTION (B) BUSWAY
 KA RATING: 400-500
 In RATING: 20KA
 OVERALL DIM: 11"L x 8.5"W x 5"D
 ENCL. MAT: ALUMINUM, 16 GAUGE
 FINISH: BLACK ANNOXIDIZED
 NEMA RATING: 1
 DEVICE WEIGHT: 6.55 LBS. (2.97 KG.)

Date		Unless otherwise specified dimensions are in inches. Tolerances are non-cumulative and are as follows unless specified otherwise. .XX ± .020 .XXX ± .005 Angular ± 2° Do not scale drawing		Confidential - Property of Siemens Industry, Inc. Building Technologies Division	
C.N.	H. DRIGGERS	8/17/09	TPS3-06-BUS SERIES 400-500K SPD MODULE		
Rev	M.J.G.	8/17/09	DWG NO. SIE_DW_TPS30650-B		
Rev 1		APPROVAL		SCALE	NONE
				SHEET	1 of 1