

# SURGE PROTECTIVE DEVICE (SPD) WEIGHTS & DIMENSIONS

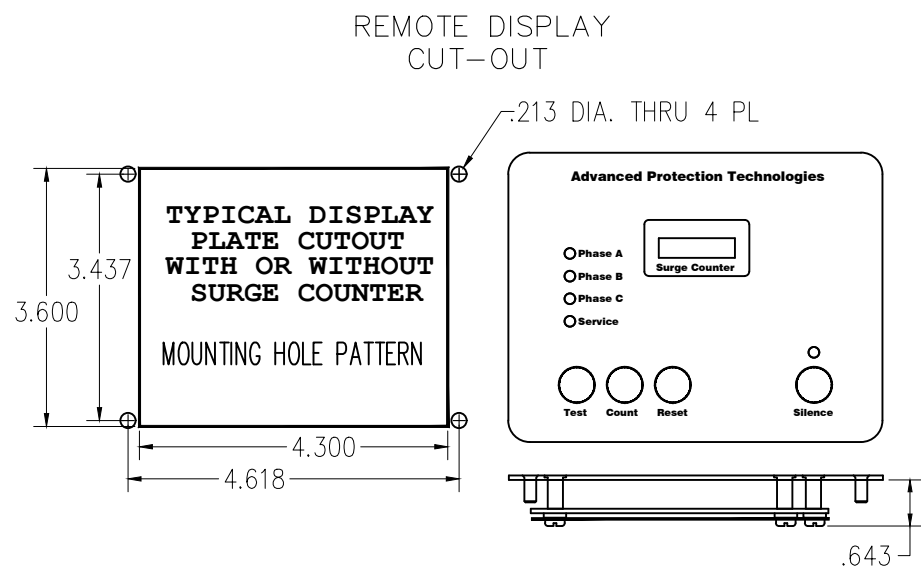
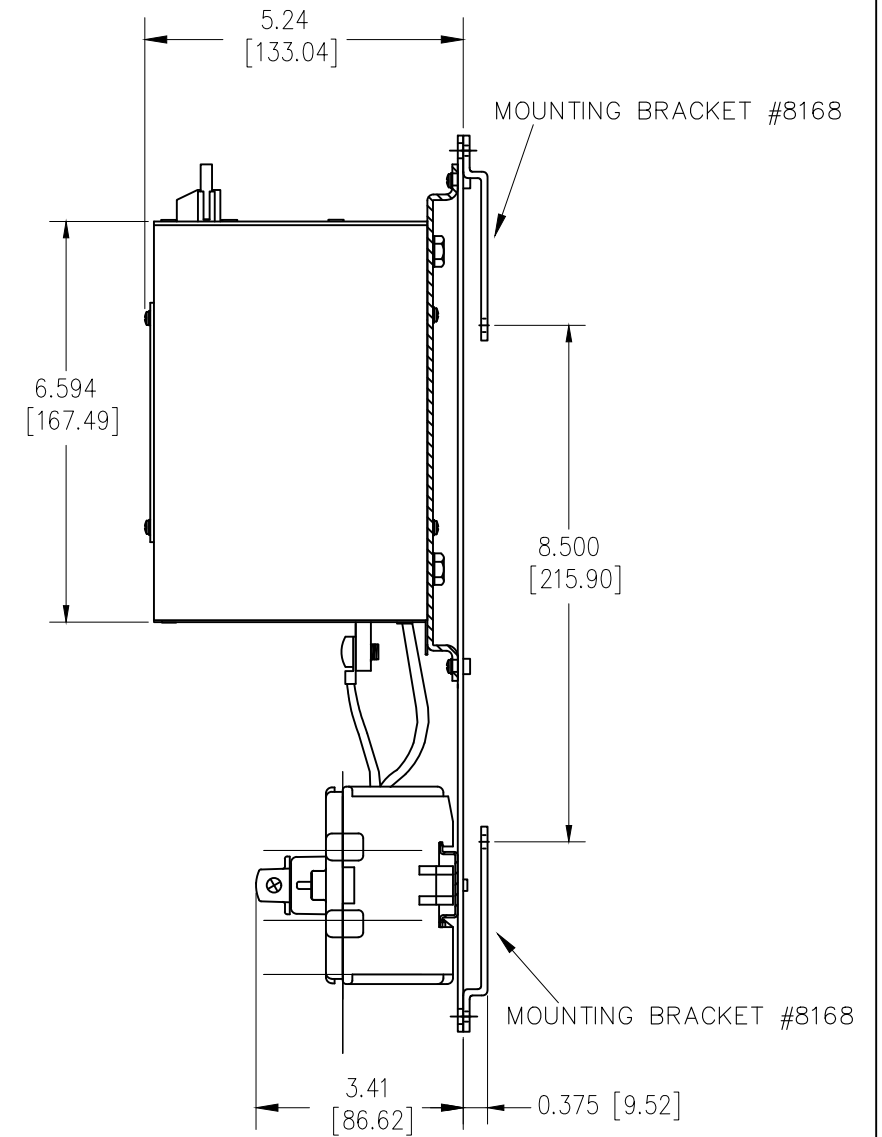
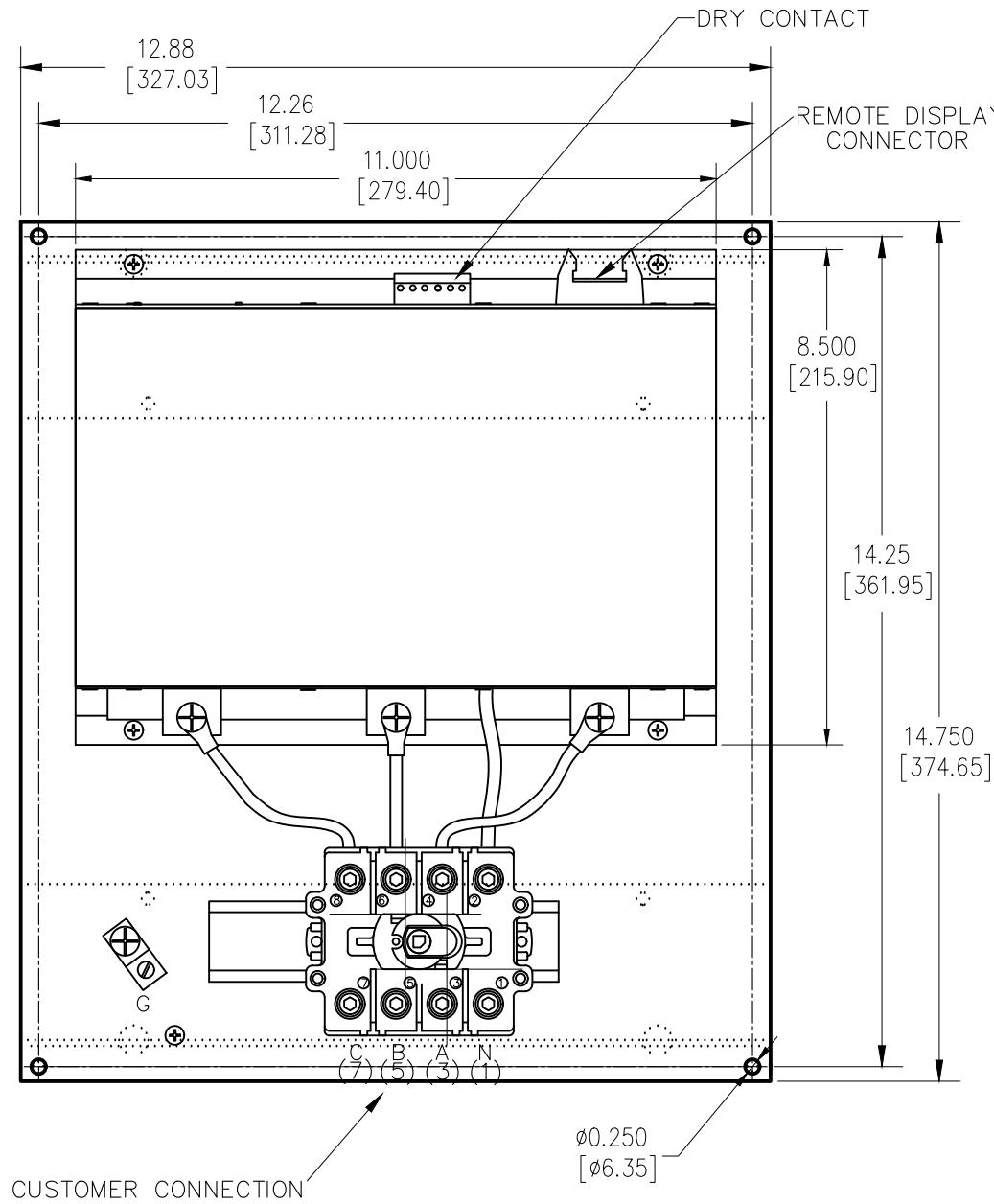
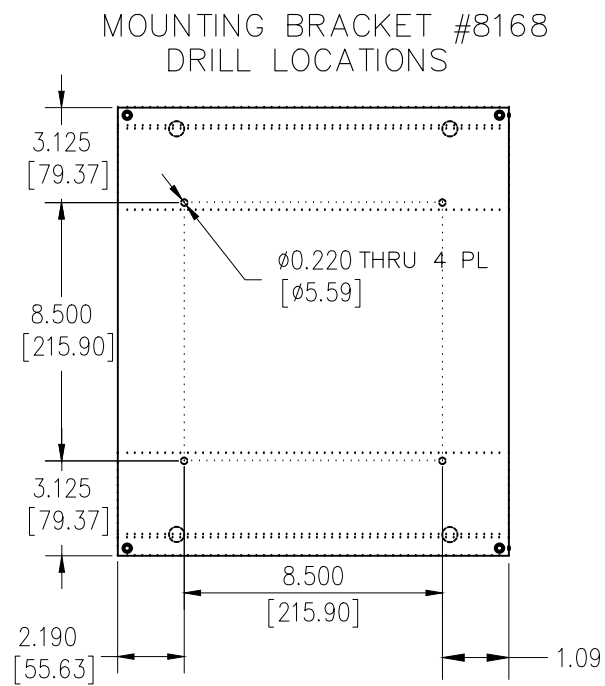
Third Angle Proj

Rev -

Sht 1

Dwg. No. SIE\_DW\_TPS30650

BORDERD Autocad filename: SIE\_DW\_TPS30650



SPECS.  
 DESC: TPS3-06-500 INTERNAL MOUNT SPD WITH DISCONNECT  
 KA RATING: 400-500  
 In RATING: 20KA  
 DIM: 14.7"H x 12.8"W x 5.2"D  
 MAT: ALUMINUM  
 NEMA RATING: 1  
 DEVICE WEIGHT: 9.6LBS. (4.35KG.)

3/26/10	Date	Unless otherwise specified dimensions are in inches. Tolerances are non-cumulative and are as follows unless specified otherwise. .XX ± .020 .XXX ± .005 Angular ± 2° Do not scale drawing		Confidential - Property of <b>Siemens Industry, Inc.</b> Building Technologies Division
H. DRIGGERS	8/17/09	DRAWN	TPS3-06 Series 400k-500k w/ DS Internal Mount SPD w/ #8168 Mounting Bracket	
M.J.G.	8/17/09	ENGINEER		
		APPROVAL		
1	Rev	DWG NO. SIE_DW_TPS30650		REV -
△ - Denotes latest changes.		SCALE NONE		SHEET 1 of 1
□ - Critical dimension.				