

SURGE PROTECTIVE DEVICE (SPD) WEIGHTS & DIMENSIONS

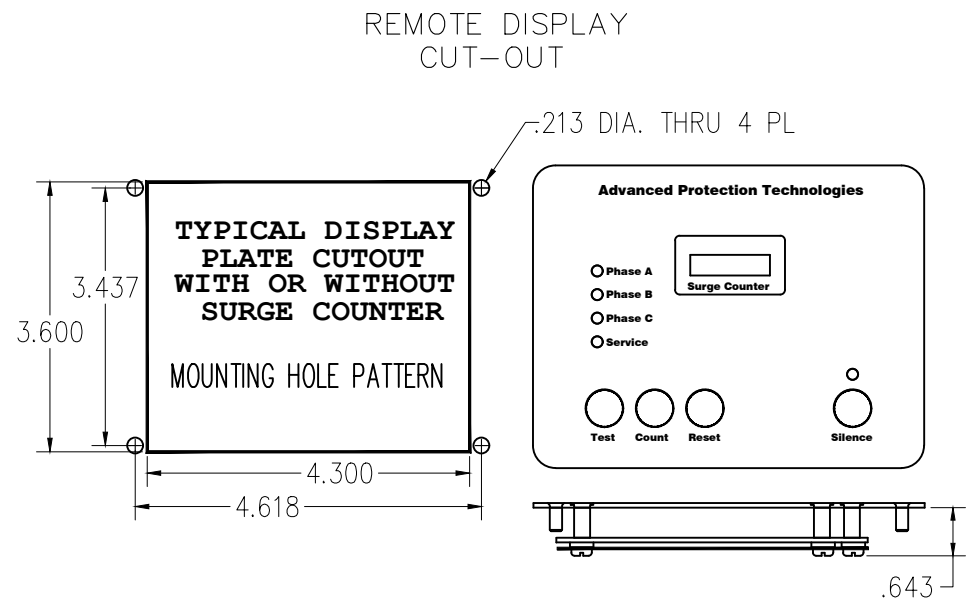
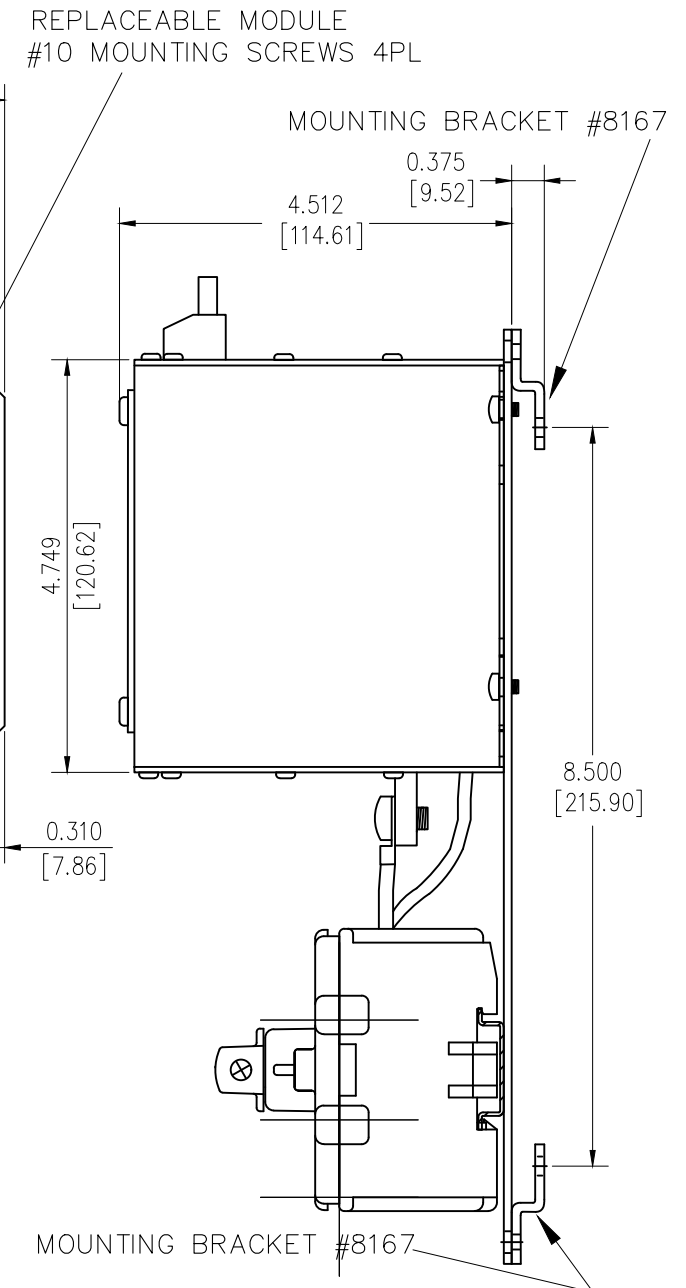
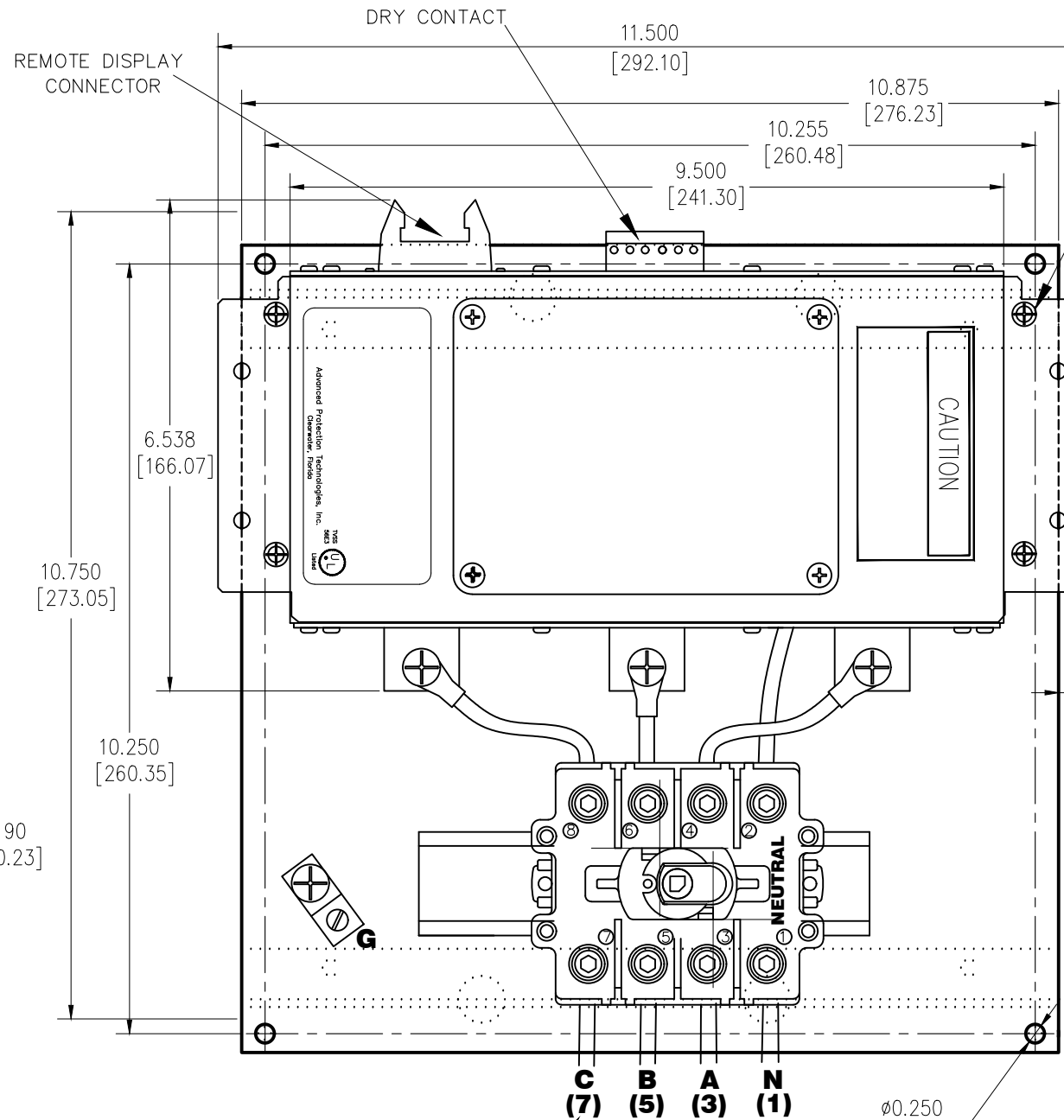
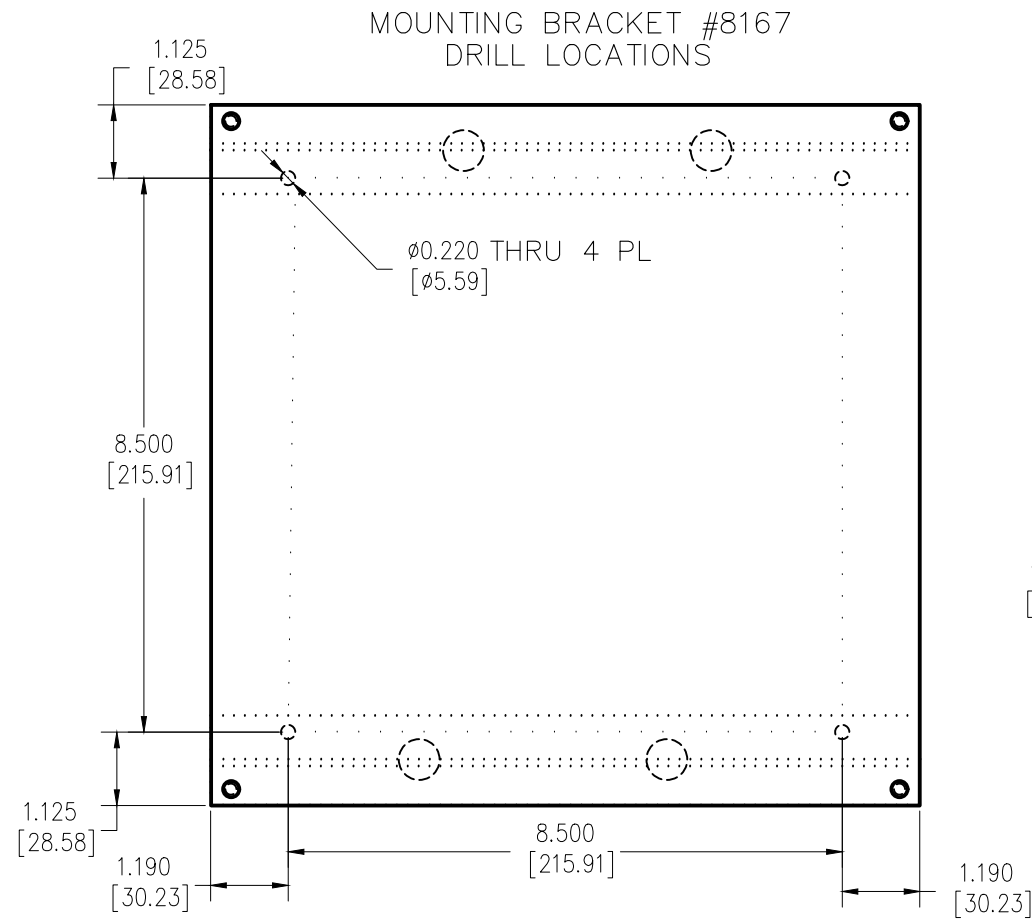
Third Angle Proj

Rev -

Sht 1

Dwg. No. SIE_DW_TPS30630

BORDERD Autocad filename: SIE_DW_TPS30630



SPECS.
 DESC: TPS3-06-300 INTERNAL MOUNT SPD WITH DISCONNECT
 KA RATING: 100-300
 In: 20KA
 DIM: 10.7"H x 11.5"W x 4.5"D
 MAT: ALUMINUM
 NEMA RATING: 1
 DEVICE WEIGHT: 6.8LBS. (3.0KG.)

05/03/11	Date	Unless otherwise specified dimensions are in inches. Tolerances are non-cumulative and are as follows unless specified otherwise. .XX ± .020 .XXX ± .005 Angular ± 2° Do not scale drawing		Confidential - Property of Siemens Industry, Inc. Building Technologies Division	
H. DRIGGERS	8/17/09			DRAWN H. DRIGGERS 8/17/09 ENGINEER M.J.G. 8/17/09 APPROVAL	
-	-	DWG NO. SIE_DW_TPS30630	REV -		