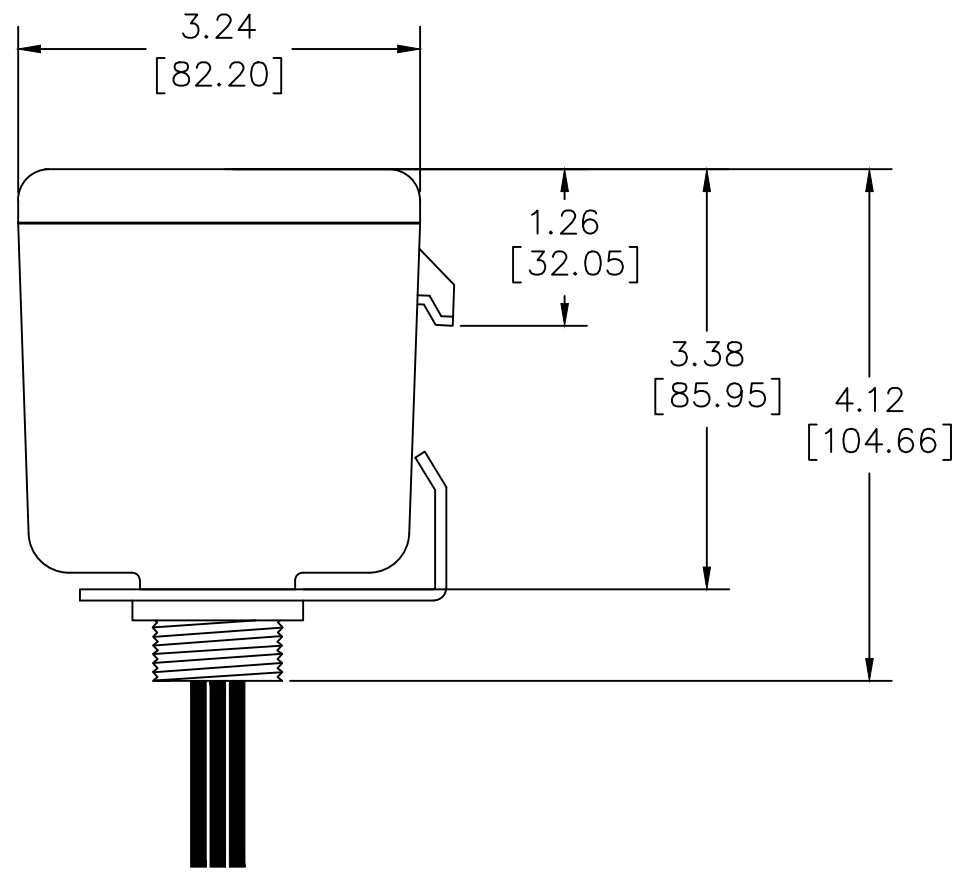
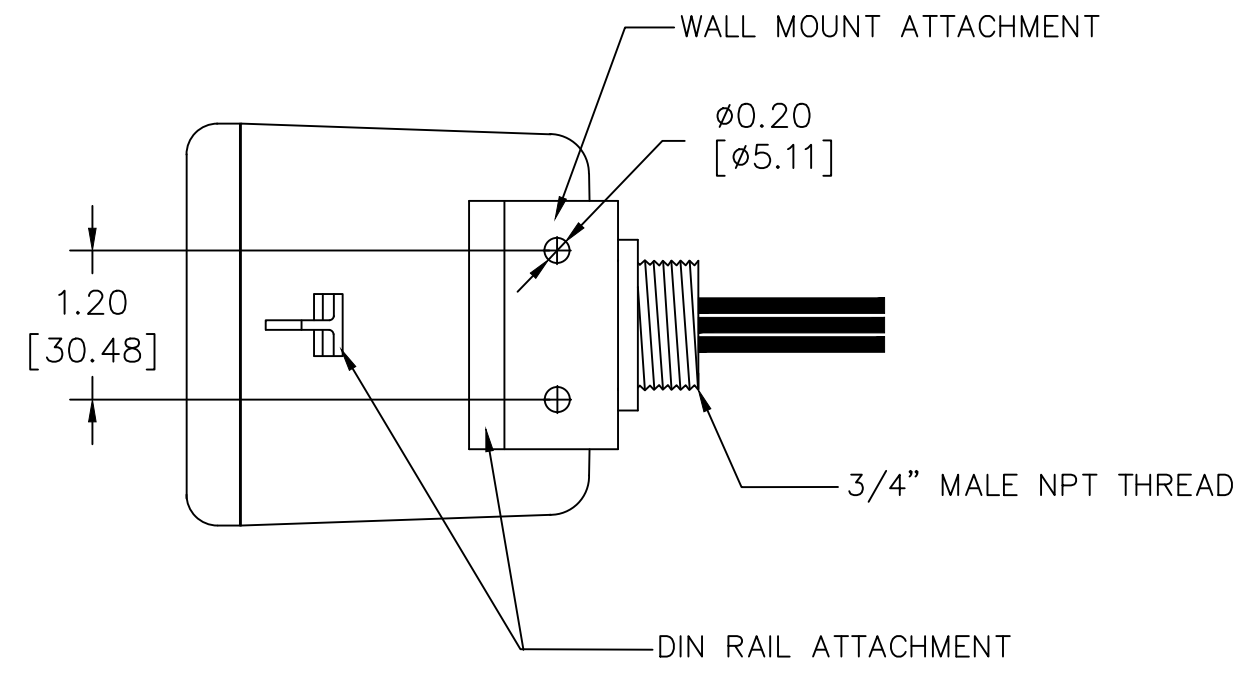
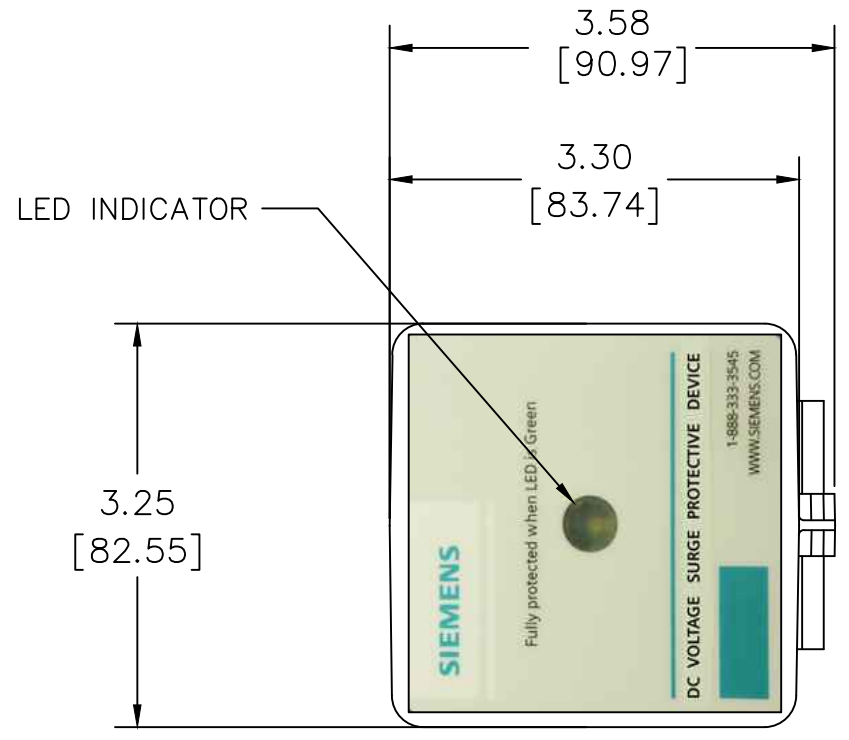


SURGE PROTECTIVE DEVICE (SPD)
WEIGHTS & DIMENSIONS
NEMA RATING: 4X NON METALLIC



ENCLOSURE SPECS.:
DESC: NON-METALLIC ENCLOSURE
DIM: 3.30"H x 3.25"W x 3.38"D
MAT: POLYCARBONATE (V2 & F1)
FINISH: GRAY
NEMA RATING: 4X
DEVICE WEIGHT: 1.6 LBS. (0.72 KG.)

Rev	C.N.	Date	Unless otherwise specified dimensions are in inches. Tolerances are non-cumulative and are as follows unless specified otherwise.		Confidential - Property of Siemens Industry, Inc. Building Technologies Division
			.XX	± .020	
			.XXX	± .005	DWG NO. SIE_DW_TPS30305DC-4X
			Angular	± 2°	
			Do not scale drawing		-
			DRAWN	JMB 06/09/11	SCALE NONE SHEET 1 of 1
			ENGINEER	MJG 06/09/11	
			APPROVAL	DP 06/09/11	