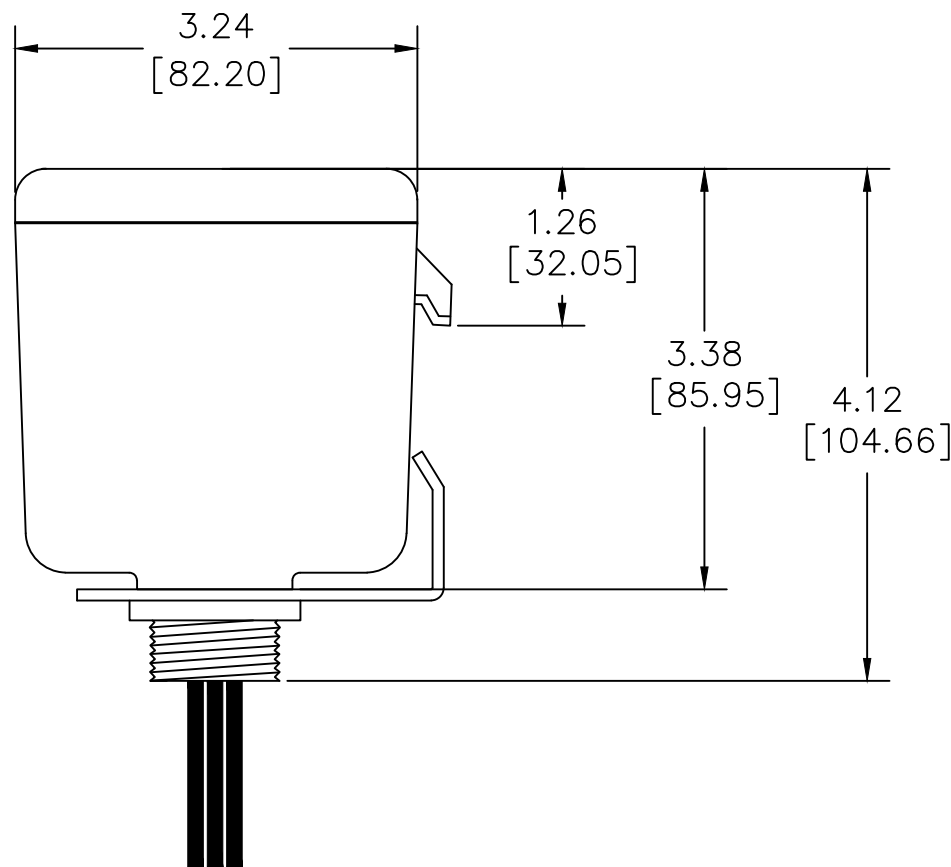
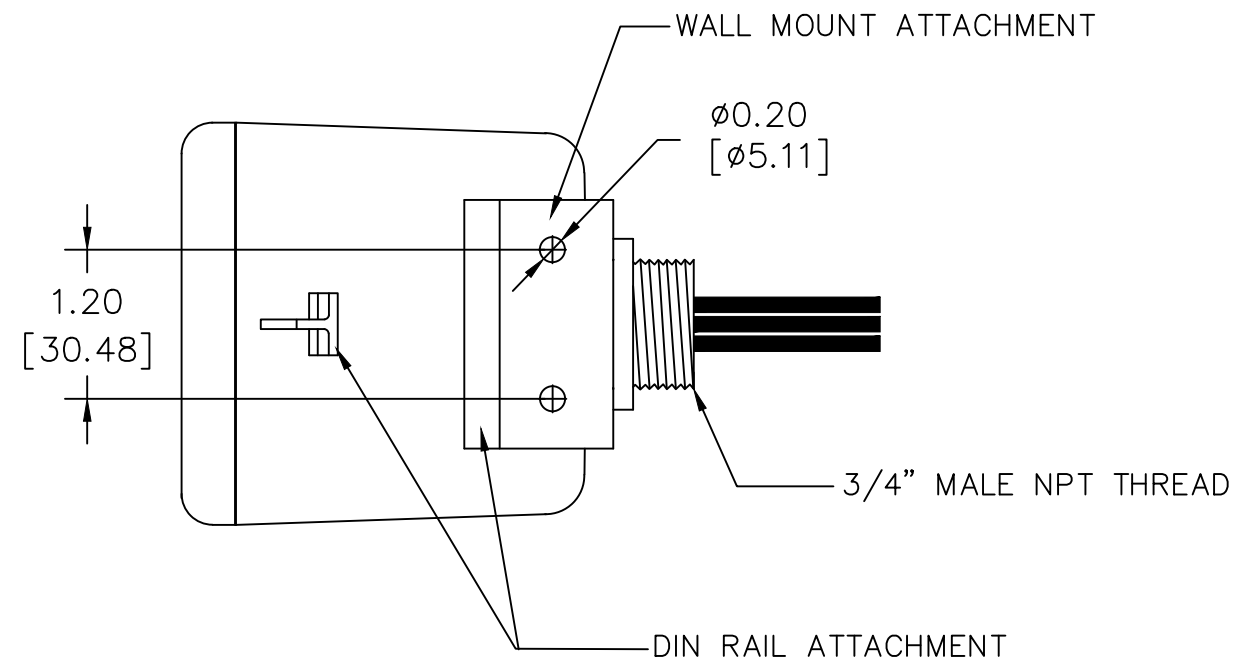
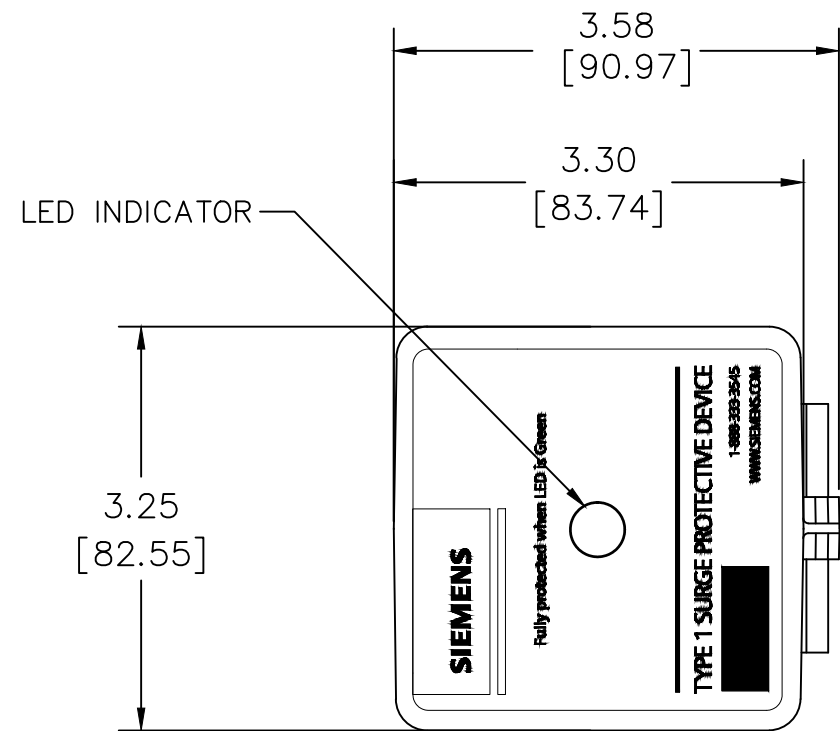


SURGE PROTECTIVE DEVICE (SPD)  
WEIGHTS & DIMENSIONS  
NEMA RATING: 4X NON METALLIC



ENCLOSURE SPECS.:  
DESC: NON-METALLIC ENCLOSURE  
DIM: 3.30"H x 3.25"W x 3.38"D  
MAT: POLYCARBONATE (V2 & F1)  
FINISH: GRAY  
NEMA RATING: 4X  
DEVICE WEIGHT: 1.6 LBS. (0.72 KG.)

Date	Unless otherwise specified dimensions are in inches. Tolerances are non-cumulative and are as follows unless specified otherwise.		Confidential - Property of <b>Siemens Industry, Inc.</b> Building Technologies Division
	.XX	± .020	
C.N.	.XXX	± .005	TPS3-03 SERIES 50K NEMA: 4X
	Angular	± 2°	
Rev	Do not scale drawing		DWG NO. SIE_DW_TPS30305-4X SCALE NONE
	△ - Denotes latest changes. □ - Critical dimension.		
	DRAWN H. DRIGGERS 8/17/09		
	ENGINEER MJG 8/17/09		
	APPROVAL		