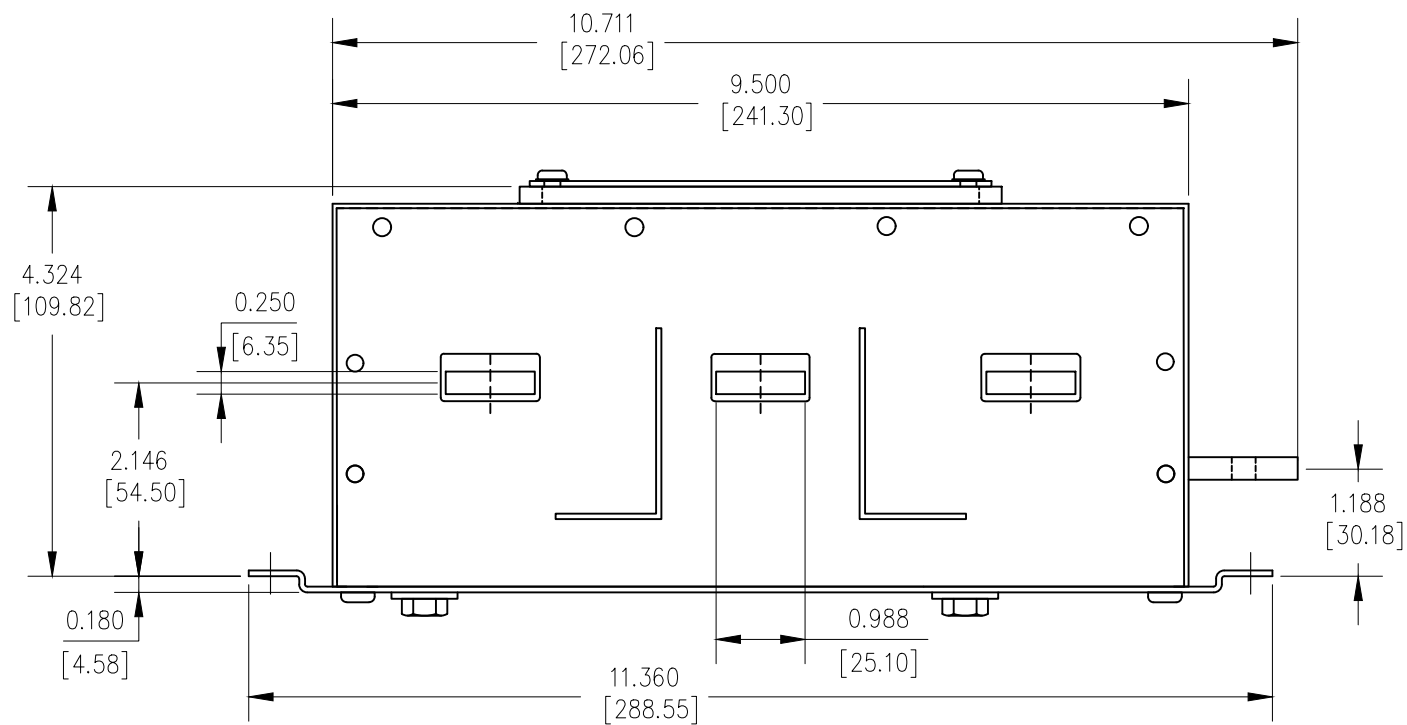
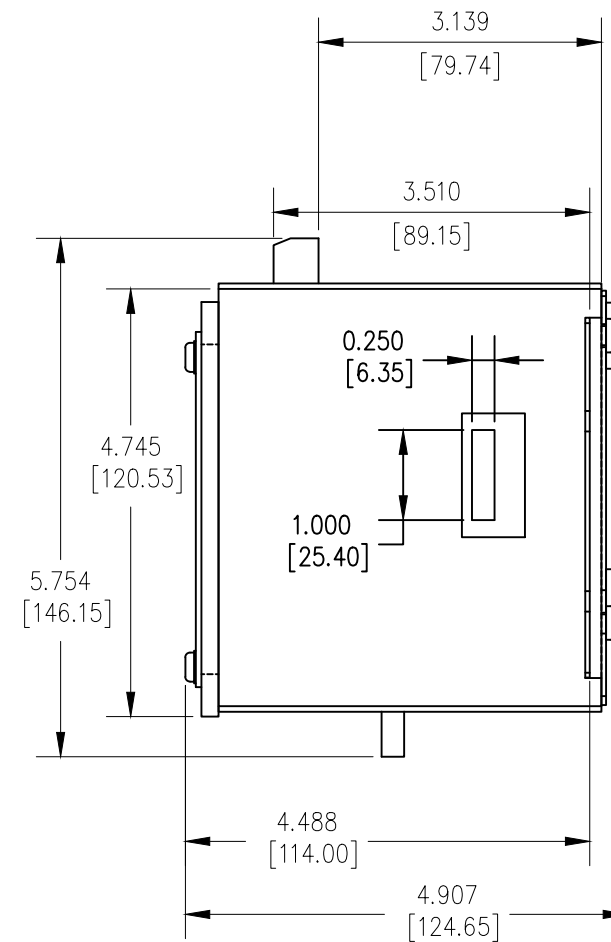
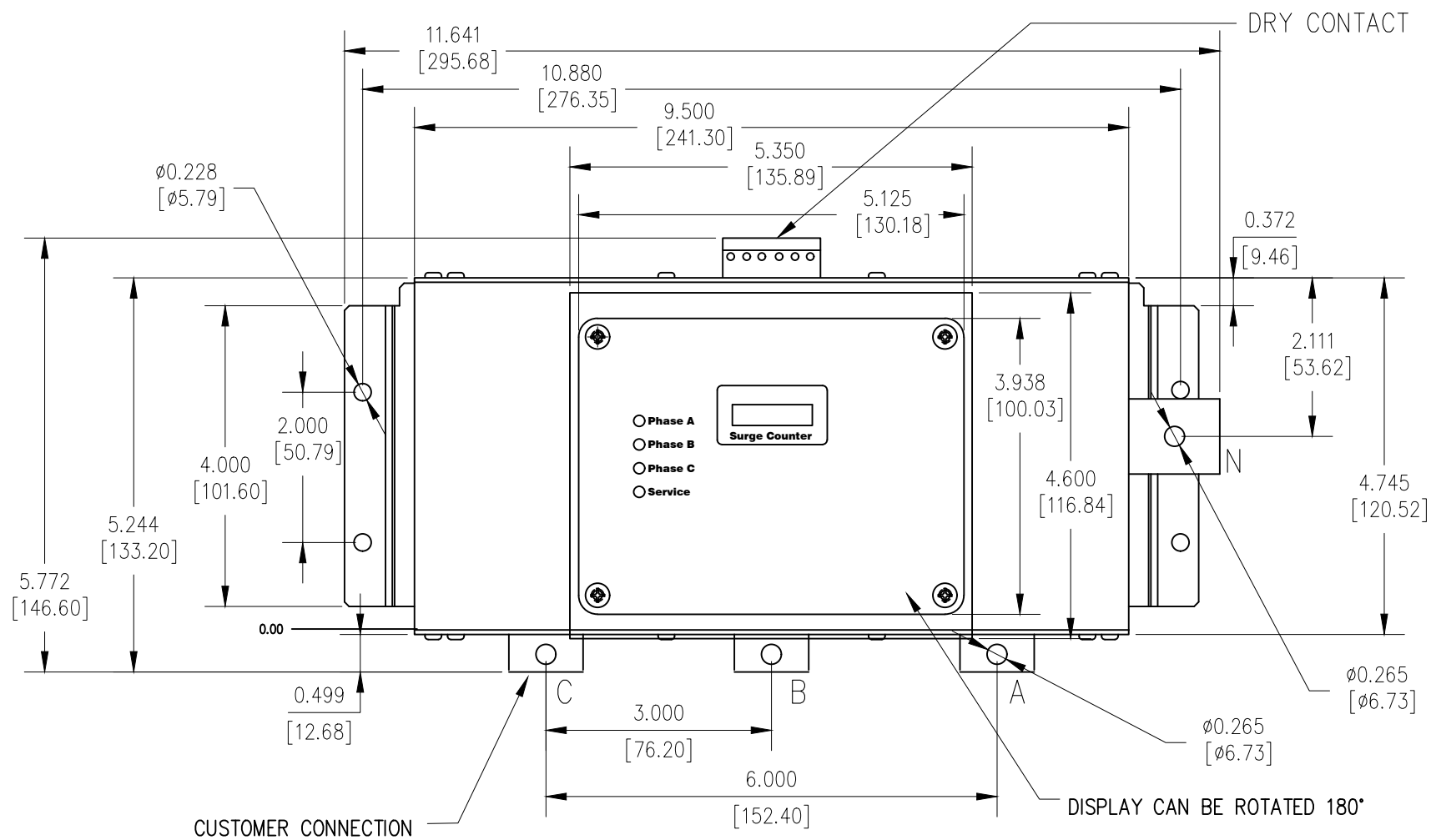


SURGE PROTECTIVE DEVICE (SPD) WEIGHTS & DIMENSIONS



SPECS.
 DESC: TPS3-02 SERIES SPD MODULE
 KA RATING: 100-300
 In RATTING: 20KA
 OVERALL DIM: 11.6"L x 5.7"W x 4.9"D
 MAT: ALUMINUM, 16 GAUGE
 FINISH: BLACK ANNOZIDED
 NEMA RATING: 1
 DEVICE WEIGHT: 4.55 LBS. (2.06 KG.)

Date		Unless otherwise specified dimensions are in inches. Tolerances are non-cumulative and are as follows unless specified otherwise. .XX ± .020 .XXX ± .005 Angular ± 2° Do not scale drawing	Confidential - Property of Siemens Industry, Inc. Building Technologies Division	
C.N.	Rev		TPS3-02 SERIES 100-300K SPD MODULE	
Rev		DRAWN DMP 8/02/14 ENGINEER MJG 8/02/14 APPROVAL	DWG NO.	REV
1			SIE_DW_TPS30230	-
			SCALE NONE	SHEET 1 of 1