

# SURGE PROTECTIVE DEVICE (SPD) WEIGHTS & DIMENSIONS

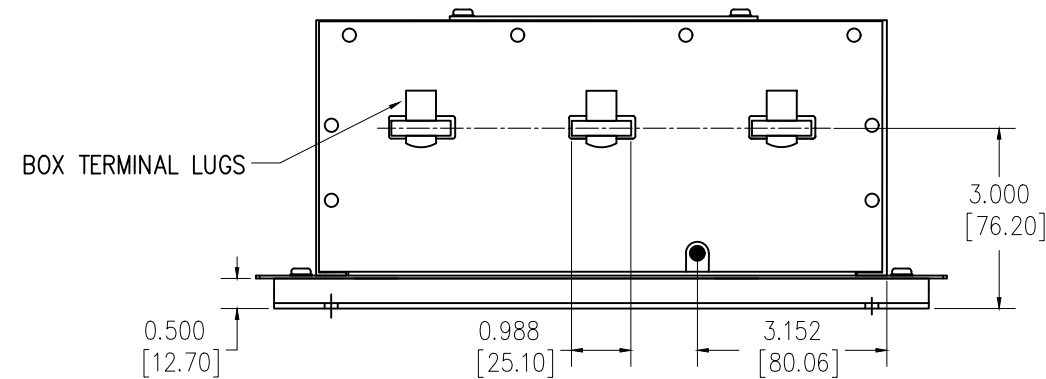
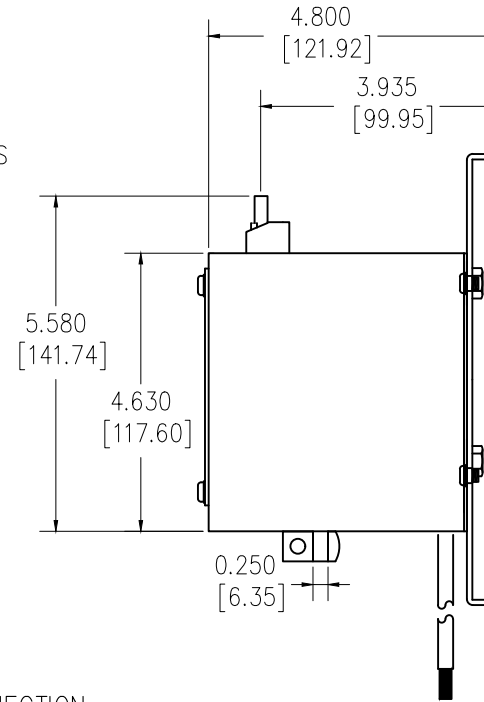
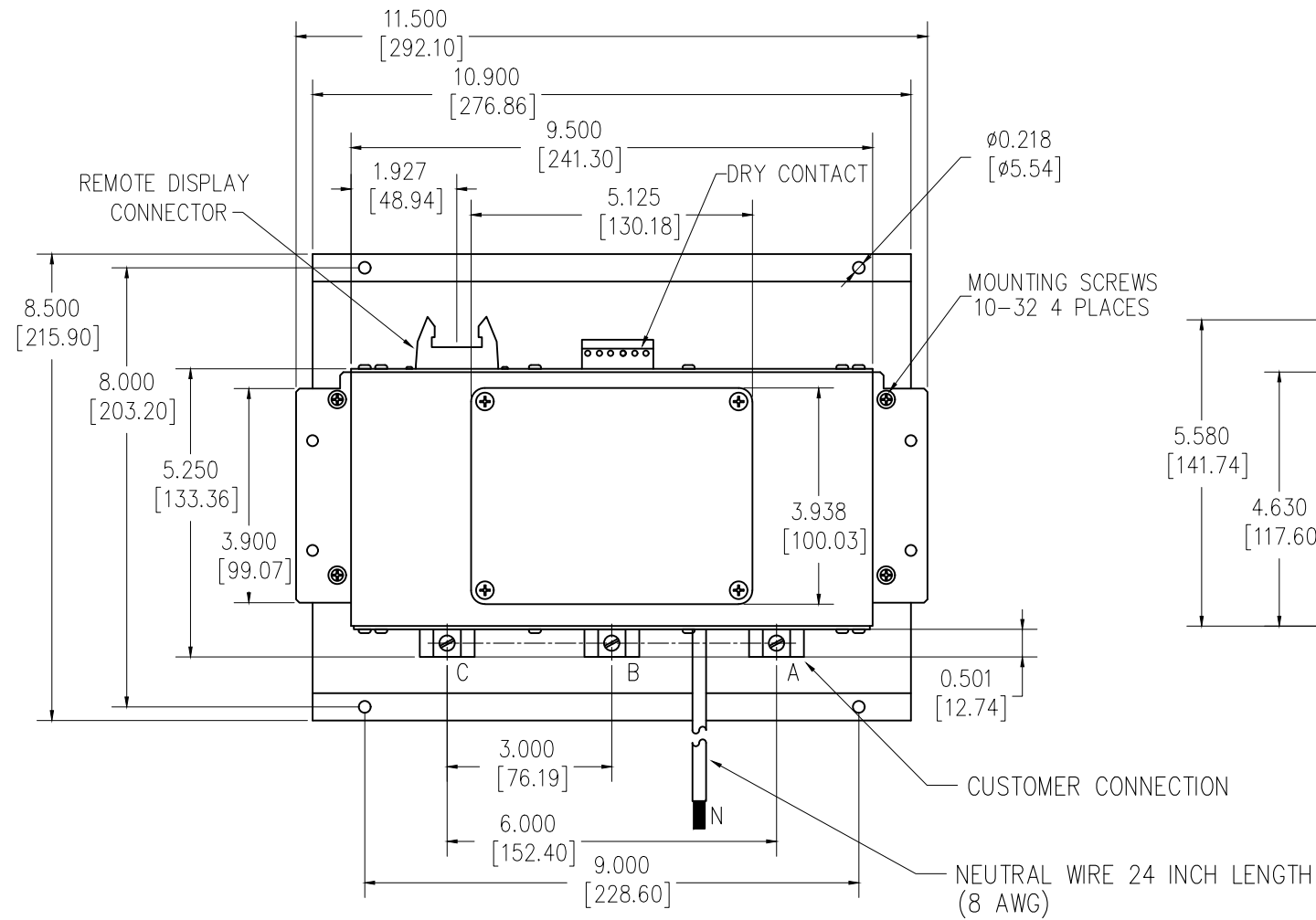
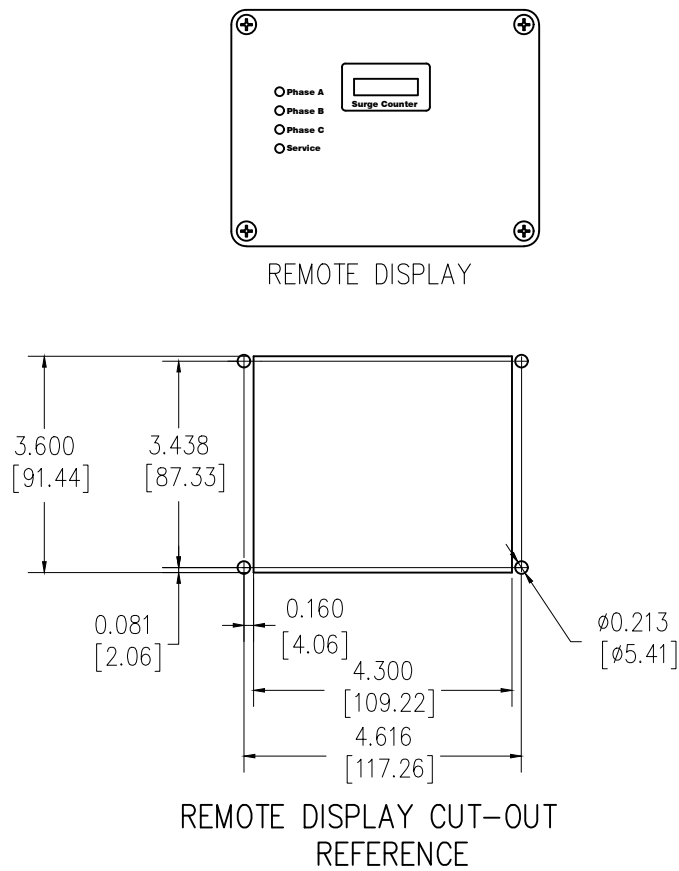
Third Angle Proj

Rev -

Sht 1

Dwg. No. SIE\_DW\_TPS30130-P

BORDERD Autocad filename: SIE\_DW\_TPS30130-P



**SPECS.**  
 DESC: TPS3-01-POWER MODULE SERIES SPD  
 WITH OPTION (P) POWER MODULE  
 KA RATING: 100-300  
 In RATING: 20KA  
 OVERALL DIM: 11"L x 8.5"W x 4.8"D  
 ENCL. MAT: ALUMINUM, 16 GAUGE  
 FINISH: BLACK ANNOXIDIZED  
 MODULE MOUNTED ON 0.090" THK ALUMINUM PLATE  
 NEMA RATING: 1  
 DEVICE WEIGHT: 6.55 LBS. (2.97 KG.)

Rev	C.N.	Date	Unless otherwise specified dimensions are in inches. Tolerances are non-cumulative and are as follows unless specified otherwise.		Confidential - Property of <b>Siemens Industry, Inc.</b> Building Technologies Division
			.XX	± .020	
			.XXX	± .005	TPS3-01 P OPTION 100-300K SPD MODULE
			Angular	± 2°	
			Do not scale drawing		
			DRAWN	H. DRIGGERS	7/7/12
			ENGINEER	M.J.G.	7/7/12
			APPROVAL		
			DWG NO. SIE_DW_TPS30130-P		REV -
			SCALE	NONE	SHEET 1 of 1