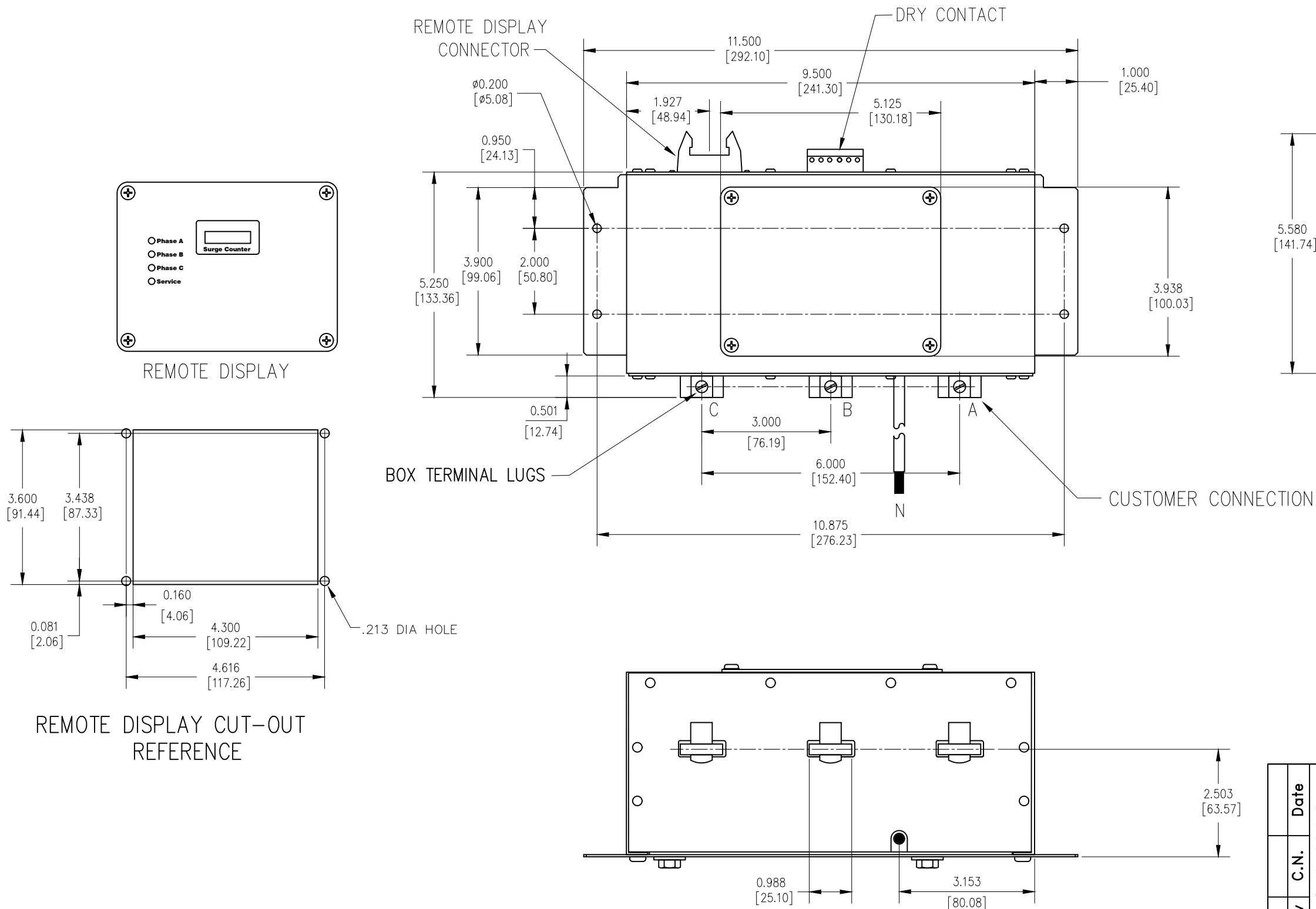


# SURGE PROTECTIVE DEVICE (SPD) WEIGHTS & DIMENSIONS



SPECS.  
 DESC: TPS3-01-MCC SPD MODULE  
 WITH OPTION (M) MOTOR CONTROL CENTER  
 KA RATING: 100-300  
 In RATTING: 20KA  
 OVERALL DIM: 11.5"L x 5.58"W x 4.5"D  
 MAT: ALUMINUM, 16 GAUGE  
 FINISH: BLACK ANNOZIDED  
 NEMA RATING: 1  
 DEVICE WEIGHT: 4.55 LBS. (2.06 KG.)

Rev	Date	Unless otherwise specified dimensions are in inches. Tolerances are non-cumulative and are as follows unless specified otherwise.		Confidential - Property of <b>Siemens Industry, Inc.</b> Building Technologies Division
C.N.		.XX ± .020	.XXX ± .005	
		Angular ± 2'	Do not scale drawing	TPS3-01-MCC 100-300K SPD MODULE
		DRAWN H. DRIGGERS 8/17/09		DWG NO. SIE_DW_TPS30130-M
		ENGINEER M.JG 8/17/09		SCALE NONE
		APPROVAL		SHEET 1 of 1