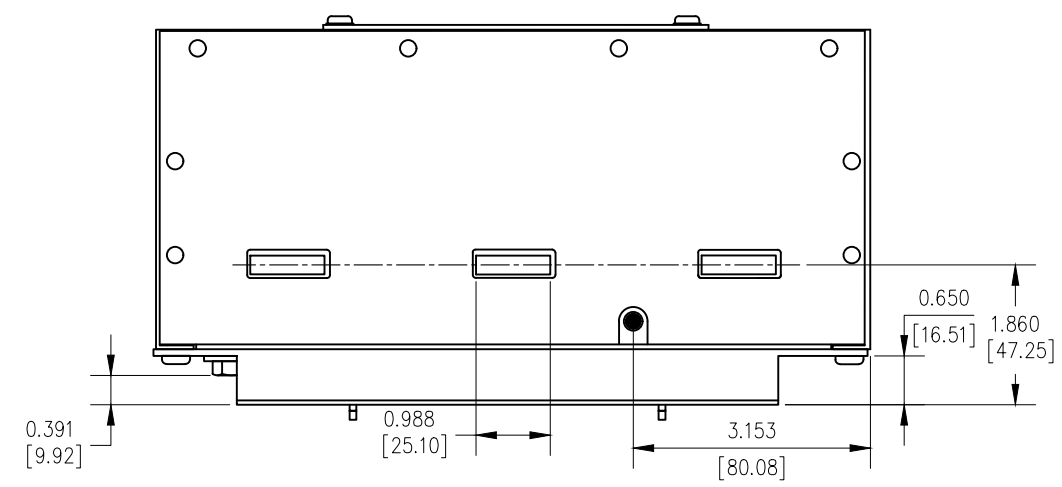
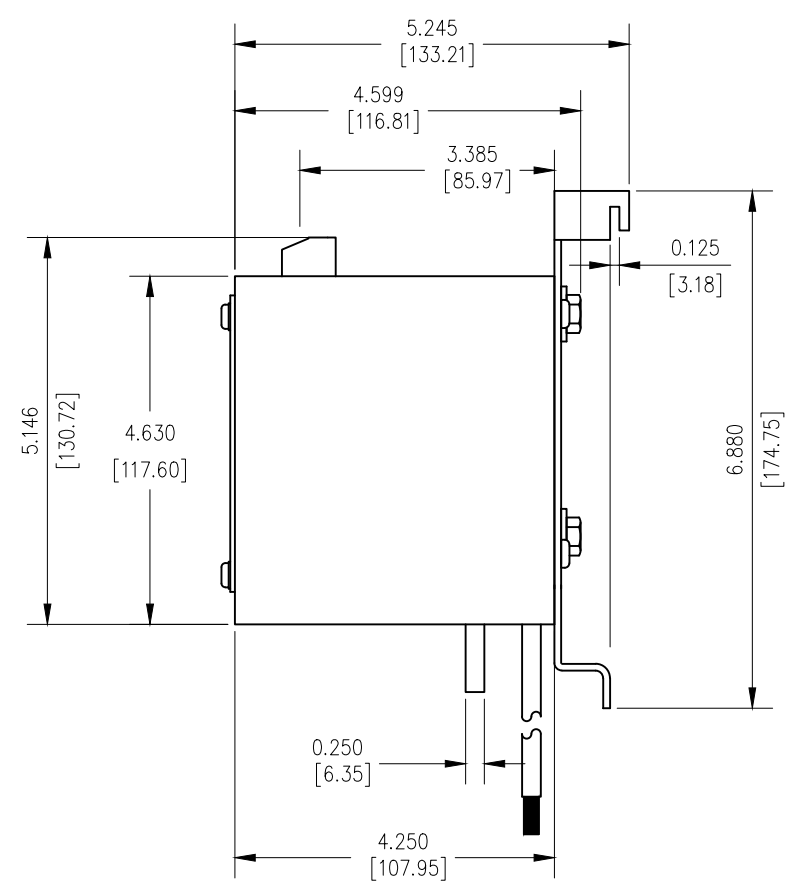
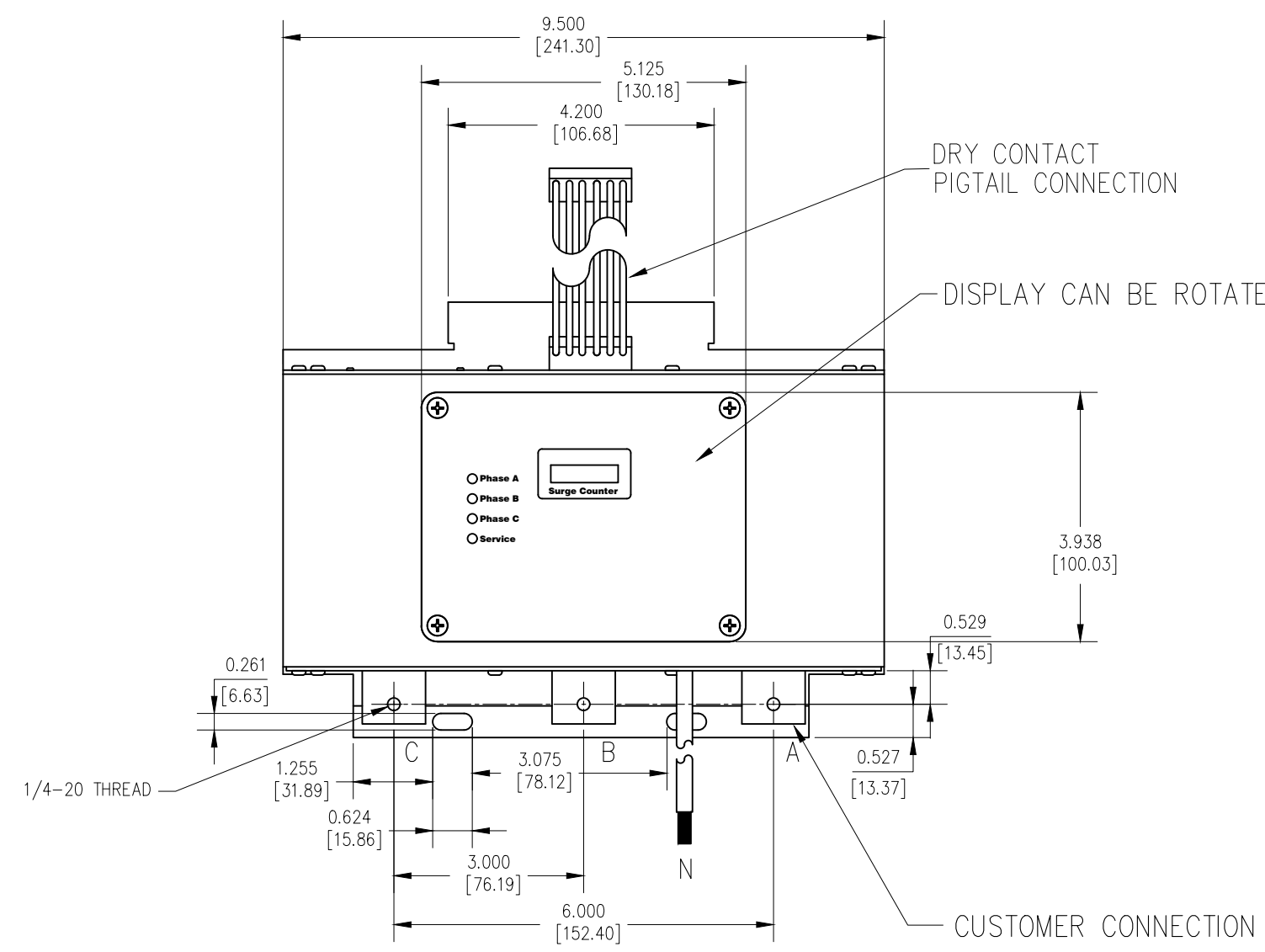


SURGE PROTECTIVE DEVICE (SPD) WEIGHTS & DIMENSIONS



SPECS.
 DESC: TPS3-01-BUS SERIES SPD MODULE
 WITH OPTION (B) BUSWAY
 KA RATING: 100-300
 In RATTING: 20KA
 OVERALL DIM: 9.5"L x 6.8"W x 5.25"D
 MAT: ALUMINUM, 16 GAUGE
 FINISH: BLACK ANNOIDIZED
 NEMA RATING: 1
 DEVICE WEIGHT: 4.55 LBS. (2.06 KG.)

Date	Unless otherwise specified dimensions are in inches. Tolerances are non-cumulative and are as follows unless specified otherwise.		Confidential - Property of Siemens Industry, Inc. Building Technologies Division
	.XX	± .020	
C.N.	.XXX	± .005	TPS3-01-BUS 100-300K SPD MODULE
	Angular	± 2°	
Rev	Do not scale drawing		DWG NO. SIE_DW_TPS30130-B SCALE NONE SHEET 1 of 1
	△ - Denotes latest changes. □ - Critical dimension.		
Rev	1	Rev	-