

# SURGE PROTECTIVE DEVICE (SPD) WEIGHTS & DIMENSIONS

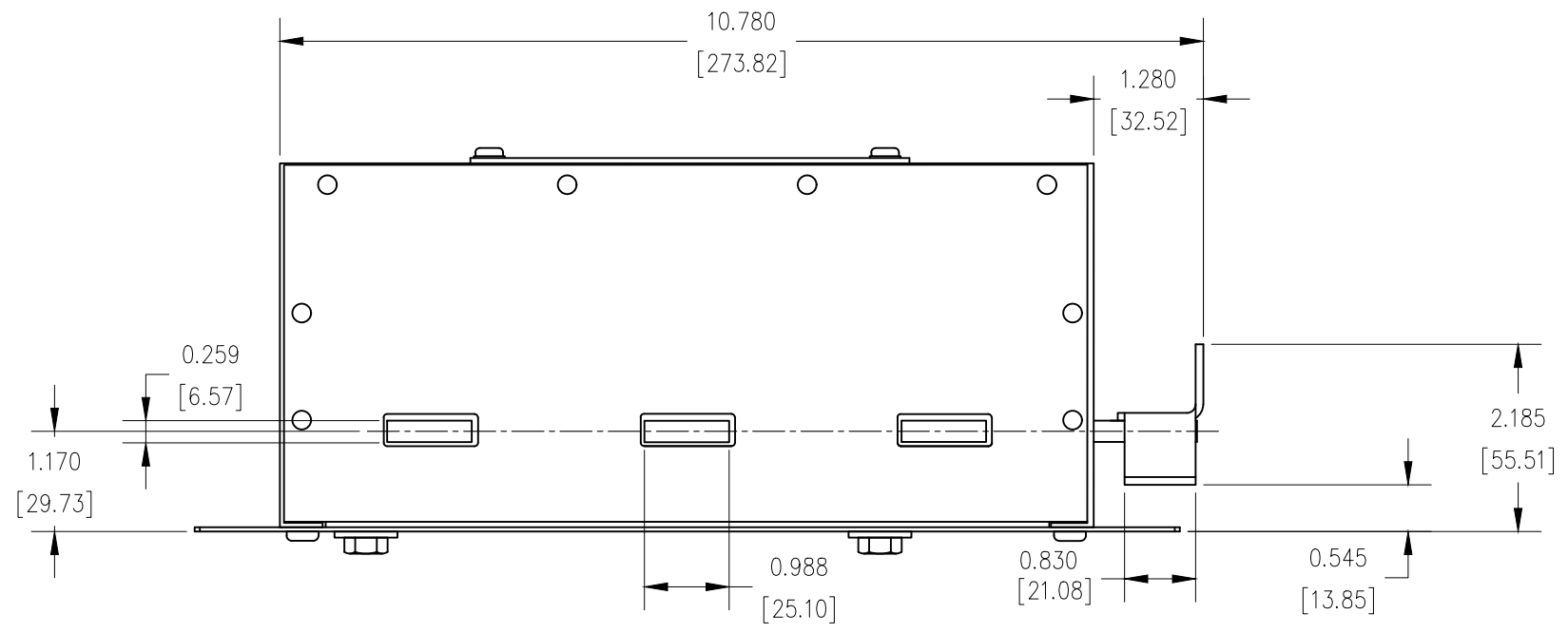
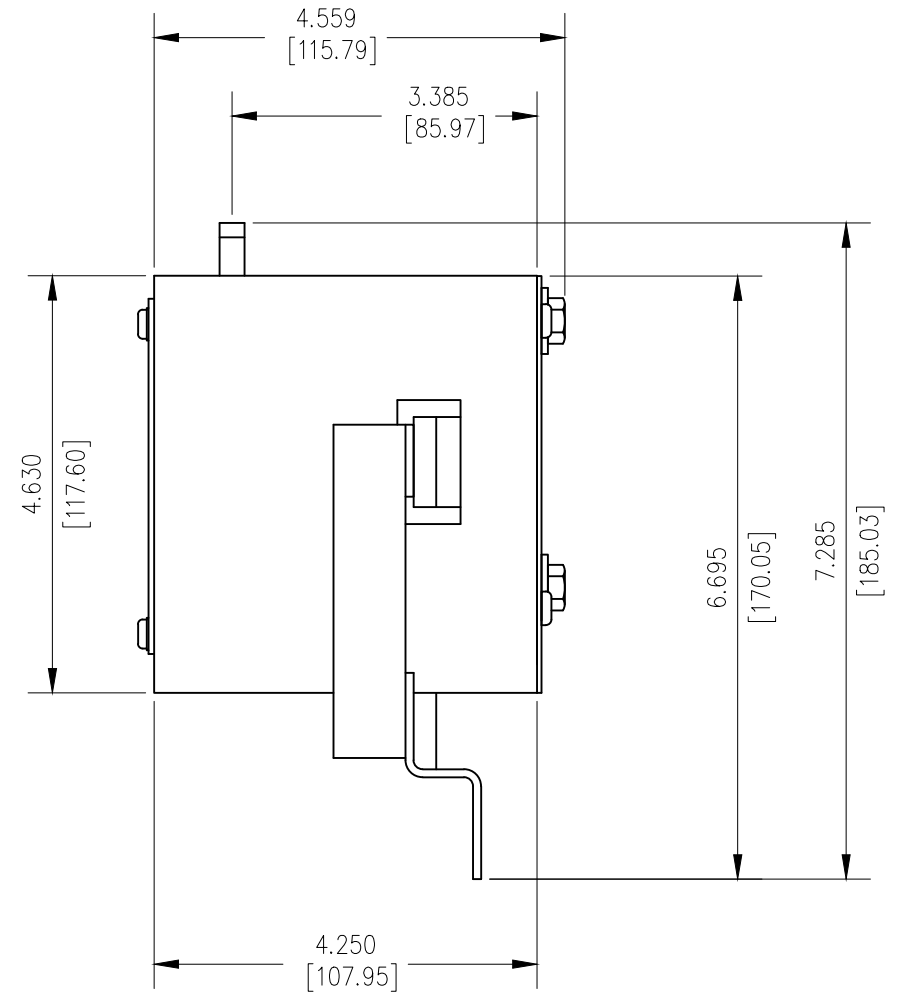
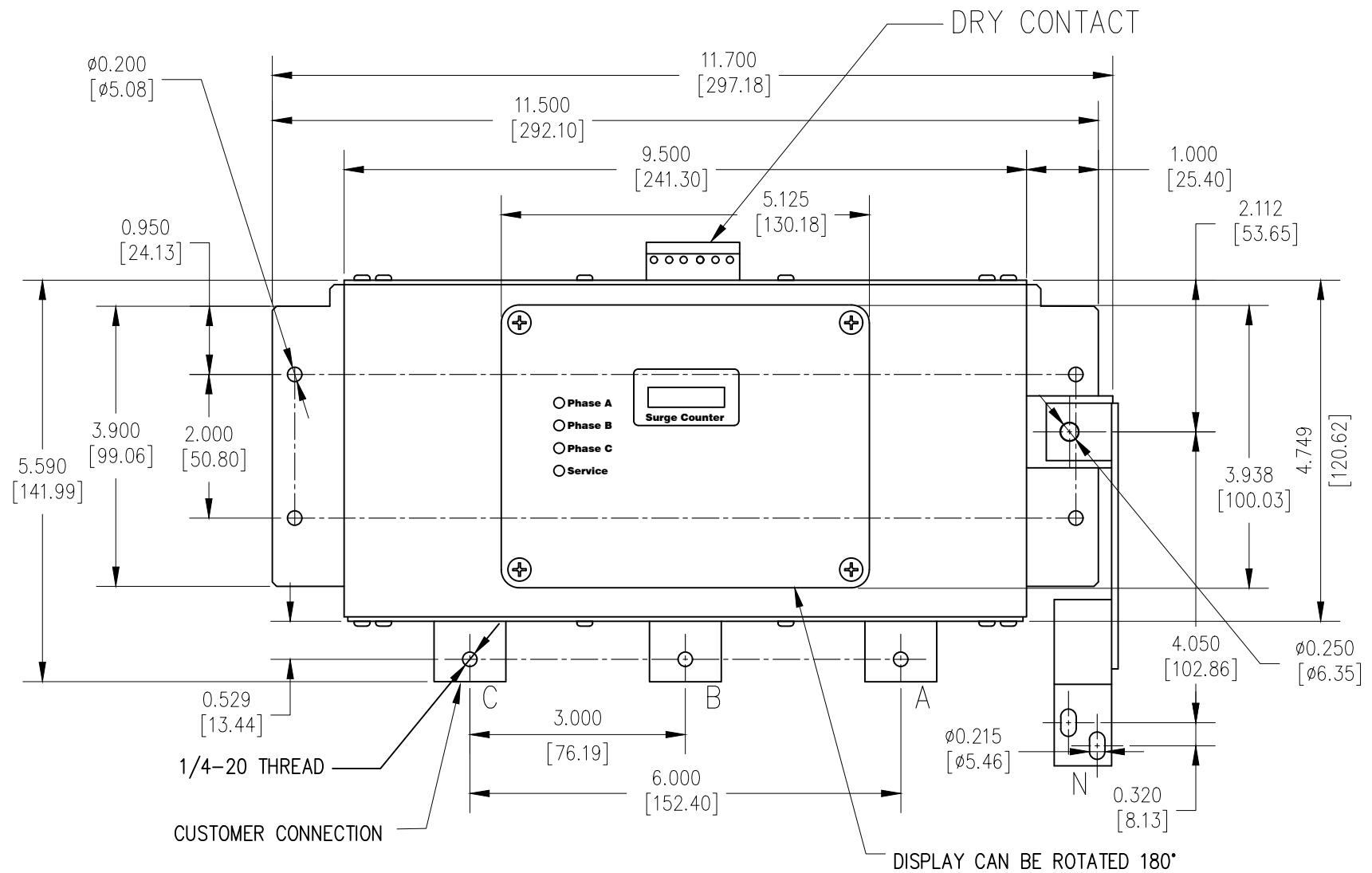
Third Angle Proj

Rev -

Sht 1

Dwg. No. SIE\_DW\_TPS30130

BORDERD Autocad filename: SIE\_DW\_TPS30130



SPECS.  
 DESC: TPS3-01 SERIES SPD MODULE  
 KA RATING: 100-300  
 In RATTING: 20KA  
 OVERALL DIM: 11.7"L x 7.2"W x 4.5"D  
 MAT: ALUMINUM, 16 GAUGE  
 FINISH: BLACK ANNOIDIZED  
 NEMA RATING: 1  
 DEVICE WEIGHT: 4.55 LBS. (2.06 KG.)

Rev	C.N.	Date	Unless otherwise specified dimensions are in inches. Tolerances are non-cumulative and are as follows unless specified otherwise. .XX ± .020 .XXX ± .005 Angular ± 2° Do not scale drawing	Confidential - Property of <b>Siemens Industry, Inc.</b> Building Technologies Division	
1				DWG NO.	SIE_DW_TPS30130
				SCALE	NONE
				SHEET	1 of 1