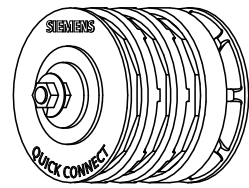


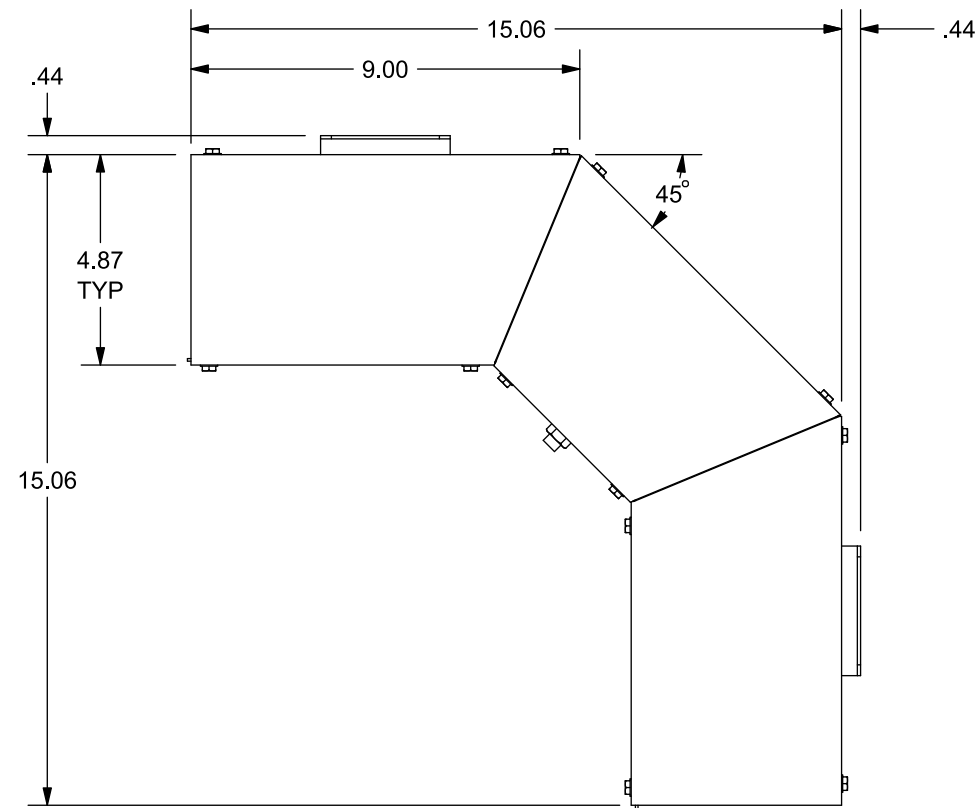
## Features and Ratings

- Type 1 Indoor Enclosure
- 1200 Amps Max.
- 100,000 AIC Rating Max.
- For mounting on internal corners
- (1) QuickConnect™ included

| Catalog Number | Rating  |
|----------------|---|
| BE1            | 1200A Max, 1 Phase, 3 Wire ; 120/240V AC Max. |
| BE4            | 1200A Max, 3 Phase, 4 Wire ; 240V AC Max.     |



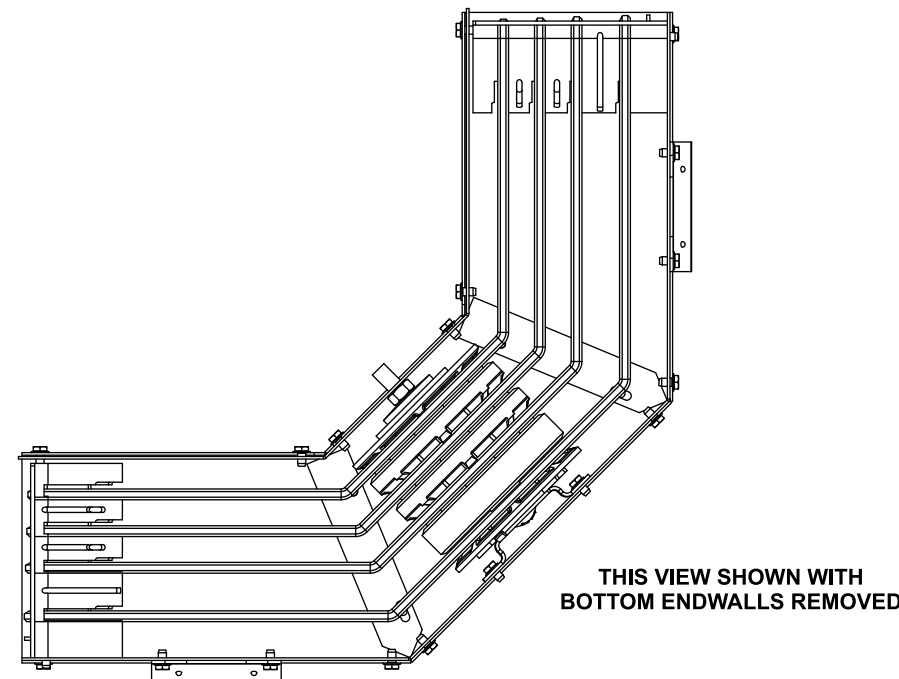
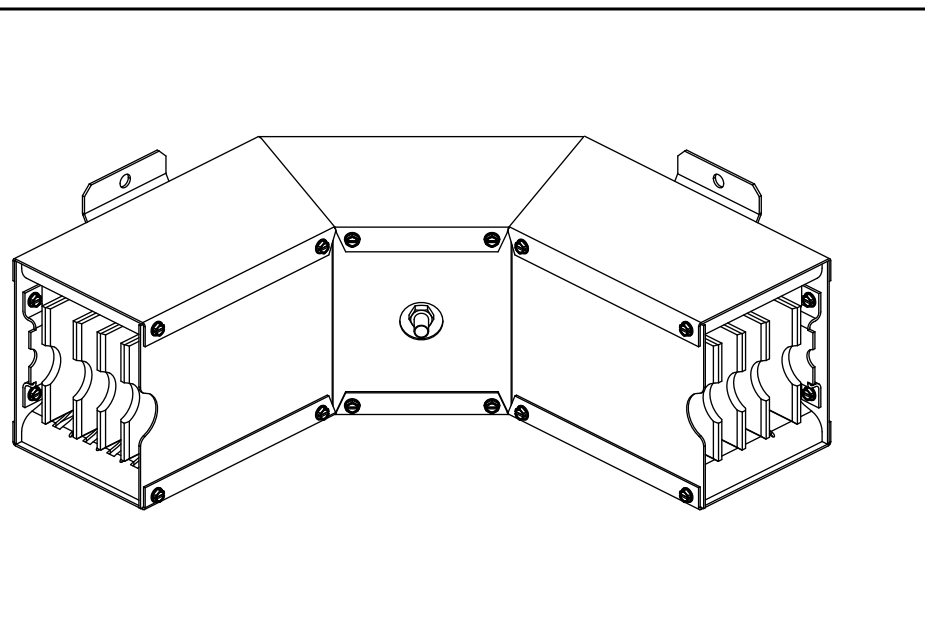
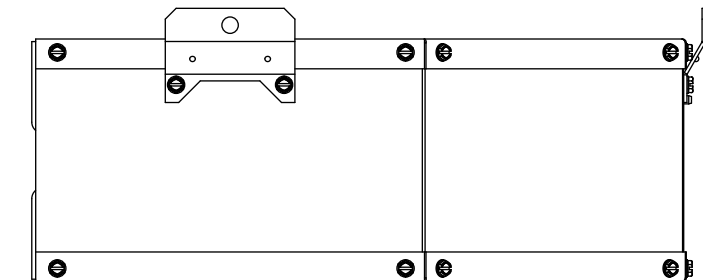
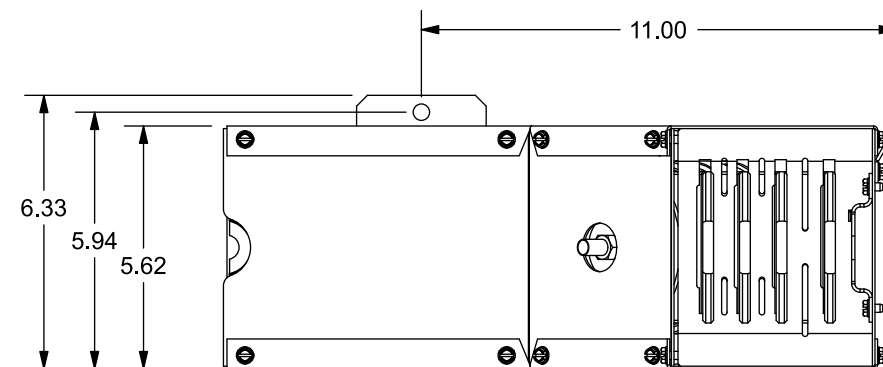
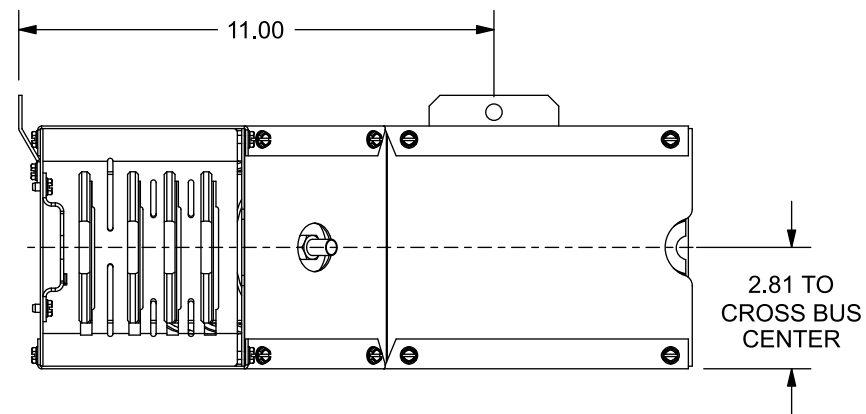
**QuickConnect™ Included**



## Additional Modules

| FOR USE WITH:      |   |
|--------------------|---|
| Module Description | Siemens Series#                             |
| Main Breakers      | (W)MC, WB, WEB, WXB, WBT                    |
| Switches           | WMP, WMS, WS, WES                           |
| Tap/Terminal Boxes | WMTB, WTB, WET, WT_PU                       |
| Pull Boxes         | WMMB  |
| Meter Module       | (W)MM, WxMM, (W)MT, (W)ML, (W)MK, (W)MLZ(F) |
| Meter Combinations | WC, WCL, WCT                                |
| Extension Box      | WMEX, WSP, WSPD                             |
| BusSED Elbow       | BE, WELB                                    |

| Connect Modules Using: | Catalog Number / Torque                   |
|------------------------|---|
| QuickConnect, 1 Phase  | QC1, Torque 400-440 lb-in (35-36 ft.-lb.) |
| QuickConnect, 3 Phase  | QC4, Torque 400-440 lb-in (35-36 ft.-lb.) |



**BE4 (3 Phase) SHOWN**

© 2016 Copyright Siemens Industry, Inc.

**SIEMENS**  
Siemens Industry, Inc.

**PowerMod™ Modules/Accessories**

Description: **Indoor Bussed Elbow,  
1200A Max., 15"**

KAM 6/14/16 DO NOT SCALE DRAWING Dwg No: **BE1-BE4**