



TEL (915) 590-8500
FAX (915) 590-8510

4.63"

.75"

SIEMENS

Cat. No. HNF361PV Non-Fusible Heavy Duty Safety Switch Type VB II
30 Amps Maximum Indoor 600 Volts DC (V_{DC}) Maximum

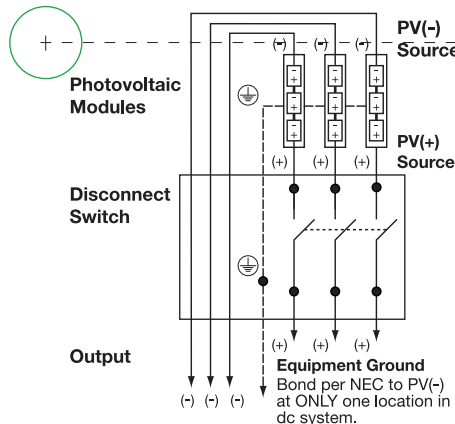
Suitable for use in accordance with NEC Article 690 for Photovoltaic Installations.

Fuse and Short Circuit Information

This switch is suitable for use on a circuit capable of delivering not more than 10,000 amperes, 600 volts DC maximum, when protected by fuses marked with an interrupting rating of 10,000 amperes, 600 volts DC.

Negative Grounded Conductor

This switch is ONLY suitable for use with a system where the Negative polarity conductor from the PV array is connected to ground. Reversing the connections shown on the interior label diagram will hinder switch operation and cause fire or serious injury. Wire only according to diagram.



WIRE ONLY ACCORDING TO DIAGRAM

⚠ DANGER

Hazardous voltage. Will cause death or serious injury.

- Disconnect and lock out power supplying this switch before working on this switch.
- Turn off switch before removing or installing fuses if so equipped.
- Always use a properly rated voltage sensing device on all fuse clips (Fusible) or all load side terminals (Non-Fusible) to confirm switch is off.
- Close or replace cover before turning power on.

Negative Grounded Conductor system ONLY. Reverse wiring will cause death, fire or serious injury.

- Wire switch ONLY per interior label diagram.
- Use only on systems where the PV array negative conductor is at the same potential as round.

7.44"

3.70"

Terminal & Wire Information USE 60°C / 75°C COPPER OR ALUMINUM WIRE

Description	Wire Range	Tightening Torque ⁵	Lug Mounting Torque ⁵
Line, Load & Grounded Conductor Terminal	(1) 14-6 AWG (2) 14-10 AWG	35 lb-ins. 14-10 AWG / 40 lb-ins. 8 AWG 45 lb-ins. 6-4 AWG	24 lb-ins.
Service Ground	14-4 AWG	35 lb-ins. 14-10 AWG / 40 lb-ins. 8 AWG 45 lb-ins. 6-4 AWG	24 lb-ins.

Inspection record number:

Accessories

Aux. Switch (1NO - 1NC)	HA161234	Compression Lug Neutral Barrier Kit	HCL612	Isolated Ground Lug Kit	HG261234
Aux. Switch (2NO - 2NC)	HA261234	Grounded Conductor Terminal	HN612	Wire Grip Kit (Cu)	HLC612
Low Voltage Aux. Sw. (1NO - 1NC)	HA361234	Ground Lug Kit (Wire Range 14-4 AWG)	HG61234	Hub Kits	

Protected by one or more of the following US Patents: 6,134,979, 6,356,460, 5,945,650, 5,990,439.

Additional Patents Pending

⁵ When tightening or replacing connectors, refer to lug mounting torque in Terminal & Wire Information Table.

For questions on this device please call 1-800-241-4453

Siemens Industry, Inc.
Norcross, GA 30092 USA
<http://www.usa.siemens.com/powerdistribution>
Assembled in Mexico

Pc. No. 500172BM01
0410

R .125" X4

COMPANY NAME	MATERIAL	SIZE	JOB WILL NOT BE PRINTED UNLESS APPROVED BY CUSTOMER.		PART NO.
SIEMENS INDUSTRY/MTR	Synthetic Paper	WIDTH 4.63"	<input type="checkbox"/> OK TO PRINT AS IS	<input type="checkbox"/> MAKE CORRECTIONS, RESUBMIT CORRECTED PROOF	500172BM01 A7B91501321153
THIS DOCUMENT IS THE PROPERTY OF LABELTECH, INC. IT'S USE IS AUTHORIZED ONLY FOR RESPONDING TO A REQUEST FOR QUOTATION OR FOR THE PERFORMANCE OF WORK REQUESTED FROM LABELTECH, INC. ALL QUESTIONS MUST BE REFERRED TO THE LABELTECH, INC. PRODUCTION DEPARTMENT.	INK COLORS	LENGTH 7.44"	<input type="checkbox"/> OK TO PRINT WITH CORRECTIONS AS MARKED		DESCRIPTION: Interior Label
	BLACK 185 RED	CORNER RADIUS .125"	AUTHORIZED BY		2ND LABEL: 500317AN00
			DATE		REVISION LEVEL 39P
					DESIGNER Joel Ortega
					CHECKED BY
					DATE 06/12/12