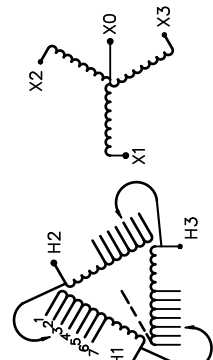


1	CHANGED NPL VER:	16/05/04	RM	VERIF'D	
				CHEK'D	
				DRAWN	05/10/24
				BY	CY

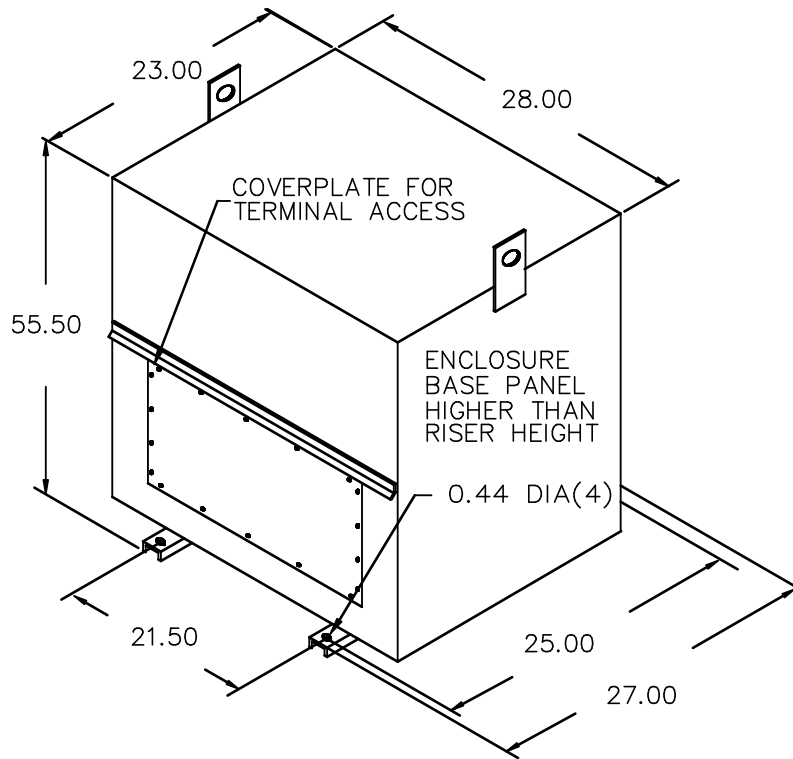
CUSTOMER		
ORDER NO.	DWG. NO.	1
	3F3Y075CSSN4X	SH 1 OF 2

Confidential - Property of  
Siemens Industry, Inc.

# SIEMENS

<p>CATALOG NO. 3F3Y075CSSN4X</p> <p>SERIAL NO. SERIES H</p> <p>75 kVA 60 Hz 3 PHASE</p> <p>2.9 % IMP AT 170 °C</p> <p>150 °C RISE 30 °C AVG. AMBIENT</p> <p>220 °C TEMP CLASS 40 °C MAX. AMBIENT</p> <p>PRIMARY ( H1 H2 H3 ) 480 V</p> <p>SECONDARY(X0 X1 X2 X3 ) 208Y/120 V</p> <p>WINDING MATERIAL CU</p> <p>ENCLOSURE TYPE 4X</p> <p>WEIGHT 850 LBS</p>	 <p style="text-align: center;">VOLTS CONNECT</p> <table style="margin-left: auto; margin-right: auto;"> <tr><td>504</td><td>1</td></tr> <tr><td>492</td><td>2</td></tr> <tr><td>480</td><td>3</td></tr> <tr><td>468</td><td>4</td></tr> <tr><td>456</td><td>5</td></tr> <tr><td>444</td><td>6</td></tr> <tr><td>432</td><td>7</td></tr> </table>	504	1	492	2	480	3	468	4	456	5	444	6	432	7	<p style="text-align: center;">TYPE KN</p> <p>UL LISTED</p> <p>UL DRY TYPE TRANSFORMER E112313 LR 3902</p> <p style="text-align: right;">9100016</p>
504	1															
492	2															
480	3															
468	4															
456	5															
444	6															
432	7															
<p>SPACINGS BETWEEN ENCLOSURE PANEL AND ANY ADJACENT WALL SHALL BE A MINIMUM OF 5 INCHES EXCEPT WHEN WALL MOUNTED USING APPROVED WALL MOUNTING KIT.</p> <p>SUITABLE FOR INDOOR OR OUTDOOR LOCATIONS BEFORE HANDLING, INSTALLING AND OPERATING, SEE INSTRUCTION MANUAL</p> <p>NEMA Class ANC Dry Type Transformer Siemens Industry, Inc. Norcross, GA</p>																





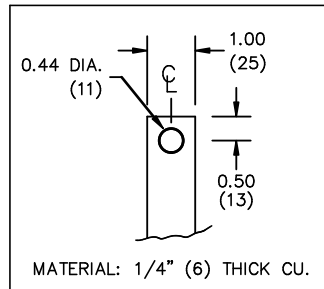
All Dimensions in inches

ENCLOSURE COLOR :304 STAINLESS STEEL #4 FINISH

H.V.1. TERMINAL DETAIL

L.V.1. TERMINAL DETAIL

MECHANICAL TYPE LUGS INCLUDED  
SUITABLE FOR 250MCM-6 CU/AL  
CONDUCTORS  
1 CONDUCTOR PER PHASE



CUSTOMER NOTES:

- HV1 TERMINATED AT TOP FRONT
- LV1 TERMINATED AT BOTTOM FRONT
- C/W STAINLESS STEEL NAME PLATE

Confidential - Property of  
Siemens Industry, Inc.

REVISION	DATE	BY	DATE	BY
			05/10/24	CY
1	16/05/04	RM		

CUSTOMER		
ORDER NO.	DWG. NO.	1
	3F3Y075CSSN4X	SH 2 OF 2

1.0 rmova 2016/05/04 12:25