

REVISION	DATE	BY	DATE	BY
		DRAWN	07/02/09	GP
		CHEK'D		
		VERIF'D		

Confidential - Property of
Siemens Industry, Inc.
 Building Technologies Division

CUSTOMER

ORDER NO. DWG. NO.
 1D1Y100FCTP1 SH 1 OF 2

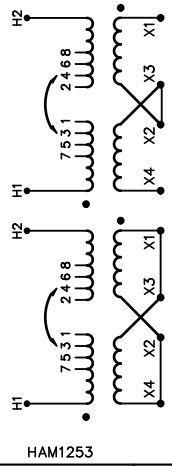
SIEMENS

CATALOG NO. 1D1Y100FCTP1
 SERIAL NO. SERIES H
 100 kVA 60 Hz 1 PHASE
 3.7 % IMP AT 135 °C

115 °C RISE 30 °C AVG. AMBIENT
 220 °C TEMP CLASS 40 °C MAX. AMBIENT

PRIMARY (H1 H2) 240X480 V
 SECONDARY(X4 X2 X3 X1) 120/240 V

WINDING MATERIAL CU
 ENCLOSURE TYPE NEMA-3R
 WEIGHT 1150 LBS



VOLTS	CURRENT	%RATED VOLTAGE	CONNECTION EACH PHASE
504	198	105	1-2
492	203	102.5	2-3
480	208	100	3-4
468	214	97.5	4-5
456	219	95	5-6
444	225	92.5	6-7
432	231	90	7-8
240	416		H1-4, H2-3
228	438		H1-6, H2-5
216	462		H1-8, H2-7

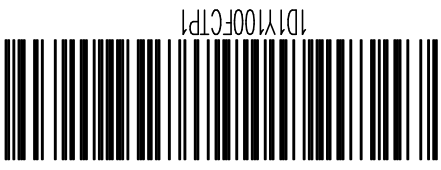
SPACINGS BETWEEN ENCLOSURE AND ANY ADJACENT WALL SHALL BE A MINIMUM OF 6 INCHES

MEETS TP-1-2002 EFFICIENCY

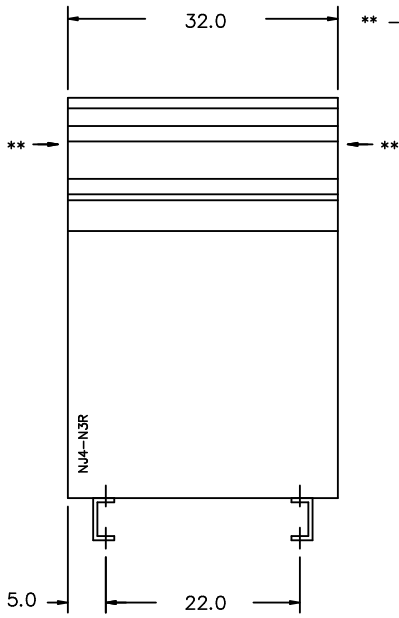
SUITABLE FOR INDOOR OR OUTDOOR LOCATIONS DO NOT INSTALL IN AREAS ACCESSIBLE TO PUBLIC FOR INSTALLATION SEE INSTRUCTION MANUAL

NEMA Class ANN Dry Type Transformer Siemens Industry, Inc. Norcross, GA

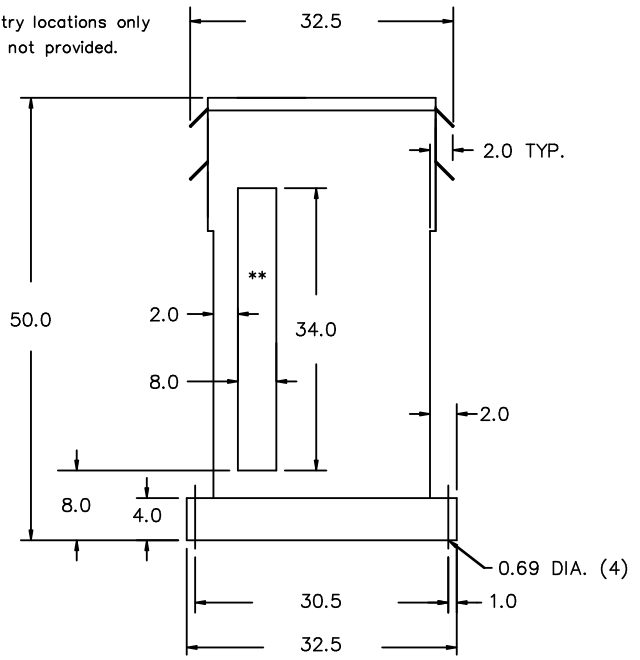
LISTED DISTRIBUTION TRANSFORMER 77US
 TYPE LR 3902
 E112313



FRONT VIEW



SIDE VIEW



All Dimensions in inches

ENCLOSURE COLOR : ANSI 61 GREY - OUTDOOR

CUSTOMER NOTES:

- HV1 TERMINATED AT TOP FRONT
- LV1 TERMINATED AT TOP REAR
- FOR CONSTRUCTION DETAILS, SEE DRAWING B1D1Y100FCTP1

Confidential - Property of
Siemens Industry, Inc.
 Building Technologies Division

REVISION	DATE	BY	DATE	BY	CUSTOMER		
			07/02/09	GP			
			CHEK'D				
			VERIF'D				
					ORDER NO.	DWG. NO.	
						1D1Y100FCTP1	SH 2 OF 2

0.5 jwen 2010/01/21 13:28