

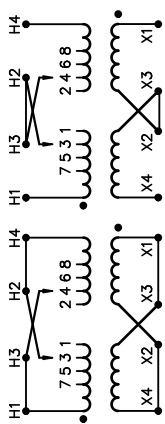
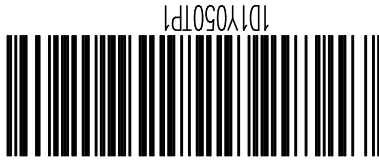


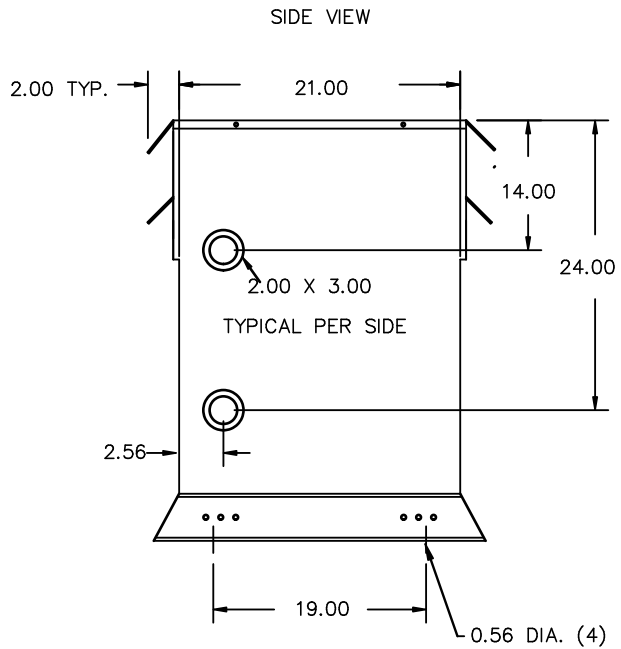
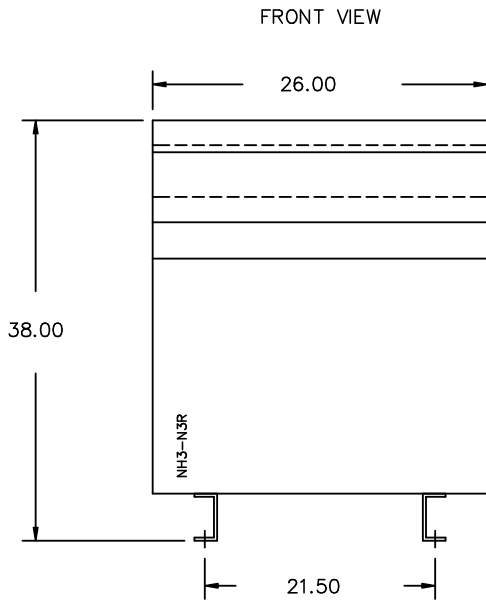
REVISION	DATE	BY	DATE	BY
		DRAWN	05/10/27	CY
		CHEK'D		
		VERIF'D		

Confidential - Property of Siemens Industry, Inc. Building Technologies Division		
CUSTOMER		
ORDER NO.	DWG. NO.	
	1D1Y050TP1	SH 1 OF 2

SIEMENS

CATALOG NO. 1D1Y050TP1 SERIAL NO. 50 kVA 60 Hz 1 PHASE 6.2 % IMP AT 170 °C 150 °C RISE °C AVG. AMBIENT 220 °C TEMP CLASS °C MAX. AMBIENT PRIMARY (H1 H3 H2 H4) 240X480V V SECONDARY(X4 X2 X3 X1) 120/240V V WINDING MATERIAL AL ENCLOSURE TYPE NEMA-3R WEIGHT 375 LBS ENERGY EFFICIENCY NEMA TP 1-2002	<div style="display: flex; justify-content: space-between;"> <div style="width: 45%;"> <p>LISTED DISTRIBUTION TRANSFORMER 77US TYPE F</p>  LR 3902 E112313 </div> <div style="width: 45%; text-align: right;">  </div> </div> <div style="margin-top: 10px;"> <p>SUITABLE FOR INDOOR OR OUTDOOR LOCATIONS DO NOT INSTALL IN AREAS ACCESSIBLE TO PUBLIC FOR INSTALLATION SEE INSTRUCTION MANUAL</p> <p>NEMA Class ANN Dry Type Transformer Siemens Industry, Inc. Norcross, GA</p> </div>
	





All Dimensions in inches

ENCLOSURE COLOR :ANSI 61 GREY – OUTDOOR

H.V.1. TERMINAL DETAIL

L.V.1. TERMINAL DETAIL

MECHANICAL TYPE LUGS INCLUDED
SUITABLE FOR 250MCM-6 CU/AL
CONDUCTORS
1 CONDUCTOR PER PHASE

MECHANICAL TYPE LUGS INCLUDED
SUITABLE FOR 600MCM-2 CU/AL
CONDUCTORS
1 CONDUCTOR PER PHASE

CUSTOMER NOTES:

- HV1 TERMINATED AT TOP FRONT
- LV1 TERMINATED AT BOTTOM FRONT

Confidential – Property of
Siemens Industry, Inc.
Building Technologies Division

REVISION	DATE	BY	DATE	BY
		DRAWN	05/10/27	CY
		CHEK'D		
		VERIF'D		

CUSTOMER	
ORDER NO.	DWG. NO. 1D1Y050TP1
SH 2 OF 2	

0.3 jwen 2010/01/21 13:28