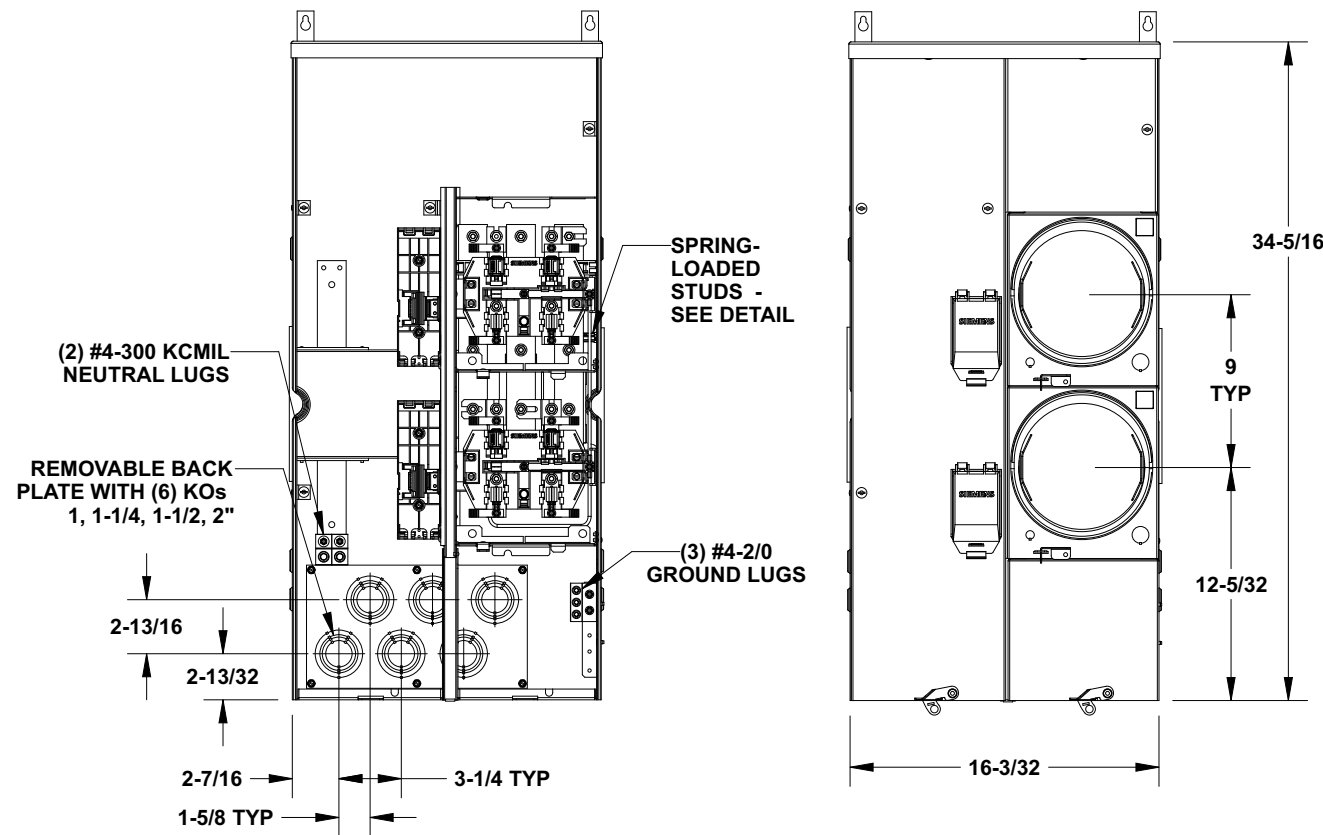


**VIEW SHOWN  
WITHOUT COVER**

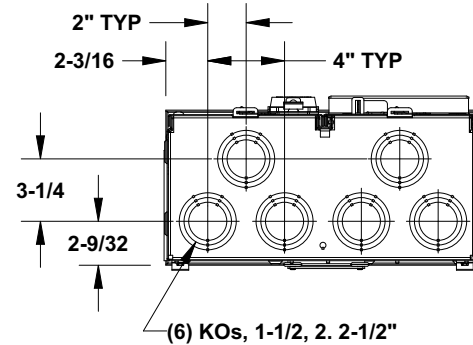
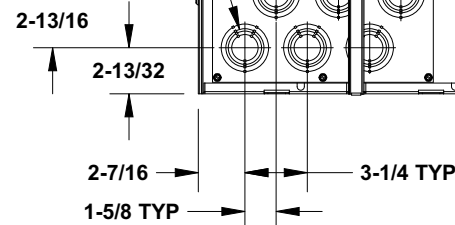


(2) #4-300 KCMIL NEUTRAL LUGS

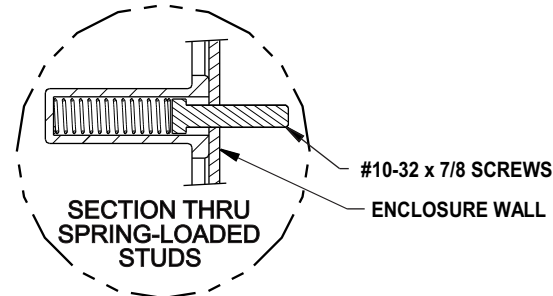
SPRING-LOADED STUDS - SEE DETAIL

(3) #4-2/0 GROUND LUGS

REMOVABLE BACK PLATE WITH (6) KOs  
1, 1-1/4, 1-1/2, 2"



(6) KOs, 1-1/2, 2, 2-1/2"



SECTION THRU SPRING-LOADED STUDS

#10-32 x 7/8 SCREWS  
ENCLOSURE WALL

**WMM2225RJB  
SHOWN**

**Catalog Numbers, Features and Ratings**

- MAIN BUS RATING: 1200 AMPS, 240V AC MAX.
- METER SOCKET RATING: 200 AMPS CONTINUOUS
- 100,000 AIC RATING MAX.
- BRANCH RATING: 225A MAX.
- 3 PHASE INPUT / 1 PHASE OUTPUT
- TYPE 3R OUTDOOR ENCLOSURE
- MOUNTING RAILS AND ADJUSTABLE BRACKETS FOR SECURE MOUNTING

Catalog No.	Main Bus	Meter Positions	Cover Type	5th Jaw	Horn Bypass
WMM22225J	3 Phase	2	Ring	Installed	
WMM22225RJ	3 Phase	2	Ringless	Installed	
WMM22225RJB	3 Phase	2	Ringless	Installed	Installed

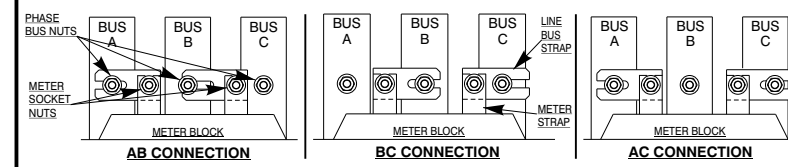
**Additional Modules**

FOR USE WITH: Module Description	Siemens Series#	Murray Series#
Main Breakers	(W)MC, WB, WEB	DB W
Switches	WMP, WMS, WS, WES	DPT W, DT W
Tap/Terminal Boxes	WMTB, WTB, WET	DTB W
Pull Boxes	WMMB, WPB, WAPB	DPB W
Meter Module	WMM, WxMM, WMT, WML, WMK	DG W, DC W, DL W
Extension Box	WMEX, WSP	DS
Bussed Elbow	(W)BE	DL

Connect Modules Using:	Catalog Number / Torque
QuickConnect	QC4, Torque 400-440 lb-in (35-36 ft.-lb.)
Single Bolt Joint	SBJ4, Torque 400-480 lb-in (35-40 ft.-lb.)

**Rephasing Instructions**

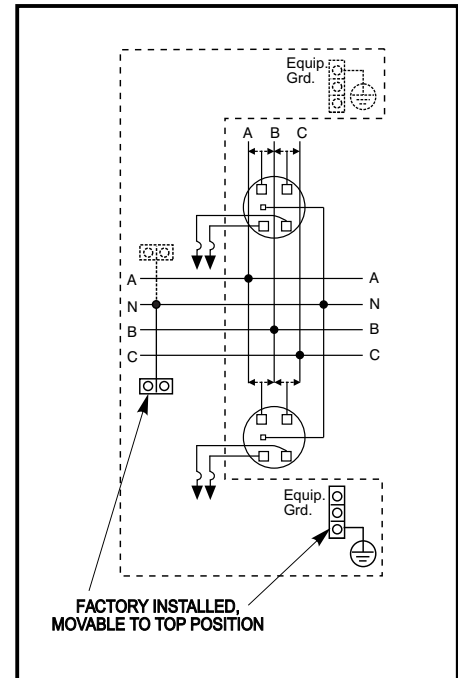
Factory installed phasing is AB and BC top to bottom. Each meter socket can be rephased AB, BC, or AC by repositioning line bus straps. If a different phase arrangement is needed, loosen hex nuts and reconnect one or both line bus straps, then retighten the hex nuts to 60-65 lb.-in. Tighten hex nut at meter socket first, then tighten hex nut on vertical phase bus.



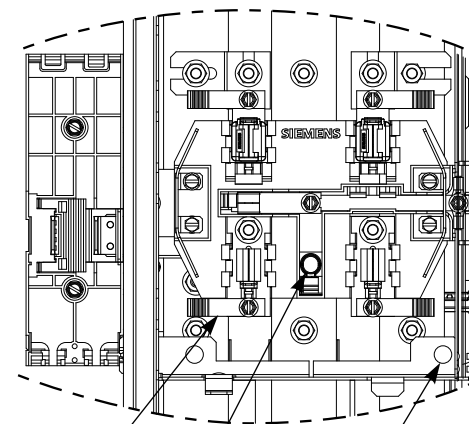
**Accessories**

Description	Catalog No.
Horn By-Pass Mod	ECMFH
End Closure Plate	WMEP
5th Jaw Mod	ECMF5
Meter Cover Plate	ECCP3
Meter Socket	ECMFS
225A Breaker Mounting	ECMFBM2
Meter Cover, Ring Type	ECMFMC
Meter Cover, Ringless	ECMFMCR
Parts Kit	ECMFPK
Load Cover Screws	ECMFCS
Bottom Pull Cover	ECMFC
Mounting Rail	MMRAIL
Mounting Clip	MMCLIP
Quick Phase Strap	ECMFPS
Breaker Cover Repl.	ECBC
Mounting Tabs (2)	ECMFTAB
Ground Bar Kit	ECMFGN125
Neutral Bar Kit 225A	ECMFN225
Ringless Conversion Kit	ECMMLRCK
Back Rail/Clip	ECMFWLCLIP
Wall Mounting Rail (60")	MMZR60
QP Breaker Retainer	ECMBR2
KO Plate with Knockouts	ECMMKOP
KO Plate w/o Knockouts	ECMMNKOP

**Schematic**



**ENLARGED SOCKET DETAIL**



HORN BYPASS  
5th JAW CAN BE RELOCATED TO 6 O'CLOCK POSITION

BARREL LOCK PROVISION

© 2010 Copyright Siemens Industry, Inc.

Siemens Industry, Inc.  
Building Technologies Division

**PowerMod™ Meter Stack**

Catalog Numbers:  
**WMM22225J, WMM22225RJ, WMM22225RJB**

Size B Dwg. No. **225A\_3Ph\_2Pos**