



Hammond Power Solutions Inc.

TITLE: 3PH DISTRIBUTION TRANSFORMER
NAMEPLATE INFORMATION

NO.	DATE	BY	REVISION	DES: MABELLAT
				DATE: 16/04/12
				SCALE: NTS

SHEET 1 OF 2

EDB 3F3Y075BCLN3SSN4X

0.0 mabelaty 2016/04/12 15:58

SIEMENS

CATALOG NO. 3F3Y075BCLN3SSN4X

SERIAL NO.

SERIES H

75 kVA 60 Hz 3 PHASE

3.3 % IMP AT 100 °C

80 °C RISE 30 °C AVG. AMBIENT

220 °C TEMP CLASS 40 °C MAX. AMBIENT

PRIMARY (H1 H2 H3) 480 V

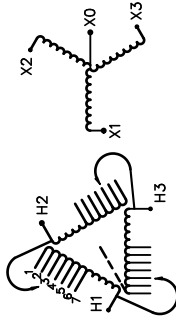
SECONDARY(X0 X1 X2 X3) 208Y/120 V

WINDING MATERIAL CU

ENCLOSURE TYPE 4X

WEIGHT 1100 LBS

SPACINGS BETWEEN ANY ENCLOSURE PANEL AND ADJACENT WALL SHALL BE A MINIMUM OF 3 INCHES. ALL WIRING SHALL BE MOUNTED AT LEAST 18 INCHES ABOVE THE SOUND LEVEL IS 3 DB LOWER THAN NEMA S120 REQUIREMENTS



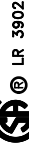
VOLTS CONNECT

504	1
492	2
480	3
468	4
456	5
444	6
432	7

TYPE KN



UL LISTED
DRY TYPE TRANSFORMER
77US E112313

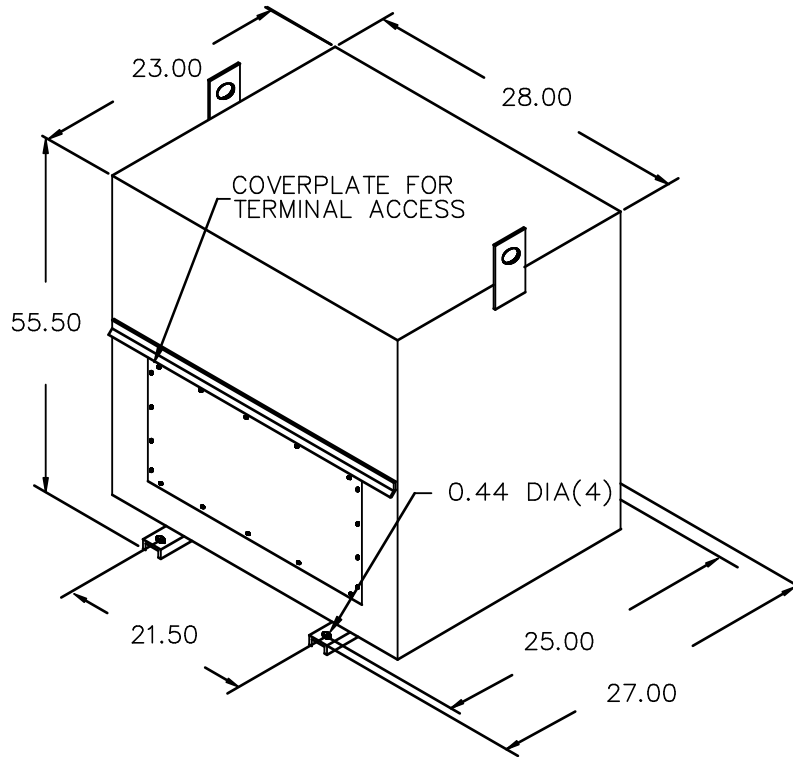


® LR 3902



3F3Y075BCLN3SSN4X

SUITABLE FOR INDOOR OR OUTDOOR LOCATIONS BEFORE HANDLING, INSTALLING AND OPERATING, SEE INSTRUCTION MANUAL
NEMA ClassANC Dry Type Transformer Siemens Industry, Inc. Norcross, GA



All Dimensions in inches

ENCLOSURE COLOR :304 STAINLESS STEEL #4 FINISH

H.V.1. TERMINAL DETAIL

L.V.1. TERMINAL DETAIL

MECHANICAL TYPE LUGS INCLUDED
SUITABLE FOR #2/0-14 CU/AL
CONDUCTORS
1 CONDUCTOR PER PHASE

MECHANICAL TYPE LUGS INCLUDED
SUITABLE FOR 350MCM-6 CU/AL
CONDUCTORS
2 CONDUCTORS PER PHASE

CUSTOMER NOTES:

- HV1 TERMINATED AT TOP FRONT
- LV1 TERMINATED AT BOTTOM FRONT
- C/W STAINLESS STEEL NAMEPLATES



TITLE: 3PH DISTRIBUTION TRANSFORMER

				DES: MABDELAT
				DATE: 16/04/12
NO.	DATE	BY	REVISION	SCALE: NTS

SHEET 2 OF 2

EDB 31075BCLN35SM4X