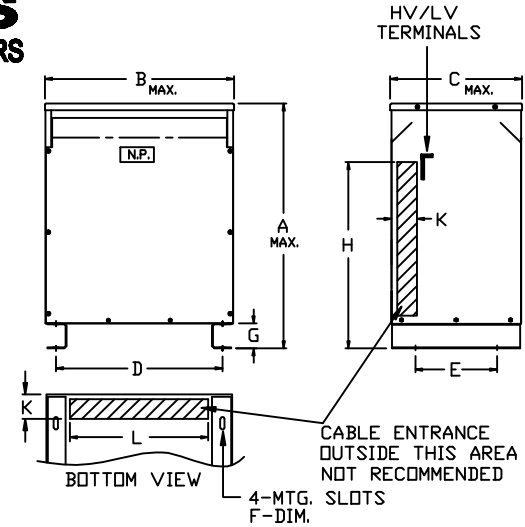


SIEMENS DRY TYPE TRANSFORMERS

NOTES:

1. ALL UNITS ARE UL LISTED AND ARE DESIGNED IN ACCORDANCE WITH ANSI C89.2 AND NEMA ST-20 STANDARDS.
2. THESE TRANSFORMERS UTILIZE A UL RECOGNIZED 220°C INSULATION SYSTEM, TEMPERATURE RISE AS INDICATED IN THE TABLE.
3. TRANSFORMERS ARE DRY TYPE, CLASS AA, VENTILATED ENCLOSURE FOR INDOOR USE. OPTIONAL WEATHER KITS ARE AVAILABLE FOR ADAPTING THE UNIT FOR 3R USE WITHOUT VOIDING THE UL LABEL.
4. FOR LIFTING OTHER THAN WITH FORK TRUCK, REMOVE TOP COVER AND USE CORE CLAMPS FOR 112.5KVA & UP.
5. PAINT COLOR IS ANSI #61 GRAY.
6. FULL WIDTH COPPER ELECTROSTATIC SHIELD (OPTIONAL).
7. 6" REQUIRED CLEARANCE FROM THE WALLS.
8. HV/LV TERMINALS ARE TOP FRONT TERMINATED.



DIMENSIONS IN (E)=INCHES & (M)=CENTIMETERS

KVA	TEMP. RISE °C	NET WT. LBS.	A		B		C		D		E		F		G		H		K		L	
			E	M	E	M	E	M	E	M	E	M	E	M	E	M	E	M	E	M	E	M
			14	150	225	22.0	55.8	19.0	48.2	16.0	40.6	16.8	42.6	12.0	30.4	.56x1.13	1.42x2.87	3.0	7.6	12.0	30.4	3.0
20	150	255	22.0	55.8	19.0	48.2	16.0	40.6	16.8	42.6	12.0	30.4	.56x1.13	1.42x2.87	3.0	7.6	12.0	30.4	3.0	7.6	13.0	33.0
27	150	295	25.0	63.5	22.0	55.8	17.0	43.1	17.4	44.1	13.0	33.0	.56x1.13	1.42x2.87	3.0	7.6	13.0	33.0	3.0	7.6	15.0	38.1
34	150	295	25.0	63.5	22.0	55.8	17.0	43.1	17.4	44.1	13.0	33.0	.56x1.13	1.42x2.87	3.0	7.6	13.0	33.0	3.0	7.6	15.0	38.1
40	150	350	28.0	71.1	25.0	63.5	19.0	48.2	20.8	52.8	14.5	36.8	.56x1.13	1.42x2.87	3.0	7.6	16.0	40.6	3.0	7.6	17.0	43.1
51	150	350	28.0	71.1	25.0	63.5	19.0	48.2	20.8	52.8	14.5	36.8	.56x1.13	1.42x2.87	3.0	7.6	16.0	40.6	3.0	7.6	17.0	43.1
63	150	535	32.0	81.2	27.0	68.5	21.0	53.3	23.5	59.6	16.0	40.6	.56x1.13	1.42x2.87	3.0	7.6	18.0	45.7	3.0	7.6	20.0	50.8
75	150	535	32.0	81.2	27.0	68.5	21.0	53.3	23.5	59.6	16.0	40.6	.56x1.13	1.42x2.87	3.0	7.6	18.0	45.7	3.0	7.6	20.0	50.8
93	150	675	38.0	96.5	29.0	73.6	23.0	58.4	25.5	64.7	18.0	45.7	.56x1.13	1.42x2.87	3.0	7.6	20.0	50.8	3.0	7.6	22.0	55.8
118	150	835	38.0	96.5	29.0	73.6	23.0	58.4	25.5	64.7	18.0	45.7	.56x1.13	1.42x2.87	3.0	7.6	20.0	50.8	3.0	7.6	22.0	55.8
145	150	980	42.0	106.8	33.0	83.8	26.0	66.0	29.5	74.9	21.0	53.3	.56x1.13	1.42x2.87	3.0	7.6	23.0	58.4	4.0	10.1	25.5	64.7
175	150	1200	46.0	116.8	35.0	88.9	30.0	76.2	31.5	80.0	25.0	64.7	.56x1.13	1.42x2.87	3.0	7.6	32.0	81.2	5.0	12.7	27.5	69.8
220	150	1380	46.0	116.8	35.0	88.9	30.0	76.2	31.5	80.0	25.0	64.7	.56x1.13	1.42x2.87	3.0	7.6	32.0	81.2	5.0	12.7	27.5	69.8
275	150	1590	46.0	116.8	35.0	88.9	30.0	76.2	31.5	80.0	25.0	64.7	.56x1.13	1.42x2.87	3.0	7.6	32.0	81.2	5.0	12.7	27.5	69.8
330	150	1680	60.0	152.4	48.0	121.9	33.0	83.8	42.0	106.6	27.0	68.5	.56x1.13	1.42x2.87	4.0	10.1	36.0	91.4	5.0	12.7	34.0	86.3
440	150	2030	60.0	152.4	48.0	121.9	33.0	83.8	42.0	106.6	27.0	68.5	.56x1.13	1.42x2.87	4.0	10.1	36.0	91.4	5.0	12.7	34.0	86.3
550	150	2530	60.0	152.4	48.0	121.9	33.0	83.8	42.0	106.6	27.0	68.5	.56x1.13	1.42x2.87	4.0	10.1	36.0	91.4	5.0	12.7	34.0	86.3

KVA	QTY.	CATALOG NO.	VOLTAGE		TAPS	DRAWING
			PRIMARY	SECONDARY		
						<input type="checkbox"/> APPROVAL
						<input type="checkbox"/> RECORD
						<input type="checkbox"/> OTHER

CUST.	DWN. BY:	Siemens Industry, Inc.
	DATE:	
JOB	CHK. BY:	DRIVE ISOLATION TRANSFORMERS THREE-PHASE, 600 VOLTS CLASS, 60 HZ. K-FACTOR (1) RATED - ALUMINUM
P.O.	DATE:	
TIE	APVD. BY:	
S.O.	DATE:	DWG. NO. J-147
		REV. A DATE 1/6/11