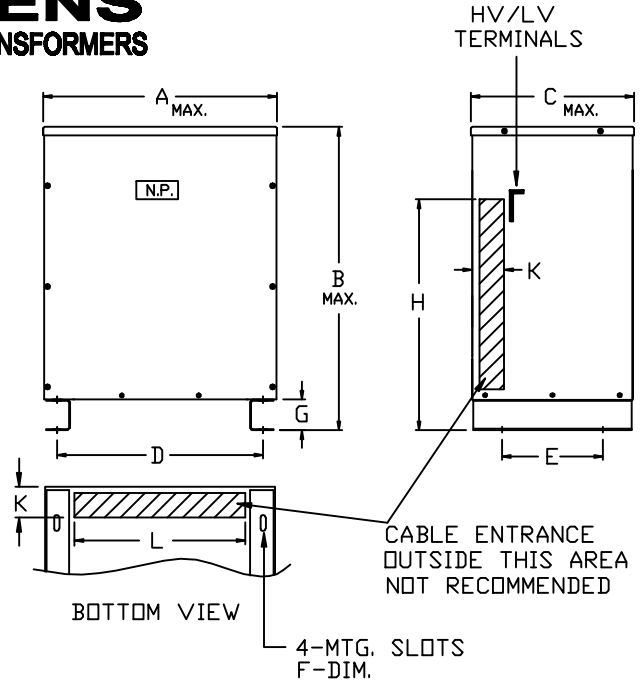


SIEMENS

DRY TYPE TRANSFORMERS

NOTES:

- 1) ALL UNITS ARE UL LISTED AND ARE DESIGNED IN ACCORDANCE WITH ANSI C89.2 AND NEMA ST-20 STANDARDS.
- 2) THESE TRANSFORMERS UTILIZE A UL RECOGNIZED 220°C INSULATION SYSTEM, TEMPERATURE RISE AS INDICATED IN THE TABLE.
- 3) TRANSFORMERS ARE DRY TYPE, CLASS AA, ENCLOSURE FOR INDOOR OR OUTDOOR USE
- 4) FOR LIFTING OTHER THAN WITH FORK TRUCK, REMOVE TOP COVER AND USE CORE CLAMPS FOR 45KVA & UP.
- 5) PAINT COLOR IS ANSI #61 GRAY.
- 6) FULL WIDTH COPPER ELECTROSTATIC SHIELD (OPTIONAL).
- 7) 6" REQUIRED CLEARANCE FROM THE WALLS.
8. HV/LV TERMINALS ARE TOP FRONT TERMINATED.



DIMENSIONS IN (E)=INCHES & (M)=CENTIMETERS

KVA	TEMP. RISE °C	NET WT. LBS.	A		B		C		D		E		F		G		H		K		L	
			E	M	E	M	E	M	E	M	E	M	E	M	E	M	E	M	E	M	E	M
			15	150	310	22.0	55.9	25.0	63.5	17.0	43.2	17.4	44.1	13.0	33.0	.56x1.13	1.42x2.87	3.0	7.6	13.0	33.0	3.0
25	150	585	27.0	68.6	32.0	81.3	21.0	53.3	23.5	59.7	16.0	40.6	.56x1.13	1.42x2.87	3.0	7.6	18.0	45.7	3.0	7.6	20.0	50.8
37.5	150	775	29.0	73.7	38.0	96.5	23.0	58.4	25.5	64.8	18.0	45.7	.56x1.13	1.42x2.87	3.0	7.6	20.0	45.8	3.0	7.6	22.0	55.9
50	150	1000	33.0	83.8	42.0	107	26.0	66.0	29.5	74.9	21.0	53.3	.56x1.13	1.42x2.87	3.0	7.6	23.0	58.4	4.0	10.2	25.5	64.8
75	150	1000	33.0	83.8	42.0	107	26.0	66.0	29.5	74.9	21.0	53.3	.56x1.13	1.42x2.87	3.0	7.6	23.0	58.4	4.0	10.2	25.5	64.8
100	150	1315	35.0	88.9	46.0	117	30.0	76.2	31.5	80.0	25.0	63.5	.56x1.13	1.42x2.87	3.0	7.6	32.0	81.3	5.0	12.7	27.5	69.9

KVA	QTY.	CATALOG NO.	VOLTAGE		TAPS	DRAWING
			PRIMARY	SECONDARY		
						<input type="checkbox"/> APPROVAL
						<input type="checkbox"/> RECORD
						<input type="checkbox"/> OTHER

CUST.	DWN. BY:	Siemens Industry, Inc.
	DATE:	
JOB	CHK. BY:	GENERAL PURPOSE TRANSFORMERS SINGLE-PHASE, 600 VOLTS CLASS, 60 HZ. K-FACTOR (1) RATED - ALUMINUM
P.O.	DATE:	
TIE	APVD. BY:	
S.O.	DATE:	DWG. NO. J-135
		REV. A DATE 12/01/10