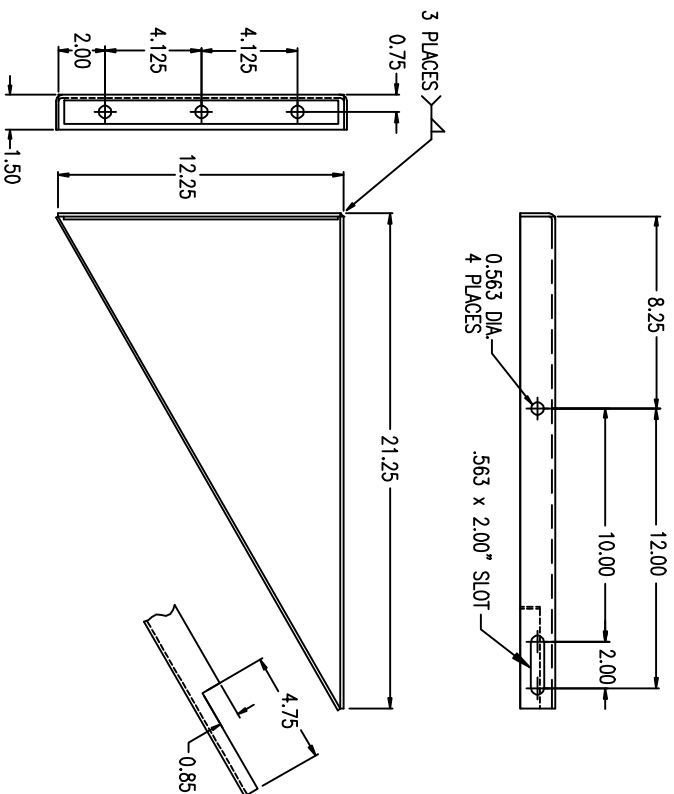
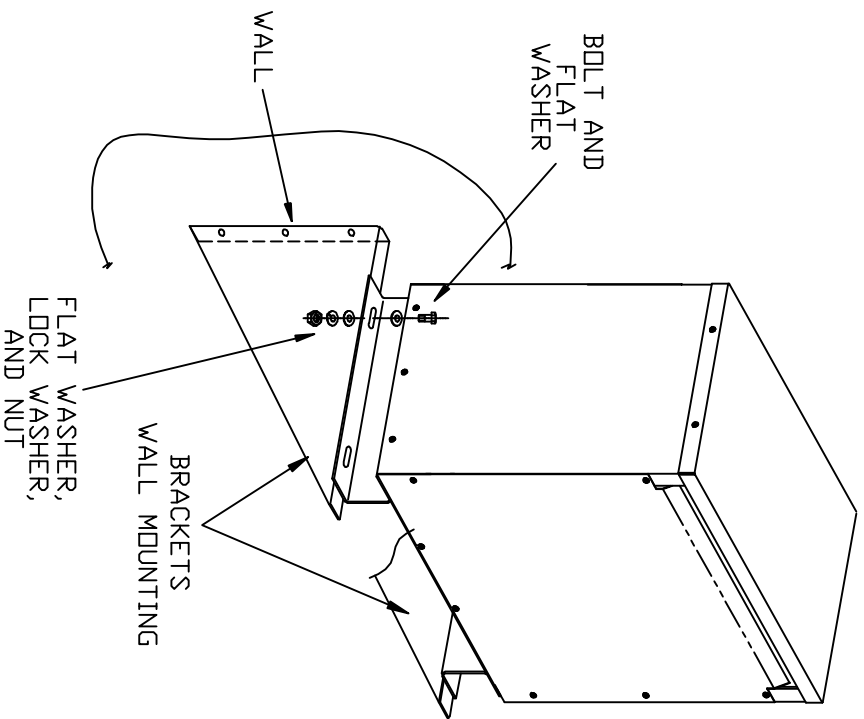


SIEMENS

DRY TYPE TRANSFORMERS

MOUNTING INSTRUCTIONS

1. PROPERLY SECURE BRACKET TO WALL.
2. USE 1/2-13 HARDWARE AS SHOWN IN EXPLODED VIEW TO SECURE TRANSFORMER TO BRACKETS, TORQUE TO 50 FT.LBS. (DRY), HARDWARE SUPPLIED WITH KIT.



MATERIAL
10 GA. (.1345" THK.)
STEEL ASTM A-366

WALL MOUNTING BRACKET
FOR RIGHT & LEFT HAND SIDE

| | |
|-----------------------------|----------|
| DWN. BY: | |
| DATE: | |
| CHK. BY: | |
| DATE: | |
| APVD. BY: | |
| DATE: | |
| Siemens Industry, Inc. | |
| INSTRUCTION SHEET | |
| WALL MOUNTED TRANSFORMER | |
| FOR 15KVA, 150°C RISE UNITS | |
| DWG. NO. | J-108 |
| REV. | C |
| DATE | 06/22/10 |