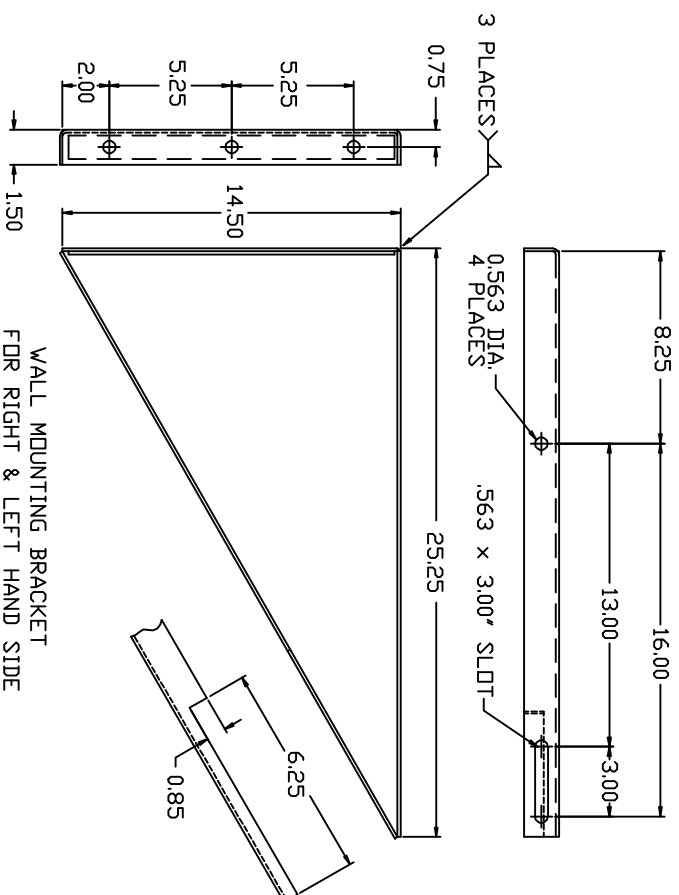
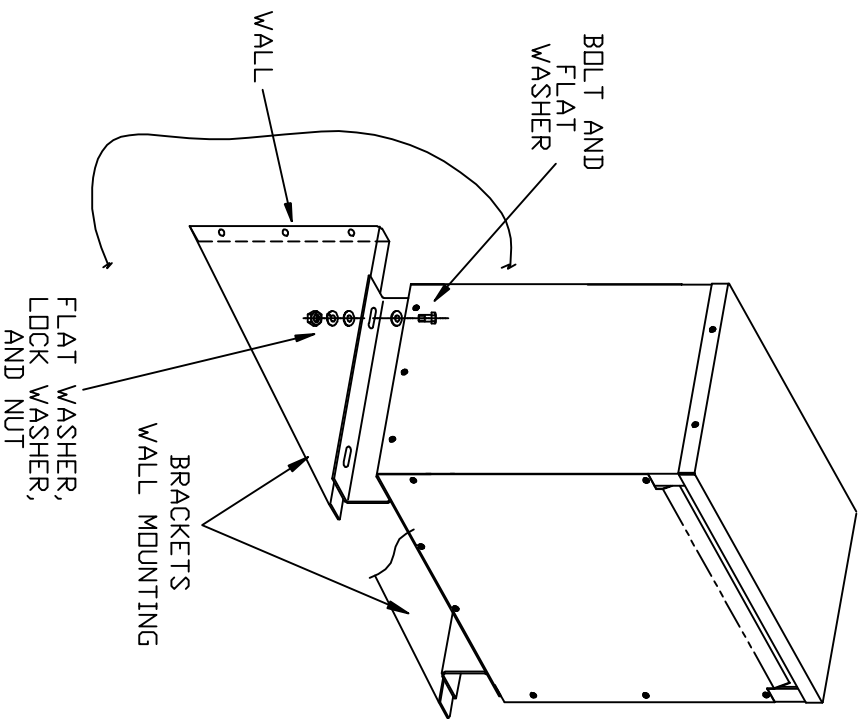


SIEMENS

DRY TYPE TRANSFORMERS

MOUNTING INSTRUCTIONS

1. PROPERLY SECURE BRACKET TO WALL.
2. USE 1/2-13 HARDWARE AS SHOWN IN EXPLODED VIEW TO SECURE TRANSFORMER TO BRACKETS, TORQUE TO 50 FT.LBS. (DRY), HARDWARE SUPPLIED WITH KIT.



MATERIAL
10 GA. (.1345" THK.)
STEEL ASTM A-366

DWN. BY:	
DATE:	
CHK. BY:	
DATE:	
APVD. BY:	
DATE:	
Siemens Industry, Inc.	
INSTRUCTION SHEET	
WALL MOUNTED TRANSFORMER	
FOR 30-75KVA, 150°C RISE UNITS	
DWG. NO.	J-106
REV.	D
DATE	06/22/10