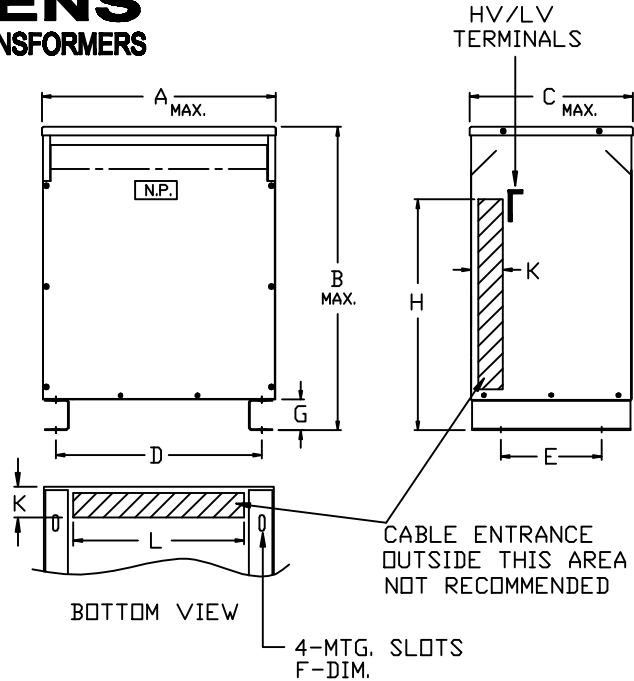


SIEMENS

DRY TYPE TRANSFORMERS

NOTES:

1. ALL UNITS ARE UL LISTED AND ARE DESIGNED IN ACCORDANCE WITH ANSI C89.2 AND NEMA ST-20 STANDARDS.
2. THESE TRANSFORMERS UTILIZE A UL RECOGNIZED 220°C INSULATION SYSTEM, TEMPERATURE RISE AS INDICATED IN THE TABLE.
3. TRANSFORMERS ARE DRY TYPE, CLASS AA, VENTILATED ENCLOSURE FOR INDOOR USE. OPTIONAL WEATHER KITS ARE AVAILABLE FOR ADAPTING THE UNIT FOR 3R USE WITHOUT VOIDING THE UL LABEL.
4. FOR LIFTING OTHER THAN WITH FORK TRUCK, REMOVE TOP COVER AND USE CORE CLAMPS FOR 100KVA & UP.
5. PAINT COLOR IS ANSI #61 GRAY.
6. FULL WIDTH COPPER ELECTROSTATIC SHIELD (OPTIONAL).
7. 6" REQUIRED CLEARANCE FROM THE WALLS.
8. HV/LV TERMINALS ARE TOP FRONT TERMINATED.



KVA	TEMP. RISE °C	NET WT. LBS.	DIMENSIONS IN INCHES									
			A	B	C	D	E	F	G	H	K	L
15	115	225	15.00	27.00	15.00	12.50	11.00	.56 x 1.13	3.00	19.00	3.00	10.00
25	115	325	17.00	29.00	17.00	14.00	13.00	.56 x 1.13	3.00	20.00	3.00	11.00
37.5	115	475	20.00	31.00	18.00	16.88	14.00	.56 x 1.13	3.00	20.00	3.00	14.00
50	115	550	22.00	32.00	20.00	19.00	16.00	.56 x 1.13	3.00	22.00	3.00	16.00
75	115	700	22.00	34.00	22.00	19.00	16.00	.56 x 1.13	3.00	26.00	3.00	16.00
100	115	850	22.00	36.00	24.00	19.00	18.00	.56 x 1.13	3.00	28.00	3.00	16.00
167	115	1125	35.00	46.00	30.00	31.50	25.00	.56 x 1.13	3.00	32.00	5.00	27.50
200	115	1375	35.00	52.00	30.00	31.50	25.00	.56 x 1.13	3.00	32.00	5.00	27.50
225	115	1510	35.00	52.00	30.00	31.50	25.00	.56 x 1.13	3.00	32.00	5.00	27.50
250	115	1620	35.00	52.00	30.00	31.50	25.00	.56 x 1.13	3.00	32.00	5.00	27.50
333	115	2500	48.00	60.00	33.00	42.00	27.00	.56 x 1.13	4.00	36.00	5.00	34.00

KVA	QTY.	CATALOG NO.	VOLTAGE		TAPS	DRAWING
			PRIMARY	SECONDARY		
						<input type="checkbox"/> APPROVAL
						<input type="checkbox"/> RECORD
						<input type="checkbox"/> OTHER

CUST.	DWN. BY:	Siemens Industry, Inc.
	DATE:	
JOB	CHK. BY:	GENERAL PURPOSE TRANSFORMERS SINGLE-PHASE, 600 VOLTS CLASS, 60 HZ. K-FACTOR (1) RATED - ALUMINUM - TP1
P.O.	DATE:	
TIE	APVD. BY:	
S.O.	DATE:	DWG. NO. J-105
		REV. D DATE 06/22/11