

SIEMENS

CATALOG NO. 3F5Y150TP1

SERIAL NO.

SERIES H

150 kVA 60 Hz 3 PHASE

6.5 % IMP AT 170 °C

150 °C RISE 30 °C AVG. AMBIENT

220 °C TEMP CLASS 40 °C MAX. AMBIENT

PRIMARY (H1 H2 H3) 480 V

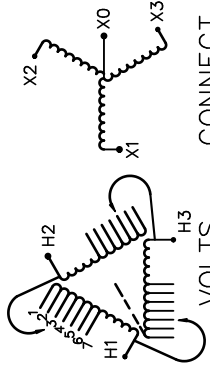
SECONDARY(X0 X1 X2 X3) 480Y/277 V

WINDING MATERIAL AL

ENCLOSURE TYPE 3R WEIGHT 855 LBS

ENERGY EFFICIENCY CSA CSA C802.2-12 NEMA TP 1-2002

SPACINGS BETWEEN ANY VENTILATED ENCLOSURE PANEL AND ANY ADJACENT WALL SHALL BE A MINIMUM OF 5 INCHES



VOLTS

- 504
- 492
- 480
- 468
- 456
- 444
- 432

CONNECT

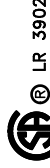
- 1
- 2
- 3
- 4
- 5
- 6
- 7

DO NOT INSTALL IN AREAS ACCESSIBLE TO PUBLIC
 NE PAS INSTALLER DANS DES ENDROITS ACCESSIBLES AU PUBLIC
 SUITABLE FOR INDOOR OR OUTDOOR LOCATIONS
 BEFORE HANDLING, INSTALLING AND OPERATING, SEE INSTRUCTION MANUAL

NEMA Class ANN Dry Type Transformer

Siemens Industry, Inc. Norcross, GA ds00052s

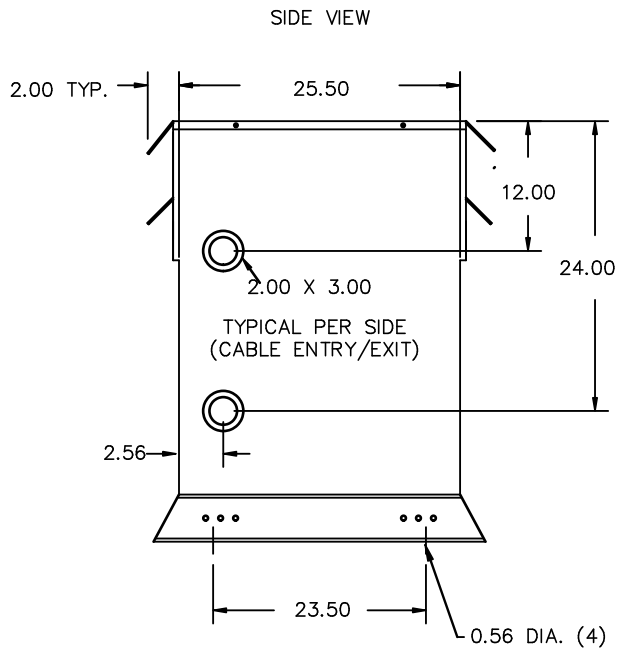
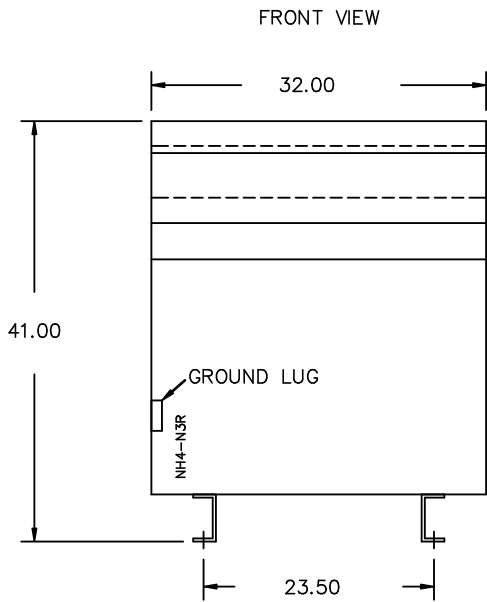
TYPE K



Confidential - Property of
Siemens Industry, Inc.
 Building Technologies Division

REVISION	DATE	BY	DATE	BY
		DRAWN	09/08/10	JW
		CHEK'D		
1	15/10/15	RM	VERIF'D	

CUSTOMER		
ORDER NO.	DWG. NO.	1
	3F5Y150TP1	SH 1 OF 2



All Dimensions in inches

ENCLOSURE COLOR :ANSI 61 GREY – OUTDOOR

H.V.1. TERMINAL DETAIL

L.V.1. TERMINAL DETAIL

MECHANICAL TYPE LUGS INCLUDED
SUITABLE FOR 350MCM-6 CU/AL
CONDUCTORS
1 CONDUCTOR PER PHASE

MECHANICAL TYPE LUGS INCLUDED
SUITABLE FOR 350MCM-6 CU/AL
CONDUCTORS
1 CONDUCTOR PER PHASE

CUSTOMER NOTES:

- HV1 TERMINATED AT TOP FRONT
- LV1 TERMINATED AT BOTTOM FRONT

Confidential – Property of
Siemens Industry, Inc.
Building Technologies Division

REVISION	DATE	BY	DATE	BY	CUSTOMER
			DRAWN 09/08/10	JW	
			CHEK'D		
1	15/10/15	RM	VERIF'D		ORDER NO. DWG. NO. 1
					3F5Y150TP1 SH 2 OF 2

1.0 rmovva 2015/10/15 15:59