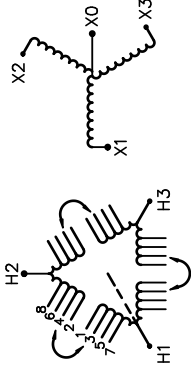




REVISION	DATE	BY	DATE	BY
			16/04/06	PP

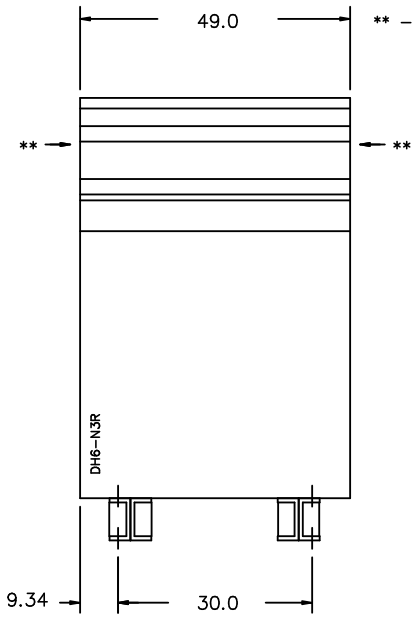
Confidential - Property of Siemens Industry, Inc.	
CUSTOMER	
ORDER NO.	DWG. NO.
	3F3Y500CD16VG
	SH 1 OF 2

SIEMENS

<p>CATALOG NO. 3F3Y500CD16VG SERIAL NO. SERIES H 500 kVA 60 Hz 3 PHASE 4.6 % IMP AT 170 °C</p> <p>150 °C RISE 30 °C AVG. AMBIENT 220 °C TEMP CLASS 40 °C MAX. AMBIENT</p> <p>PRIMARY (H1 H2 H3) 480V V 10 kV BIL SECONDARY(X0 X1 X2 X3) 208Y/120V V 10 kV BIL</p> <p>WINDING MATERIAL CU</p> <p>ENCLOSURE TYPE 3R WEIGHT 3200LBS</p> <p>ENERGY EFFICIENCY EXCEEDS CSA C802.2-2012 DOE 10 CFR PART 431:2016</p> <p>SPACINGS BETWEEN ANY VENTILATED ENCLOSURE PANEL AND ANY ADJACENT WALL SHALL BE A MINIMUM OF 12 INCHES</p>	 <p>VOLTS 504 492 480 468 456 444 432</p> <p>CONNECT 1-2 2-3 3-4 4-5 5-6 6-7 7-8</p>	<p style="text-align: center;">TYPE K</p> <div style="display: flex; justify-content: space-around;"> <div style="text-align: center;">  LISTED <small>DRY TYPE TRANSFORMER 77UL5 E112313</small> </div> <div style="text-align: center;">  <small>LR 3902</small> </div> </div> <p>SEISMIC QUALIFICATIONS, FLOOR MOUNT ONLY OSP-0136-10 IBC 2012/ASCE 7-10 SDS<=2.0g z/h=1 Ip=1.5</p>
<p>SUITABLE FOR INDOOR OR OUTDOOR LOCATIONS BEFORE HANDLING, INSTALLING AND OPERATING, SEE INSTRUCTION MANUAL</p> <p>NEMA Class ANN Dry Type Transformer</p>		<p style="text-align: right;">Siemens Industry, Inc. Norcross, GA <small>dsu0086e</small></p>

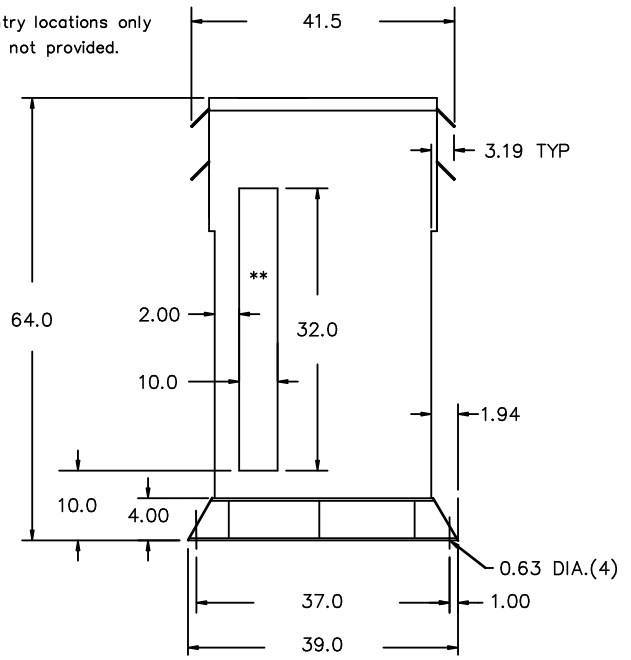


FRONT VIEW



** - Recommended cable entry locations only
cutouts & gland plates not provided.

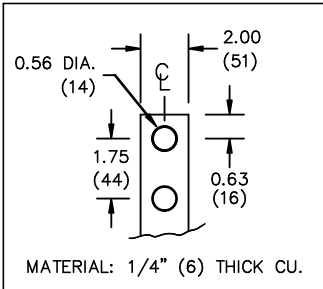
SIDE VIEW



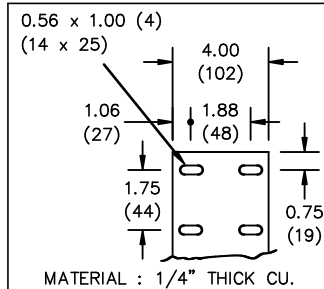
All Dimensions in inches

ENCLOSURE COLOR : ANSI 61 GREY - OUTDOOR

H.V.1. TERMINAL DETAIL



L.V.1. TERMINAL DETAIL



CUSTOMER NOTES:

- HV1 TERMINATED AT TOP FRONT
- LV1 TERMINATED AT BOTTOM FRONT
- ENCLOSURE COMPLETE WITH RODENT SCREENS

Confidential - Property of
Siemens Industry, Inc.

REVISION	DATE	BY	DATE	BY
		DRAWN	16/04/06	PP
		CHEK'D		
		VERIF'D		

CUSTOMER	
ORDER NO.	DWG. NO. 3F3Y500CD16VG
SH 2 OF 2	