

# SIEMENS

CATALOG NO. 3F3Y112SSN4X

SERIAL NO. SERIES H

112.5 kVA 60 Hz 3 PHASE

3.7 % IMP AT 170 °C

150 °C RISE 30 °C AVG. AMBIENT

220 °C TEMP CLASS 40 °C MAX. AMBIENT

PRIMARY ( H1 H2 H3 ) 480 V

SECONDARY(X0 X1 X2 X3 ) 208Y/120 V

WINDING MATERIAL AL

ENCLOSURE TYPE 4X

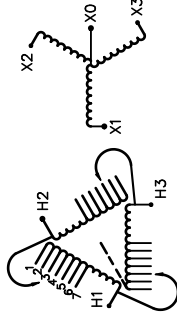
WEIGHT 970 LBS

SPACINGS BETWEEN ANY ENCLOSURE PANEL AND ANY ADJACENT WALL SHALL BE A MINIMUM OF 5 INCHES EXCEPT WHEN WALL MOUNTED USING HPS WALL MOUNTING KIT ELECTROSTATIC SHIELD

DO NOT INSTALL IN AREAS ACCESSIBLE TO PUBLIC

SUITABLE FOR INDOOR OR OUTDOOR LOCATIONS BEFORE HANDLING, INSTALLING AND OPERATING, SEE INSTRUCTION MANUAL

NEMA ClassANC Dry Type Transformer Siemens Industry,Inc. Norcross, GA



VOLTS	CONNECT
504	1
492	2
480	3
468	4
456	5
444	6
432	7

TYPE KN



3F3Y112SSN4X

Confidential – Property of  
Siemens Industry, Inc.  
Building Technologies Division

REVISION	DATE	BY	DATE	BY
		DRAWN	06/05/23	RB
		CHEK'D		
1	HCN: 61438	15/10/16	ME	VERIF'D

CUSTOMER

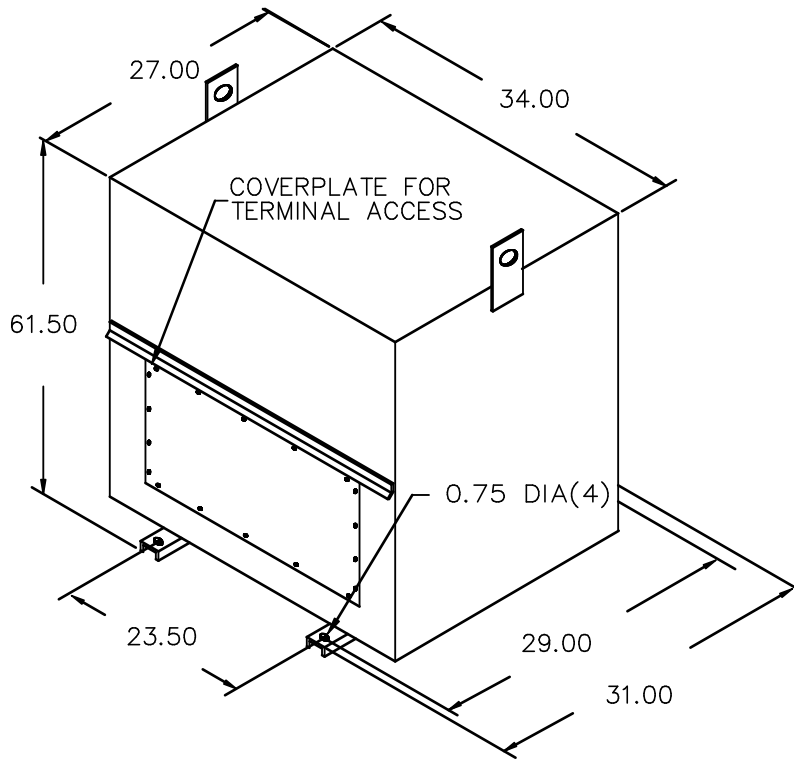
ORDER NO.

DWG. NO.

3F3Y112SSN4X

1

SH 1 OF 2



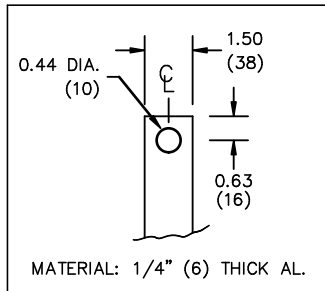
All Dimensions in inches

ENCLOSURE COLOR :304 STAINLESS STEEL #4 FINISH

H.V.1. TERMINAL DETAIL

L.V.1. TERMINAL DETAIL

MECHANICAL TYPE LUGS INCLUDED  
SUITABLE FOR 350MCM-6 CU/AL  
CONDUCTORS  
1 CONDUCTOR PER PHASE



CUSTOMER NOTES:

- HV1 TERMINATED AT TOP FRONT
- LV1 TERMINATED AT BOTTOM FRONT
- C/W STAINLESS STEEL NAMEPLATES

Confidential - Property of  
**Siemens Industry, Inc.**  
Building Technologies Division

REVISION	DATE	BY	DATE	BY	CUSTOMER
			DRAWN 06/05/23	RB	
			CHEK'D		
1	15/10/16	ME	VERIF'D		ORDER NO. 3F3Y112SSN4X
					DWG. NO. 3F3Y112SSN4X
					1
					SH 2 OF 2

1.1 messm 2015/10/16 13:33