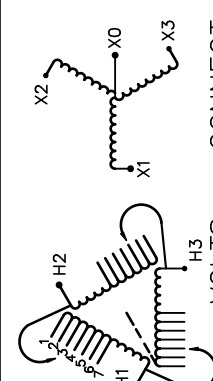




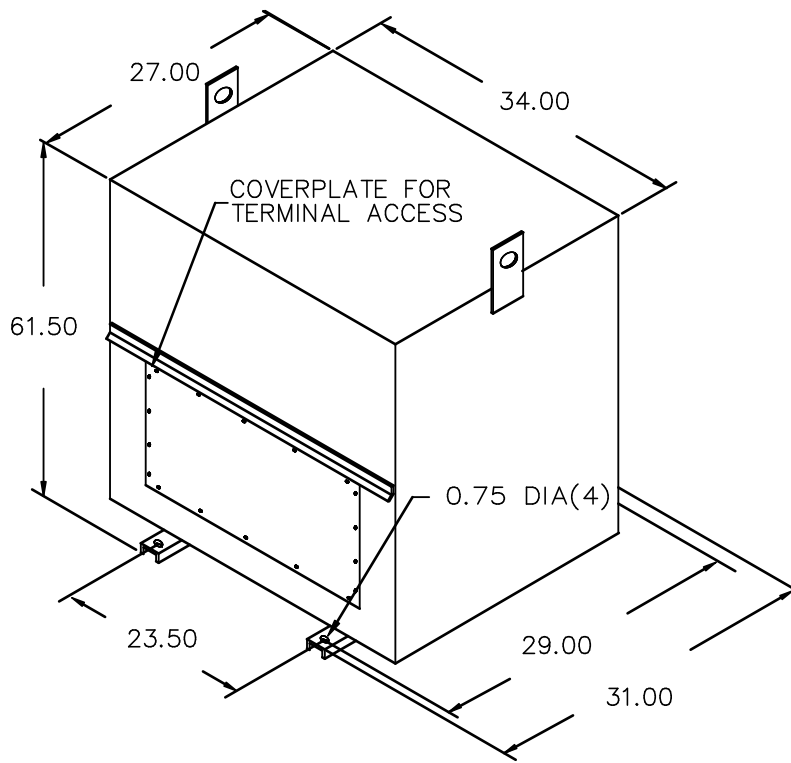
REVISION	DATE	BY	DATE	BY
		DRAWN	04/03/24	JW
		CHEK'D		
		VERIF'D		

Confidential - Property of <b>Siemens Industry, Inc.</b> Building Technologies Division	
CUSTOMER	
ORDER NO.	DWG. NO.
	3F3Y075FTE
	SH 1 OF 2

# SIEMENS

CATALOG NO. 3F3Y075FTE SERIAL NO. 75 kVA    60 Hz    3 PHASE 4 % IMP AT 135 °C  115 °C RISE    °C AVG. AMBIENT 220 °C TEMP CLASS    °C MAX. AMBIENT  PRIMARY ( H1 H2 H3 ) 480V V SECONDARY(X0 X1 X2 X3 ) 208Y/120V V  WINDING MATERIAL AL ENCLOSURE TYPE NEMA-4 WEIGHT 785 LBS ENERGY EFFICIENCY NEMA	 VOLTS 504 492 480 468 456 444 432  CONNECT 1 2 3 4 5 6 7	 <b>LISTED</b> DRY TYPE TRANSFORMER 7715 E112313 TYPE KN   VERIFIED Energy Performance Performance Énergétique VERIFIÉ SUITABLE FOR INDOOR OR OUTDOOR LOCATIONS BEFORE HANDLING, INSTALLING AND OPERATING, SEE INSTRUCTION MANUAL NEMA Class ANC Dry Type Transformer Siemens Industry, Inc. Norcross, GA
--	---	--





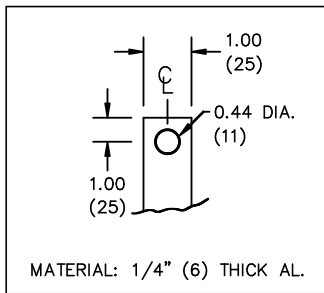
All Dimensions in inches

ENCLOSURE COLOR ANSI 61 GREY – OUTDOOR

H.V.1. TERMINAL DETAIL

L.V.1. TERMINAL DETAIL

MECHANICAL TYPE LUGS INCLUDED  
SUITABLE FOR 250MCM-6 CU/AL  
CONDUCTORS  
1 CONDUCTOR PER PHASE



CUSTOMER NOTES:

- HV1 TERMINATED AT TOP FRONT
- LV1 TERMINATED AT BOTTOM COIL FACE

Confidential – Property of  
**Siemens Industry, Inc.**  
Building Technologies Division

REVISION	DATE	BY	DATE	BY
		DRAWN	04/03/24	JW
		CHEK'D		
		VERIF'D		

CUSTOMER

ORDER NO.

DWG. NO.

3F3Y075FTE

SH 2 OF 2