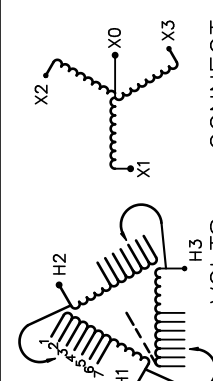

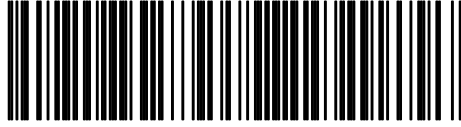


REVISION	DATE	BY	DATE	BY
		DRAWN	04/09/28	LR
		CHEK'D		
		VERIF'D		

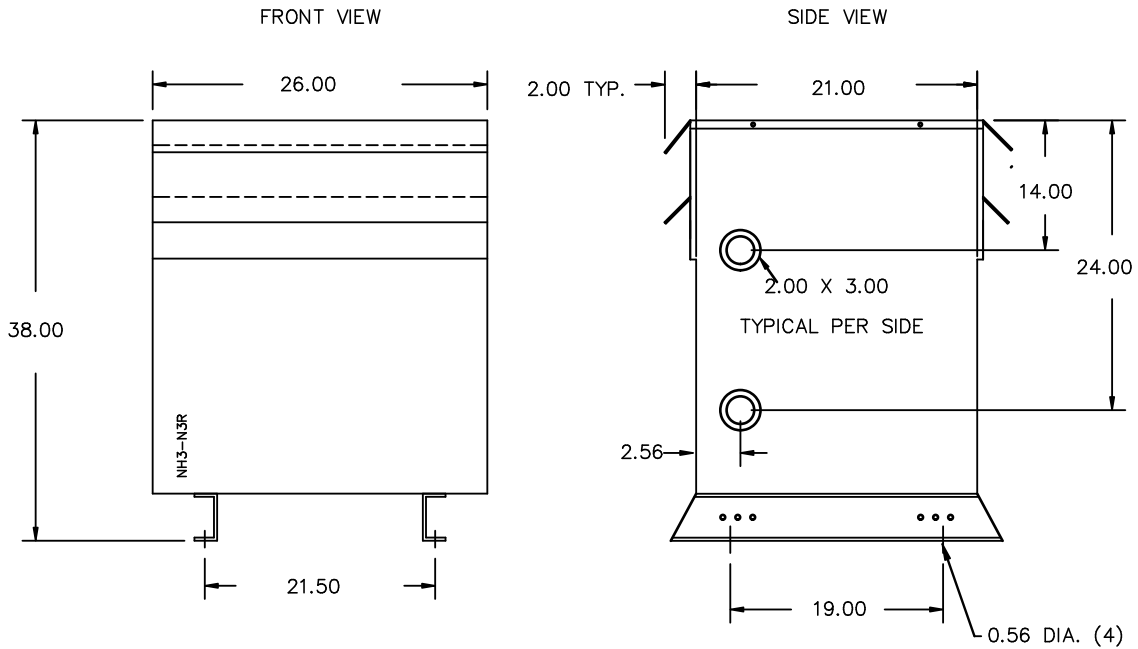
Confidential - Property of <b>Siemens Industry, Inc.</b> Building Technologies Division	
CUSTOMER	
ORDER NO.	DWG. NO.
	3F3Y075ESCTP1 SH 1 OF 2

# SIEMENS

CATALOG NO. 3F3Y075ESCTP1 SERIAL NO. 75 kVA    60 Hz    3 PHASE 4.9 % IMP AT 170 °C 150 °C RISE    °C AVG. AMBIENT 220 °C TEMP CLASS    °C MAX. AMBIENT PRIMARY ( H1 H2 H3 ) 480V V SECONDARY(X0 X1 X2 X3 ) 208Y/120V V WINDING MATERIAL    CU ENCLOSURE TYPE NEMA-3R    WEIGHT 700 LBS ENERGY EFFICIENCY NEMA    TP 1-2002	 <p style="text-align: center;">CONNECT</p> <p style="text-align: center;">1 2 3 4 5 6 7</p>	<p style="text-align: center;">VOLTS</p> <p style="text-align: center;">504 492 480 468 456 444 432</p>
SPACINGS BETWEEN ENCLOSURE AND ANY ADJACENT WALL SHALL BE A MINIMUM OF 6 INCHES ELECTROSTATIC SHIELD VERIFIED  VERIFIED SUITABLE FOR INDOOR OR OUTDOOR LOCATIONS BEFORE HANDLING, INSTALLING AND OPERATING, SEE INSTRUCTION MANUAL NEMA Class ANN Dry Type Transformer    Siemens Industry, Inc.    Norcross, GA		<p style="text-align: center;">TYPE K</p> <p style="text-align: center;">UL LISTED</p> <p style="text-align: center;">DRY TYPE TRANSFORMER 77105 E112313</p> <p style="text-align: center;">SP® LR 3902</p>



3F3Y075ESCTP1



All Dimensions in inches

ENCLOSURE COLOR :ANSI 61 GREY – OUTDOOR

H.V.1. TERMINAL DETAIL

L.V.1. TERMINAL DETAIL

MECHANICAL TYPE LUGS INCLUDED  
SUITABLE FOR #2/0-6 CU/AL  
CONDUCTORS  
1 CONDUCTOR PER PHASE

MECHANICAL TYPE LUGS INCLUDED  
SUITABLE FOR 600MCM-2 CU/AL  
CONDUCTORS  
1 CONDUCTOR PER PHASE

CUSTOMER NOTES:

- HV1 TERMINATED AT TOP FRONT
- LV1 TERMINATED AT BOTTOM FRONT

Confidential – Property of  
**Siemens Industry, Inc.**  
Building Technologies Division

REVISION	DATE	BY	DATE	BY
		DRAWN	04/09/28	LR
		CHEK'D		
		VERIF'D		

CUSTOMER	
ORDER NO.	DWG. NO. 3F3Y075ESCTP1
SH 2 OF 2	

0.2 jwen 2010/01/21 14:10