

SIEMENS

CATALOG NO. 3F3Y045CSSN4X

SERIAL NO.

45 kVA 60 Hz 3 PHASE

2.4 % IMP AT 170 °C

150 °C RISE 30 °C AVG. AMBIENT

220 °C TEMP CLASS 40 °C MAX. AMBIENT

PRIMARY (H1 H2 H3) 480 V

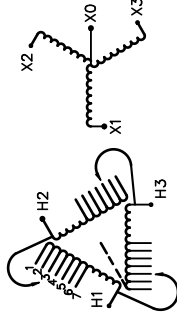
SECONDARY(X0 X1 X2 X3) 208Y/120 V

WINDING MATERIAL CU

ENCLOSURE TYPE 4X

WEIGHT 710 LBS

SPACINGS BETWEEN ANY ENCLOSURE PANEL AND ANY ADJACENT WALL SHALL BE A MINIMUM OF 3 INCHES



VOLTS	CONNECT
504	1
492	2
480	3
468	4
456	5
444	6
432	7

TYPE KN



DO NOT INSTALL IN AREAS ACCESSIBLE TO PUBLIC
NE PAS INSTALLER DANS DES ENDROITS ACCESSIBLES AU PUBLIC
SUITABLE FOR INDOOR OR OUTDOOR LOCATIONS
BEFORE HANDLING, INSTALLING AND OPERATING, SEE INSTRUCTION MANUAL

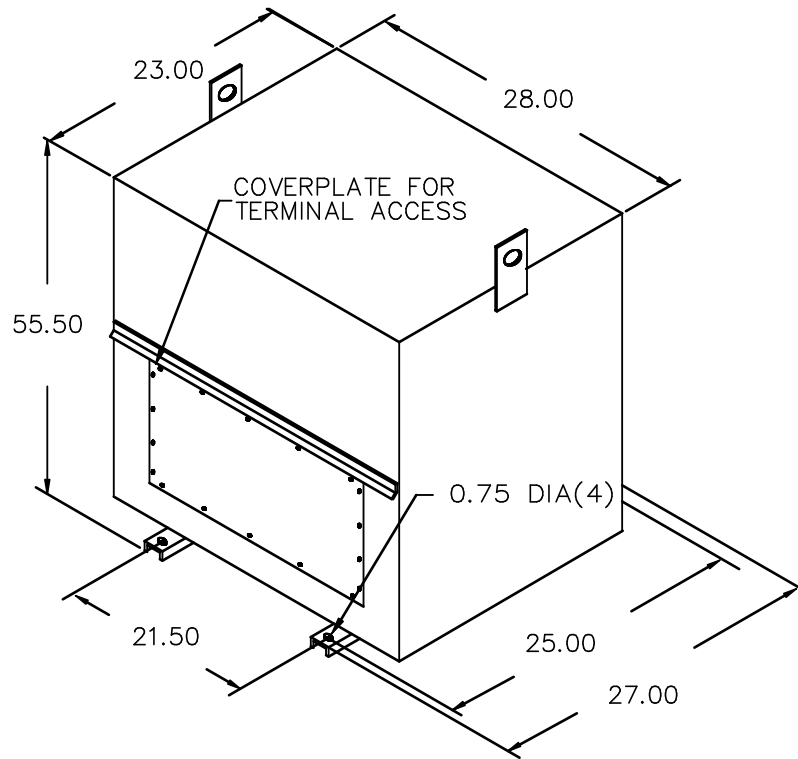
NEMA ClassANC Dry Type Transformer Siemens Industry, Inc. Norcross, GA

dwg00016



REVISION	DATE	BY	DATE	BY
		DRAWN	09/06/01	RM
		CHEK'D		
		VERIF'D		

Confidential – Property of Siemens Industry, Inc. Building Technologies Division		
CUSTOMER		
ORDER NO.	DWG. NO.	SH 1 OF 2
	3F3Y045CSSN4X	



All Dimensions in inches

ENCLOSURE COLOR :316 STAINLESS STEEL

H.V.1. TERMINAL DETAIL

L.V.1. TERMINAL DETAIL

MECHANICAL TYPE LUGS INCLUDED
SUITABLE FOR #2/0-14 CU/AL
CONDUCTORS
1 CONDUCTOR PER PHASE

MECHANICAL TYPE LUGS INCLUDED
SUITABLE FOR 600MCM-2 CU/AL
CONDUCTORS
1 CONDUCTOR PER PHASE

CUSTOMER NOTES:

- HV1 TERMINATED AT TOP FRONT
- LV1 TERMINATED AT BOTTOM FRONT
- C/W STAINLESS STEEL NAMEPLATES

Confidential – Property of
Siemens Industry, Inc.
Building Technologies Division

REVISION	DATE	BY	DATE	BY	CUSTOMER
			DRAWN 09/06/01	RM	
			CHEK'D		
			VERIF'D		
					ORDER NO.
					DWG. NO. 3F3Y045CSSN4X
					SH 2 OF 2