

ENERGY EFFICIENT GENERAL PURPOSE DISTRIBUTION ISOLATION TRANSFORMER

HV/HT

BIL

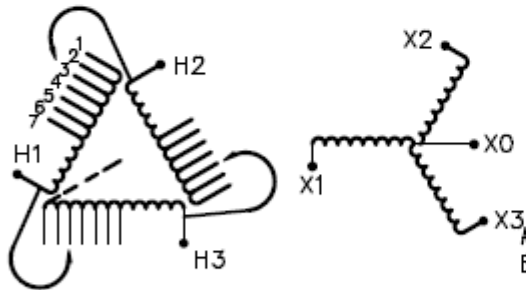
TERM. BORNES

VOLTS	CURRENT COURANT	% RATED VOLTAGE % TENSION NOMINALE	CONNECTION EACH PHASE CONNEXION PAR PHASE
504	34.4	105	1
492	35.2	102.5	2
480	36.1	100	3
468	37.0	97.5	4
456	38.0	95	5
444	39.0	92.5	6
432	40.1	90	7

LV/BT

BIL

TERM. BORNES



Cust. Ref.

Serial No.

Part No.

Phase

TYPE

Cooling Refroidissement

kVA

Temp. Rise Échauffement

Temp. Class Classe de Temp.

Frequency Fréquence

Impédance % @ 135 °C

Encl. Type Type de boîtier

Wt LBS Poids en lbs.

Winding Enroulement

Energy Regulations DOE 10 CFR PART 431

Reglements de Energetique CEE ACT SOR/94/651

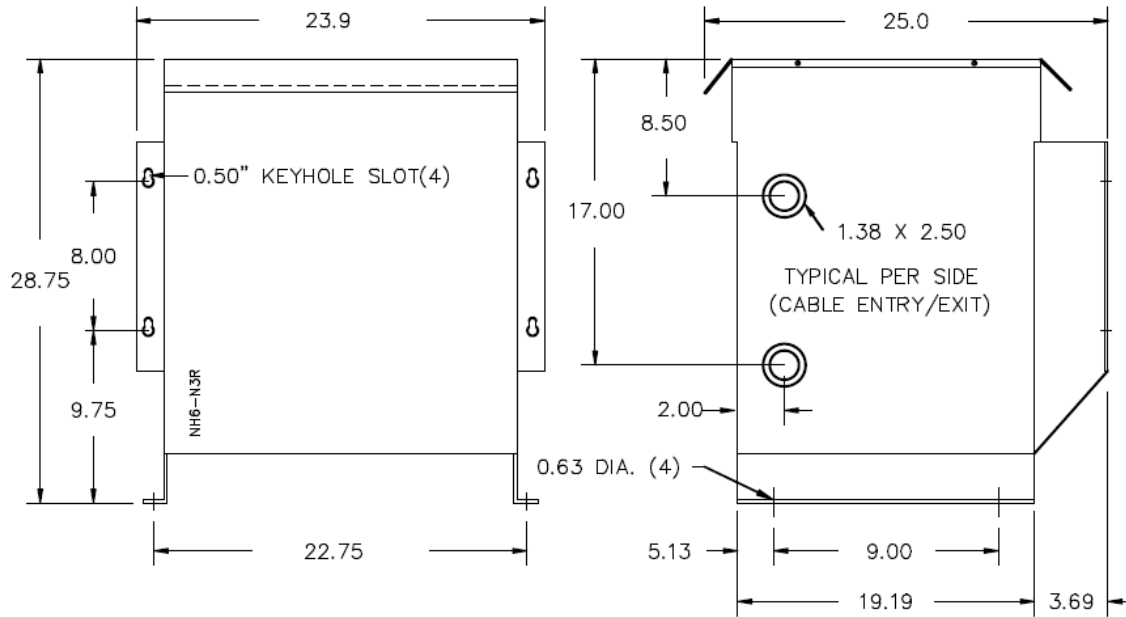
ALSO VERIFIED IN ACCORDANCE TO ENERGY STANDARD C802.2-12 BY UNDERWRITERS LABORATORIES INC. ® 3VJ6

SPACINGS BETWEEN ANY VENTILATED ENCLOSURE PANEL AND ANY ADJACENT WALL SHALL BE A MINIMUM OF 3 INCHES
SOUND LEVEL IS 5 DB LOWER THAN NEMA ST20 REQUIREMENTS

DO NOT INSTALL IN AREAS ACCESSIBLE TO PUBLIC
NE PAS INSTALLER DANS DES ENDROITS ACCESSIBLES AU PUBLIC

FRONT VIEW

SIDE VIEW



All Dimensions in inches

ENCLOSURE COLOR : ANSI 61 GREY – OUTDOOR

H.V.1. TERMINAL DETAIL

L.V.1. TERMINAL DETAIL

MECHANICAL TYPE LUGS INCLUDED
SUITABLE FOR #14-4 CU/AL
CONDUCTORS
1 CONDUCTOR PER PHASE

MECHANICAL TYPE LUGS INCLUDED
SUITABLE FOR #2/0-14 CU/AL
CONDUCTORS
1 CONDUCTOR PER PHASE