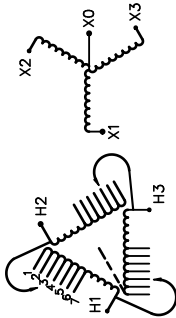


REVISION	DATE	BY	DATE	BY
		DRAWN	05/08/16	CY
1	HCN: 21032	07/03/13	CY	CHEK'D
2	HCN: 27751	13/07/10	RB	VERIF'D

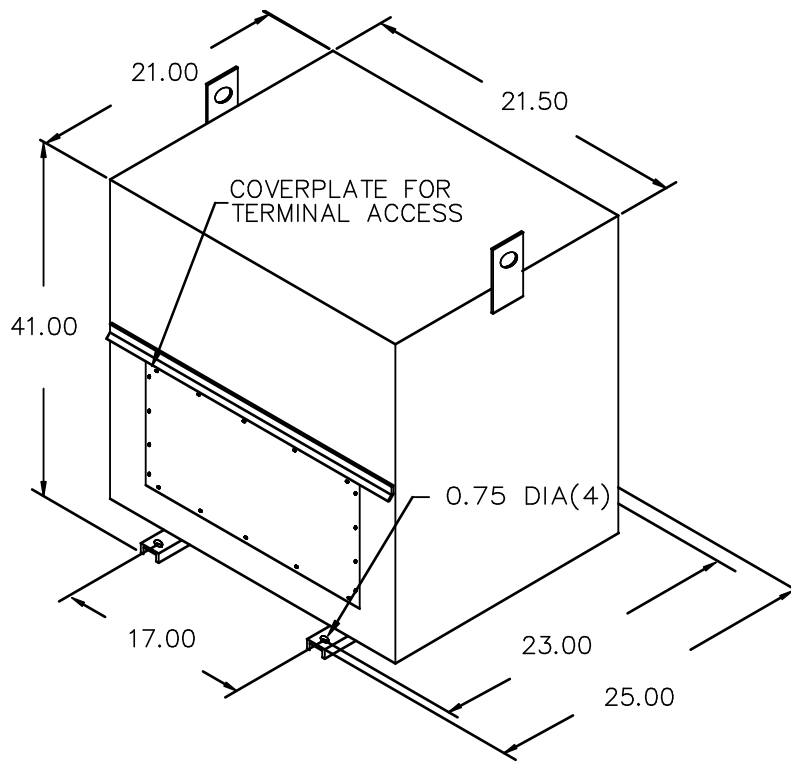
Confidential – Property of Siemens Industry, Inc. Building Technologies Division		
CUSTOMER		
ORDER NO.	DWG. NO.	2
	3F3Y015SSN4X	SH 1 OF 2

SIEMENS

<p>CATALOG NO. 3F3Y015SSN4X SERIAL NO. SERIES H 15 kVA 60 Hz 3 PHASE 3.4 % IMP AT 170 °C</p> <p>150 °C RISE 30 °C AVG. AMBIENT 220 °C TEMP CLASS 40 °C MAX. AMBIENT</p> <p>PRIMARY (H1 H2 H3) 480 V SECONDARY(X0 X1 X2 X3) 208Y/120 V</p> <p>WINDING MATERIAL AL ENCLOSURE TYPE NEMA-4X WEIGHT 330 LBS</p> <p>SPACINGS BETWEEN ENCLOSURE AND ANY ADJACENT WALL SHALL BE A MINIMUM OF 6 INCHES</p> <p style="text-align: center;">DO NOT INSTALL IN AREAS ACCESSIBLE TO PUBLIC NE PAS INSTALLER DANS DES ENDROITS ACCESSIBLES AU PUBLIC SUIVABLE POUR INTÉRIEUR OU EXTÉRIEUR BEFORE HANDLING, INSTALLING AND OPERATING, SEE INSTRUCTION MANUAL</p> <p style="text-align: center;">NEMA ClassA NC Dry Type Transformer Siemens Industry, Inc. Norcross, GA</p>	 <table style="width: 100%; border-collapse: collapse;"> <tr> <td style="text-align: right;">VOLTS</td> <td style="text-align: left;">CONNECT</td> </tr> <tr> <td style="text-align: right;">504</td> <td style="text-align: left;">1</td> </tr> <tr> <td style="text-align: right;">492</td> <td style="text-align: left;">2</td> </tr> <tr> <td style="text-align: right;">480</td> <td style="text-align: left;">3</td> </tr> <tr> <td style="text-align: right;">468</td> <td style="text-align: left;">4</td> </tr> <tr> <td style="text-align: right;">456</td> <td style="text-align: left;">5</td> </tr> <tr> <td style="text-align: right;">444</td> <td style="text-align: left;">6</td> </tr> <tr> <td style="text-align: right;">432</td> <td style="text-align: left;">7</td> </tr> </table> <p style="text-align: center;">TYPE KN</p> <p style="text-align: center;">DRY TYPE TRANSFORMER 771US E112313</p> <p style="text-align: center;">UL LISTED</p> <p style="text-align: center;">® LR 3902</p> <p style="text-align: right; font-size: small;">dau0001e</p>	VOLTS	CONNECT	504	1	492	2	480	3	468	4	456	5	444	6	432	7
VOLTS	CONNECT																
504	1																
492	2																
480	3																
468	4																
456	5																
444	6																
432	7																



3F3Y015SSN4X



All Dimensions in inches

ENCLOSURE COLOR :316 STAINLESS STEEL # 3 POLISH

H.V.1. TERMINAL DETAIL

L.V.1. TERMINAL DETAIL

MECHANICAL TYPE LUGS INCLUDED
SUITABLE FOR #14-2 CU/AL
CONDUCTORS
1 CONDUCTOR PER PHASE

MECHANICAL TYPE LUGS INCLUDED
SUITABLE FOR #2/0-6 CU/AL
CONDUCTORS
1 CONDUCTOR PER PHASE

CUSTOMER NOTES:

- HV1 TERMINATED AT TOP FRONT
- LV1 TERMINATED AT BOTTOM FRONT

Confidential – Property of
Siemens Industry, Inc.
Building Technologies Division

REVISION	DATE	BY	DATE	BY
			05/08/16	CY
1	07/03/13	CY	CHEK'D	
2	13/07/10	RB	VERIF'D	

CUSTOMER		
ORDER NO.	DWG. NO.	2
	3F3Y015SSN4X	SH 2 OF 2

2.0 rbhatia 2013/07/12 11:28