

# SIEMENS

CATALOG NO. 3F3Y015CSSN4X

SERIAL NO. SERIES H

15 kVA 60 Hz 3 PHASE

5.9 % IMP AT 170 °C

150 °C RISE 30 °C AVG. AMBIENT

220 °C TEMP CLASS 40 °C MAX. AMBIENT

PRIMARY ( H1 H2 H3 ) 480 V

SECONDARY(X0 X1 X2 X3 ) 208Y/120 V

WINDING MATERIAL CU

ENCLOSURE TYPE 4X

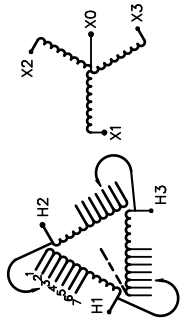
WEIGHT 275 LBS

SPACINGS BETWEEN ENCLOSURE PANEL AND ANY ADJACENT WALL SHALL BE A MINIMUM OF 3 INCHES

DO NOT INSTALL IN AREAS ACCESSIBLE TO PUBLIC

SUITABLE FOR INDOOR OR OUTDOOR LOCATIONS BEFORE HANDLING, INSTALLING AND OPERATING, SEE INSTRUCTION MANUAL

NEMA ClassANC Dry Type Transformer Siemens Industry,Inc. Norcross, GA



VOLTS	CONNECT
504	1
492	2
480	3
468	4
456	5
444	6
432	7

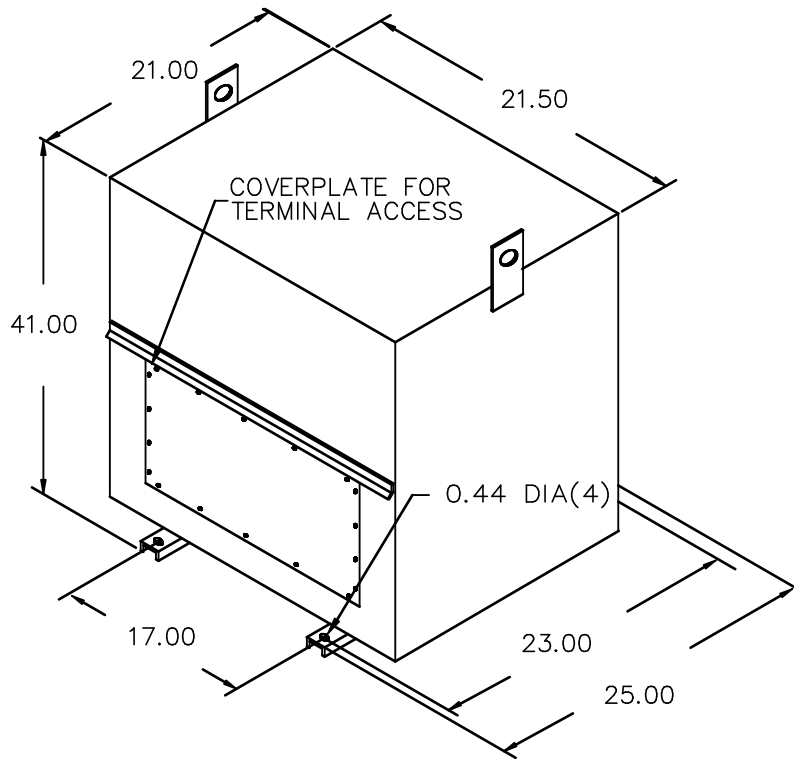
TYPE KN



REVISION	DATE	BY	DATE	BY
1	12/08/29	RM	07/11/12	RM
2	15/12/15	RM		

Confidential – Property of Siemens Industry, Inc.

CUSTOMER		
ORDER NO.	DWG. NO.	2
	3F3Y015CSSN4X	SH 1 OF 2



All Dimensions in inches

ENCLOSURE COLOR :316 STAINLESS STEEL # 3 POLISH

H.V.1. TERMINAL DETAIL

L.V.1. TERMINAL DETAIL

MECHANICAL TYPE LUGS INCLUDED  
SUITABLE FOR #14-2 CU/AL  
CONDUCTORS  
1 CONDUCTOR PER PHASE

MECHANICAL TYPE LUGS INCLUDED  
SUITABLE FOR #14-2 CU/AL  
CONDUCTORS  
1 CONDUCTOR PER PHASE

CUSTOMER NOTES:

- HV1 TERMINATED AT TOP FRONT
- LV1 TERMINATED AT BOTTOM FRONT

Confidential – Property of  
Siemens Industry, Inc.

REVISION	DATE	BY	DATE	BY	CUSTOMER
			DRAWN 07/11/12	RM	
1	HCN: 27751	12/08/29	RM	CHEK'D	ORDER NO.
2	HCN: 62048	15/12/15	RM	VERIF'D	DWG. NO. 3F3Y015CSSN4X

2  
SH 2 OF 2