

SIEMENS

CATALOG NO. 3F3Y300ESCLN3D16CC

SERIAL NO. SERIES H

300 kVA 60 Hz 3 PHASE

3.9 % IMP AT 170 °C

150 °C RISE 30 °C AVG. AMBIENT

220 °C TEMP CLASS 40 °C MAX. AMBIENT

PRIMARY (H1 H2 H3) 480V V 10 kV BIL

SECONDARY(X0 X1 X2 X3) 208Y/120V V 10 kV BIL

WINDING MATERIAL CU

ENCLOSURE TYPE - WEIGHT 1700 LBS

ENERGY EFFICIENCY EXCEEDS CSA DOE 10 CFR PART 431:2016

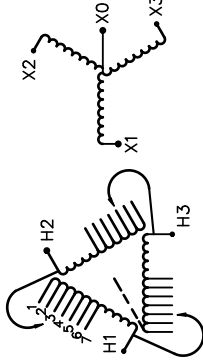
ELECTROSTATIC SHIELD

SOUND LEVEL IS 3 DB LOWER THAN NEMA ST20 REQUIREMENTS

SUITABLE FOR INDOOR OR OUTDOOR LOCATIONS
BEFORE HANDLING, INSTALLING AND OPERATING, SEE INSTRUCTION MANUAL

NEMA Class AN Dry Type Transformer

Siemens Industry, Inc. Norcross, GA



VOLTS	CONNECT
504	1
492	2
480	3
468	4
456	5
444	6
432	7

TYPE J



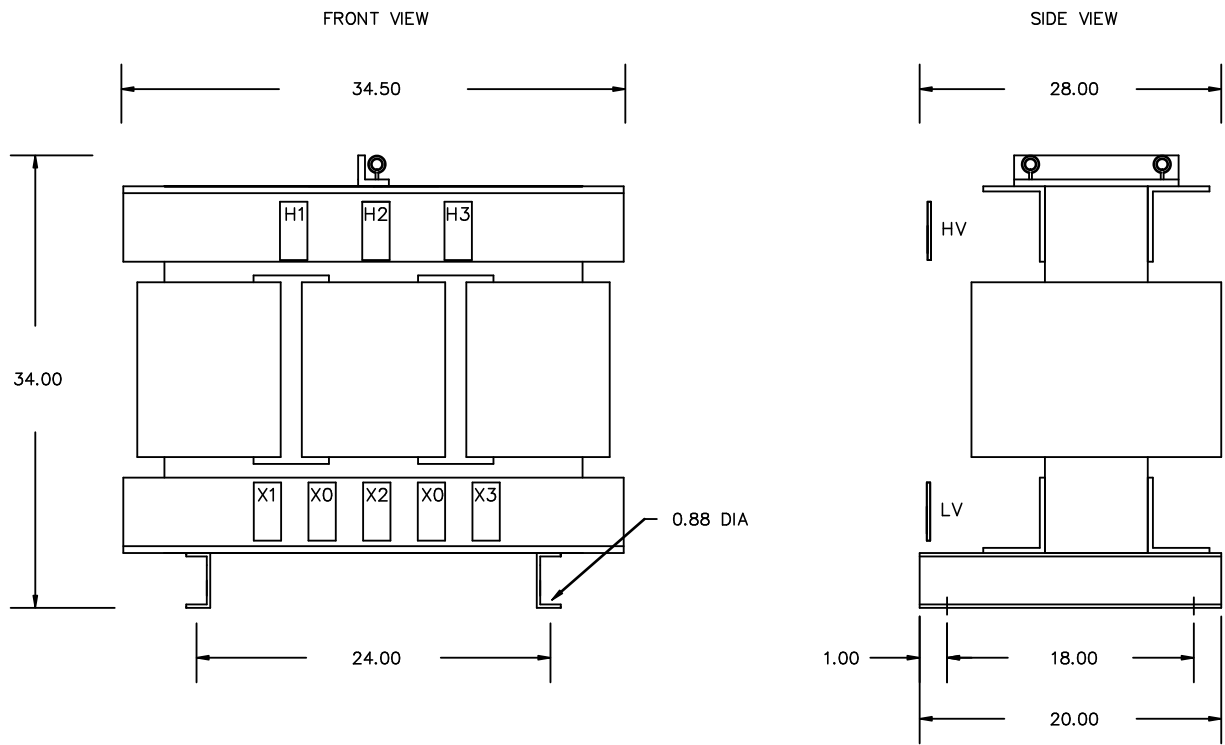
SEISMIC QUALIFICATIONS, FLOOR MOUNT ONLY
IBC 2012/ASCE 7-10
SDS<=2.0g Z/h=1 Ip=1.5

3F3Y300ESCLN3D16CC



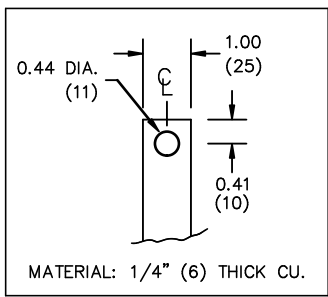
REVISION	DATE	BY	DATE	BY
		DRAWN	16/01/21	PP
		CHEK'D		
		VERIF'D		

Confidential - Property of Siemens Industry, Inc.	
CUSTOMER	
ORDER NO.	DWG. NO. 3F3Y300ESCLN3D16CC SH 1 OF 2

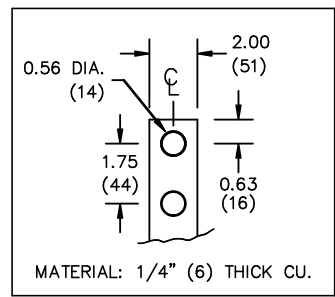


All Dimensions in inches

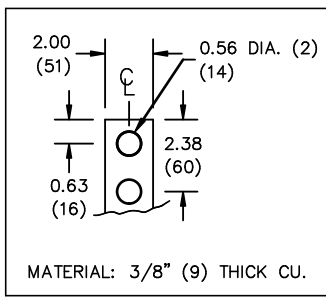
H.V.1. TERMINAL DETAIL



L.V.1. TERMINAL DETAIL



X0 TERMINAL DETAIL



CUSTOMER NOTES:

- HV1 TERMINATED AT TOP FRONT
- LV1 TERMINATED AT BOTTOM FRONT
- X0 TERMINATED AT BOTTOM FRONT
- DIMENSIONS ARE APPROXIMATE
- X0 HAS QTY 2 PADS. DIVIDE CABLES EVENLY ON BOTH PADS

Confidential – Property of
Siemens Industry, Inc.

REVISION	DATE	BY	DATE	BY
			DRAWN 16/01/21	PP
			CHEK'D	
			VERIF'D	

CUSTOMER	
ORDER NO.	DWG. NO. 3F3Y300ESCLN3D16CC SH 2 OF 2

0.3 ppicassinos 2016/01/21 16:28