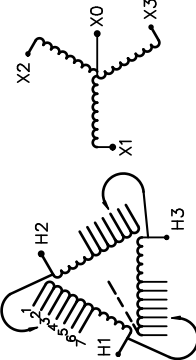



REVISION	DATE	BY	DATE	BY
			16/02/24	PP

Confidential - Property of Siemens Industry, Inc.	
CUSTOMER	
ORDER NO.	DWG. NO.
	3F3Y300D16CC
	SH 1 OF 2

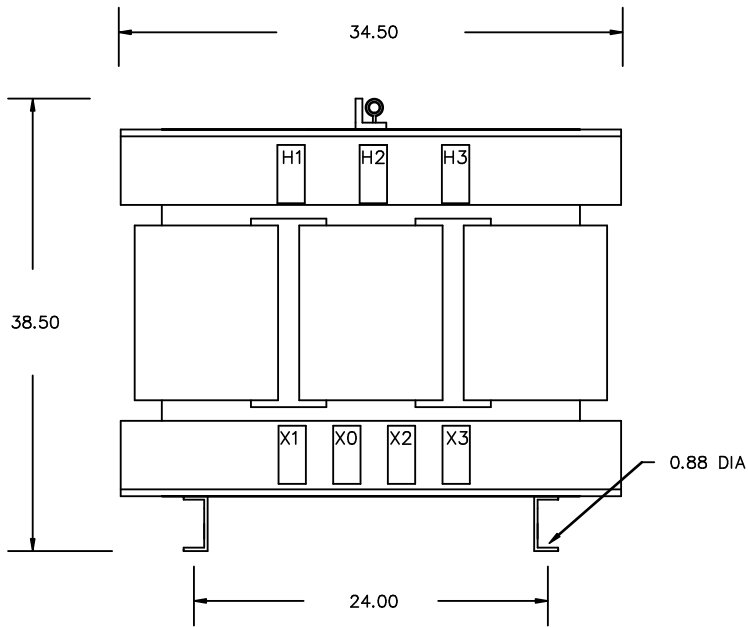
SIEMENS

<p>CATALOG NO. 3F3Y300D16CC</p> <p>SERIAL NO.</p> <p>300 kVA 60 Hz 3 PHASE</p> <p>4.7 % IMP AT 170 °C</p> <p>150 °C RISE 30 °C AVG. AMBIENT</p> <p>220 °C TEMP CLASS 40 °C MAX. AMBIENT</p> <p>PRIMARY (H1 H2 H3) 480V V 10 kV BIL</p> <p>SECONDARY(X0 X1 X2 X3) 208Y/120V V 10 kV BIL</p> <p>WINDING MATERIAL AL</p> <p>ENCLOSURE TYPE - WEIGHT 1750 LBS</p> <p>ENERGY EFFICIENCY EXCEEDS CSA DOE 10 CFR PART 431:2016 C802.2-2012</p>	<p style="text-align: center;">  </p> <p style="text-align: center;">VOLTS CONNECT</p> <table style="margin-left: auto; margin-right: auto;"> <tr><td>504</td><td>1</td></tr> <tr><td>492</td><td>2</td></tr> <tr><td>480</td><td>3</td></tr> <tr><td>468</td><td>4</td></tr> <tr><td>456</td><td>5</td></tr> <tr><td>444</td><td>6</td></tr> <tr><td>432</td><td>7</td></tr> </table>	504	1	492	2	480	3	468	4	456	5	444	6	432	7	<p style="text-align: center;">TYPE J</p> <p style="text-align: center;">  </p> <p>SEISMIC QUALIFICATIONS, FLOOR MOUNT ONLY IBC 2012/ASCE 7-10 z/h=1 Ip=1.5 SDS<=2.0g</p>
504	1															
492	2															
480	3															
468	4															
456	5															
444	6															
432	7															
<p>SUITABLE FOR INDOOR OR OUTDOOR LOCATIONS BEFORE HANDLING, INSTALLING AND OPERATING, SEE INSTRUCTION MANUAL</p> <p>NEMA Class AN Dry Type Transformer Siemens Industry, Inc. Norcross, GA <small>dsu0086e</small></p>																

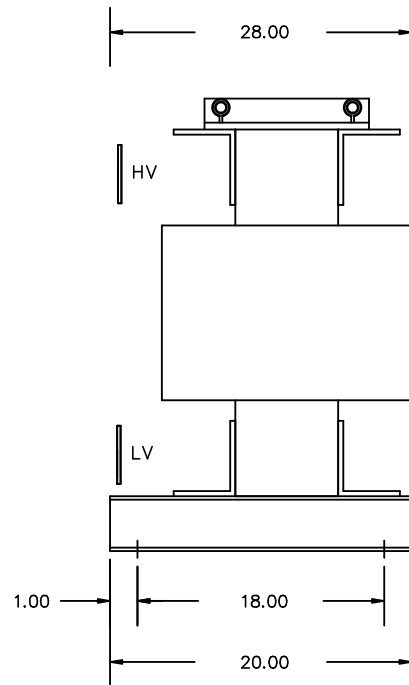


3F3Y300D16CC

FRONT VIEW

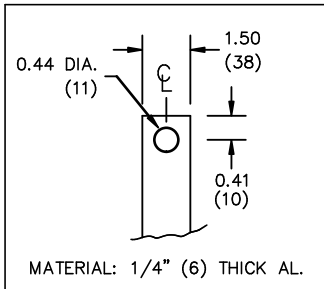


SIDE VIEW

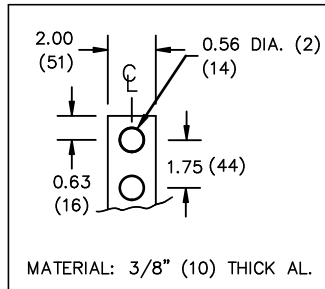


All Dimensions in inches

H.V.1. TERMINAL DETAIL



L.V.1. TERMINAL DETAIL



CUSTOMER NOTES:

- HV1 TERMINATED AT TOP FRONT
- LV1 TERMINATED AT BOTTOM FRONT
- DIMENSIONS ARE APPROXIMATE

Confidential - Property of
Siemens Industry, Inc.

REVISION	DATE	BY	DATE	BY
		DRAWN	16/02/24	PP
		CHEK'D		
		VERIF'D		

CUSTOMER	
ORDER NO.	DWG. NO. 3F3Y300D16CC
SH 2 OF 2	