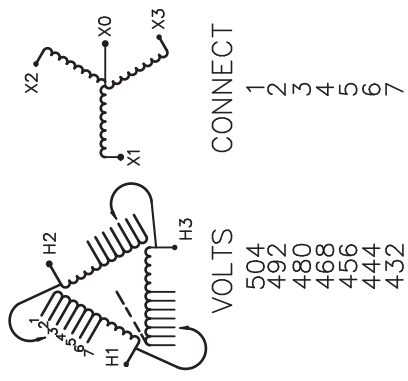



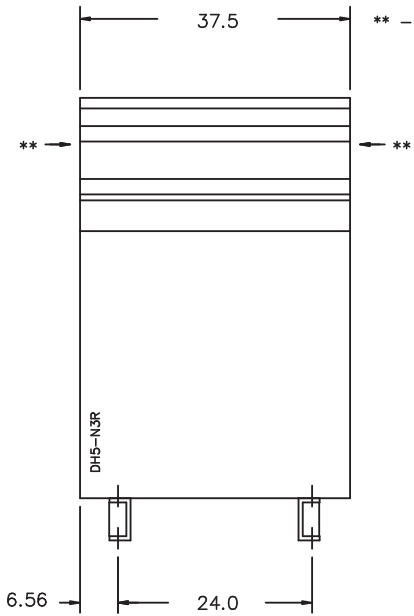
REVISION	DATE	BY	DATE	BY
			16/04/01	PP
1	CHANGED IMP.& TOT.WEIGHT:	16/08/03	RM	VERIF'D

Confidential - Property of Siemens Industry, Inc.		
CUSTOMER		
ORDER NO.	DWG. NO.	1
	3F3Y225K4BCD16	SH 1 OF 2

SIEMENS

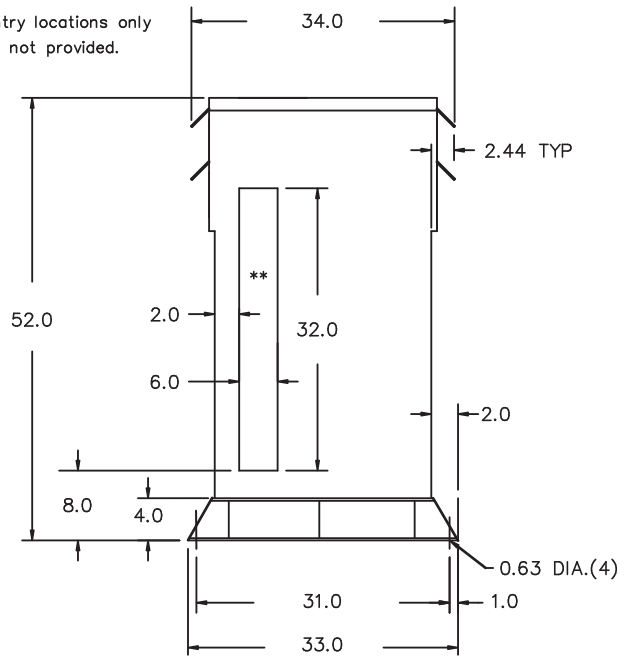
<p>CATALOG NO. 3F3Y225K4BCD16</p> <p>SERIAL NO. SERIES H</p> <p>225 kVA 60 Hz 3 PHASE</p> <p>4.3 % IMP AT 100 °C</p> <p>80 °C RISE 30 °C AVG. AMBIENT</p> <p>220 °C TEMP CLASS 40 °C MAX. AMBIENT</p> <p>PRIMARY (H1 H2 H3) 480 V 10 kV BIL</p> <p>SECONDARY(X0 X1 X2 X3) 208Y/120 V 10 kV BIL</p> <p>WINDING MATERIAL CU</p> <p>ENCLOSURE TYPE 3R WEIGHT 2050LBS</p> <p>ENERGY EFFICIENCY EXCEEDS CSA C802.2-2012 DOE 10 CFR PART 431:2016</p> <p>SPACINGS BETWEEN ANY VENTILATED ENCLOSURE PANEL AND ANY ADJACENT WALL SHALL BE A MINIMUM OF 5 INCHES EXCEPT WHEN WALL MOUNTED USING APPROVED WALL MOUNTING KIT ELECTROSTATIC SHIELD</p> <p>SUITABLE FOR NONSINUSOIDAL CURRENT LOAD WITH K-FACTOR NOT TO EXCEED K-4 SUITABLE FOR INDOOR OR OUTDOOR LOCATIONS BEFORE HANDLING, INSTALLING AND OPERATING; SEE INSTRUCTION MANUAL</p> <p>NEMA Class ANN Dry Type Transformer</p>	 <p>TYPE K</p> <p>DRY TYPE TRANSFORMER 77UL5 E112313</p> <p>LISTED</p> <p>SEISMIC QUALIFICATIONS, FLOOR MOUNT ONLY OSP-0136-10 IBC 2012/ASCE 7-10 SDS<=2.0g z/h=1 p=1.5</p>	
Siemens Industry, Inc. Norcross, GA <small>dsu0087e</small>		

FRONT VIEW



** - Recommended cable entry locations only
cutouts & gland plates not provided.

SIDE VIEW



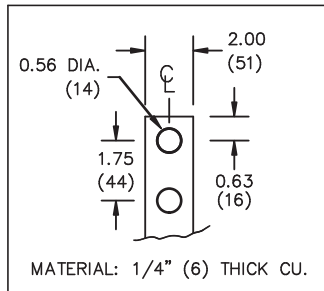
All Dimensions in inches

ENCLOSURE COLOR : ANSI 61 GREY - OUTDOOR

H.V.1. TERMINAL DETAIL

L.V.1. TERMINAL DETAIL

MECHANICAL TYPE LUGS INCLUDED
SUITABLE FOR 350MCM-6 CU/AL
CONDUCTORS
2 CONDUCTORS PER PHASE



CUSTOMER NOTES:

- HV1 TERMINATED AT TOP FRONT
- LV1 TERMINATED AT BOTTOM FRONT
- 2 X 100% RATED NEUTRAL PROVIDED

Confidential - Property of
Siemens Industry, Inc.

REVISION	DATE	BY	DATE	BY
			16/04/01	PP
				CHEK'D
1	16/08/03	RM		VERIF'D

CUSTOMER		
ORDER NO.	DWG. NO.	1
	3F3Y225K4BCD16	SH 2 OF 2

1:1 rmova 2016/08/03 15:30