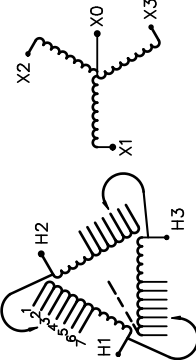



REVISION	DATE	BY	DATE	BY
			16/03/24	PP

Confidential - Property of Siemens Industry, Inc.	
CUSTOMER	
ORDER NO.	DWG. NO.
	3F3Y150FCD16CC
	SH 1 OF 2

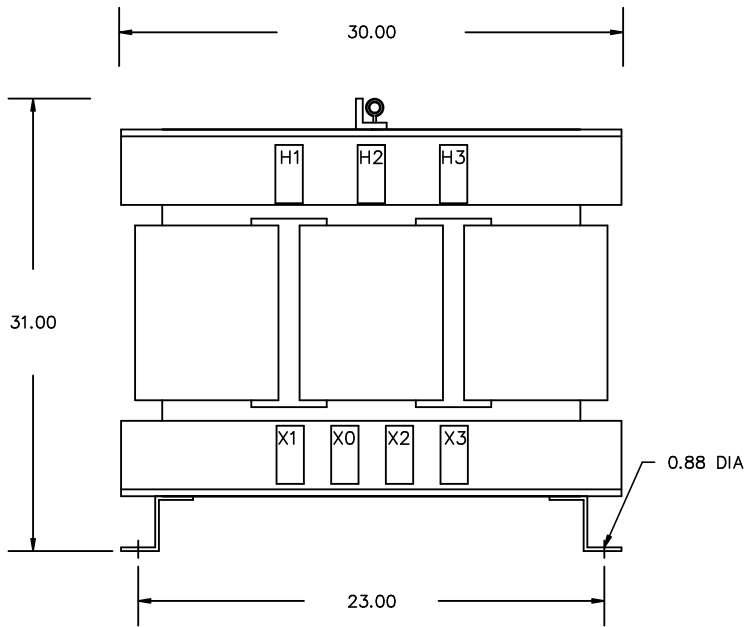
SIEMENS

CATALOG NO. 3F3Y150FCD16CC SERIAL NO. 150 kVA 60 Hz 3 PHASE 2.4 % IMP AT 135 °C 115 °C RISE 30 °C AVG. AMBIENT 220 °C TEMP CLASS 40 °C MAX. AMBIENT PRIMARY (H1 H2 H3) 480V V 10 kV BIL SECONDARY(X0 X1 X2 X3) 208Y/120V V 10 kV BIL WINDING MATERIAL CU ENCLOSURE TYPE - WEIGHT 1300 LBS ENERGY EFFICIENCY EXCEEDS CSA DOE 10 CFR PART 431:2016 C802.2-2012	 <p style="text-align: center;">VOLTS CONNECT</p> <table style="margin-left: auto; margin-right: auto;"> <tr><td>504</td><td>1</td></tr> <tr><td>492</td><td>2</td></tr> <tr><td>480</td><td>3</td></tr> <tr><td>468</td><td>4</td></tr> <tr><td>456</td><td>5</td></tr> <tr><td>444</td><td>6</td></tr> <tr><td>432</td><td>7</td></tr> </table>	504	1	492	2	480	3	468	4	456	5	444	6	432	7	<p style="text-align: center;">TYPE J</p>  <p style="text-align: center;">SEISMIC QUALIFICATIONS, FLOOR MOUNT ONLY IBC 2012/ASCE 7-10 SDS<=2.0g Z/h=1 Ip=1.5</p> <p style="text-align: right; font-size: small;">dsu0088e</p>
504	1															
492	2															
480	3															
468	4															
456	5															
444	6															
432	7															
SUITABLE FOR INDOOR OR OUTDOOR LOCATIONS BEFORE HANDLING, INSTALLING AND OPERATING, SEE INSTRUCTION MANUAL NEMA Class AN Dry Type Transformer																

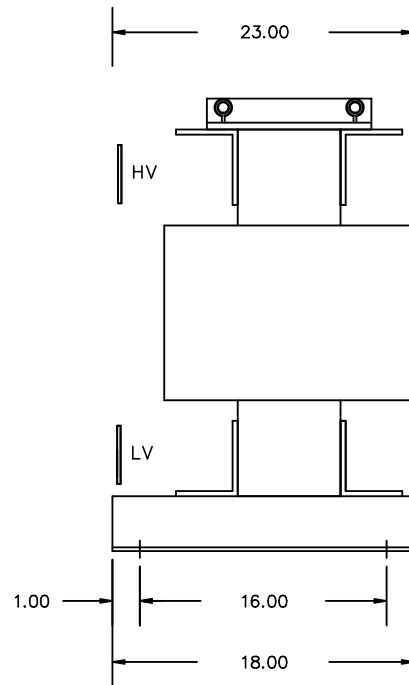


3F3Y150FCD16CC

FRONT VIEW



SIDE VIEW

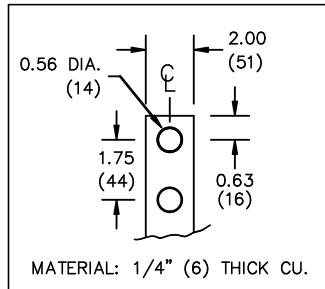


All Dimensions in inches

H.V.1. TERMINAL DETAIL

L.V.1. TERMINAL DETAIL

MECHANICAL TYPE LUGS INCLUDED
SUITABLE FOR 350MCM-6 CU/AL
CONDUCTORS
2 CONDUCTORS PER PHASE



CUSTOMER NOTES:

- HV1 TERMINATED AT TOP FRONT
- LV1 TERMINATED AT BOTTOM FRONT
- DIMENSIONS ARE APPROXIMATE

Confidential - Property of
Siemens Industry, Inc.

REVISION	DATE	BY	DATE	BY
		DRAWN	16/03/24	PP
		CHEK'D		
		VERIF'D		

CUSTOMER	
ORDER NO.	DWG. NO. 3F3Y150FCD16CC
SH 2 OF 2	