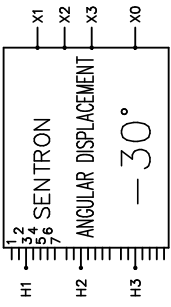




REVISION	DATE	BY	DATE	BY
			16/03/01	LC

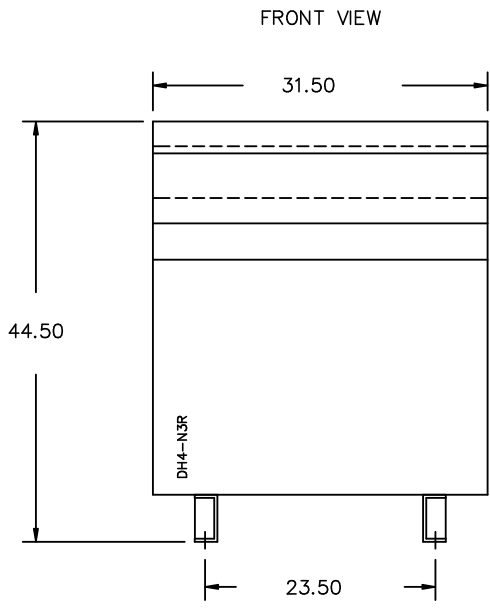
Confidential - Property of Siemens Industry, Inc.	
CUSTOMER	
ORDER NO.	DWG. NO.
	3F3Y150CHD130
	SH 1 OF 2

SIEMENS

<p>CATALOG NO. 3F3Y150CHD130</p> <p>SERIAL NO. SERIES H</p> <p>150 kVA 60 Hz 3 PHASE</p> <p>4.3 % IMP AT 150 °C</p> <p>150 °C RISE 30 °C AVG. AMBIENT</p> <p>220 °C TEMP CLASS 40 °C MAX. AMBIENT</p> <p>PRIMARY (H1 H2 H3) 480Y V 10 kV BIL</p> <p>SECONDARY (X1 X2 X3) 208Y/120V V 10 kV BIL</p> <p>NEUTRAL () V</p> <p>(X0(200%))</p> <p>WINDING MATERIAL CU</p> <p>ENCLOSURE TYPE 3R WEIGHT 1410 LBS</p> <p>ENERGY EFFICIENCY EXCEEDS NEMA TPI-2002 DOE 10 CFR PART 431:2016</p> <p>SPACINGS BETWEEN ANY VENTILATED ENCLOSURE PANEL AND ANY ADJACENT WALL SHALL BE A MINIMUM OF 5 INCHES EXCEPT WHEN WALL MOUNTED USING APPROVED WALL MOUNTING KIT ELECTROSTATIC SHIELD</p> <p>SUITABLE FOR INDOOR OR OUTDOOR LOCATIONS BEFORE HANDLING, INSTALLING AND OPERATING; SEE INSTRUCTION MANUAL</p> <p>NEMA Class ANN Dry Type Harmonic Mitigating Transformer Siemens Industry, Inc. Norcross, GA 68u0703e</p>	 <p>ANGULAR DISPLACEMENT -30°</p> <p>VOLTS CONNECT</p> <table style="width: 100%;"> <tr><td>504</td><td>1</td></tr> <tr><td>492</td><td>2</td></tr> <tr><td>480</td><td>3</td></tr> <tr><td>468</td><td>4</td></tr> <tr><td>456</td><td>5</td></tr> <tr><td>444</td><td>6</td></tr> <tr><td>432</td><td>7</td></tr> </table>	504	1	492	2	480	3	468	4	456	5	444	6	432	7	<p>TYPE K</p>  <p>LISTED</p>  <p>DRY TYPE TRANSFORMER E112313 LR 3902</p> <p>SEISMIC QUALIFICATIONS, FLOOR MOUNT ONLY OSP-0136-10 IBC 2012/ASCE 7-10 SDS<=2.0g z/h=1 p=1.5</p>
504	1															
492	2															
480	3															
468	4															
456	5															
444	6															
432	7															



3F3Y150CHD130



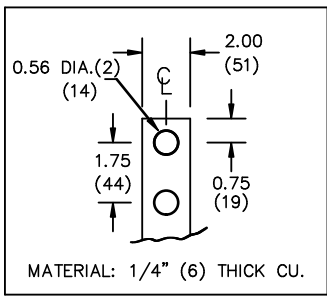
All Dimensions in inches

ENCLOSURE COLOR :ANSI 61 GREY – OUTDOOR

H.V.1. TERMINAL DETAIL

L.V.1. TERMINAL DETAIL

MECHANICAL TYPE LUGS INCLUDED
SUITABLE FOR 600MCM-2 CU/AL
CONDUCTORS
1 CONDUCTOR PER PHASE



CUSTOMER NOTES:

- HV1 TERMINATED AT BOTTOM FRONT
- LV1 TERMINATED AT TOP FRONT
- 200% RATED NEUTRAL,4-600MCM-#4, TERMINATED AT TOP FRONT

Confidential – Property of
Siemens Industry, Inc.

REVISION	DATE	BY	DATE	BY
		DRAWN	16/03/01	LC
		CHEK'D		
		VERIF'D		

CUSTOMER	
ORDER NO.	DWG. NO.
	3F3Y150CHD130
	SH 2 OF 2

0-4 Icen 2016/03/01 14:42